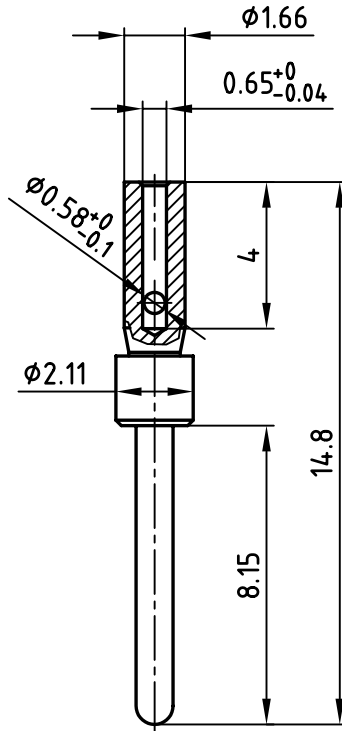


used for: D-SUB



APPROVAL # FREIGABE # DEBLOCAGE # AUTORIZACION # APPROVAL	
CUSTOMER APPROVAL DATE:	
NAME:	TITLE:
COMPANY NAME:	
APPROVAL # FREIGABE # DEBLOCAGE # AUTORIZACION # APPROVAL	

**Notes:**

Material: brass  
 Finish: hard-gold-plated in the contact area  
 Temperature range: -55°C to +125°C  
 Rated current: 5.0A  
 Contact resistance: <= 10mOhm

THIS DRAWING MAY NOT BE COPIED OR REPRODUCED IN ANY WAY, AND MAY NOT BE PASSED ON TO A THIRD PARTY WITHOUT WRITTEN PERMISSION.  
 OWNERSHIP AND COPYRIGHT OF CONEC GmbH  
 DO NOT ALTER CAD DRAWING BY HAND

tolerance				scale: 5:1
			dim. in mm	material: SEE NOTES
2003	date	name		title: <b>CRIMP PLUG CONTACT</b> screw machined version accepts cable AWG 28-24
drawn	04.06.	Lehmenkühler		
appd.	10.06.	Kühle		
norm				
d-old				
rev.	description	date	name	dwg no: AutoCAD 2000
				DIN-A
				4
part no: 161A18309X				sh: 1/1



**CRIMP PLUG CONTACT**  
 screw machined version  
 accepts cable AWG 28-24

dwg no: AutoCAD 2000  
 16K1A968  
 part no: 161A18309X