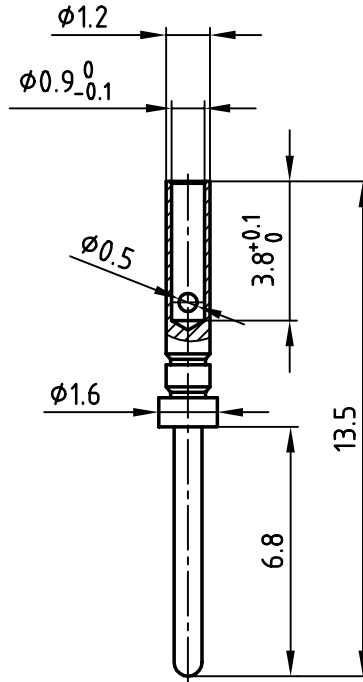


used for: D-SUB HD



**NOTES:**

1. CONTACTS: BRASS
2. PLATING: min. 30 $\mu$ " HARD GOLD OVER min. 50 $\mu$ " NICKEL
3. ACCEPTS CABLE AWG 22

Directive 2002/95/EC  
"RoHS"  
Compliant

THIS DRAWING MAY NOT BE COPIED OR REPRODUCED IN ANY WAY, AND MAY NOT BE PASSED ON TO A THIRD PARTY WITHOUT WRITTEN PERMISSION. OWNERSHIP AND COPYRIGHT OF CONEC GmbH DO NOT ALTER CAD DRAWING BY HAND

CONEC CORPORATION BRAMPTON, ONTARIO		
2001	date	name
drawn	19.02.	Parei
appd.	19.02.	E. Mickenbecker
norm		
d-old		
rev.	description	date name

tolerance  
ISO 2768-m

scale:	5:1	
material:	SEE NOTES	
title:	HD CRIMP CONTACT	
dwg no:	AutoCAD 2000	DIN-A
	16K1A138A	4
		sh: 1/1
part no:	161C18009X	

F  
E  
D  
C  
B  
A

F  
E  
D  
C  
B  
A

4 3 2 1

4 3 2 1