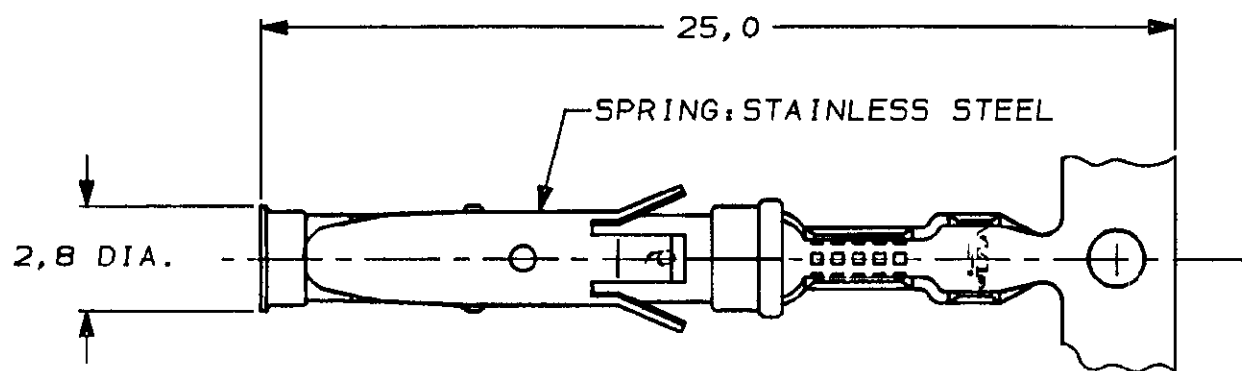
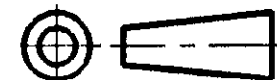


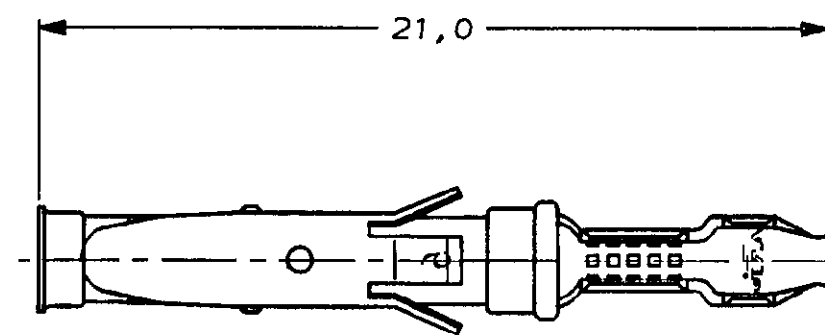
DO NOT SCALE  
DIMENSIONS IN mm

METRIC

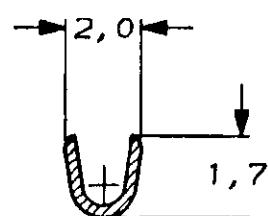
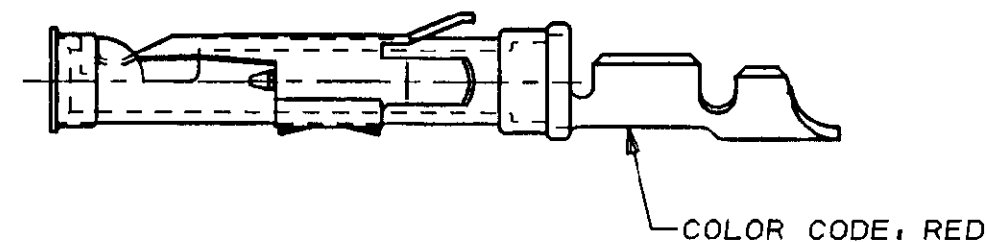
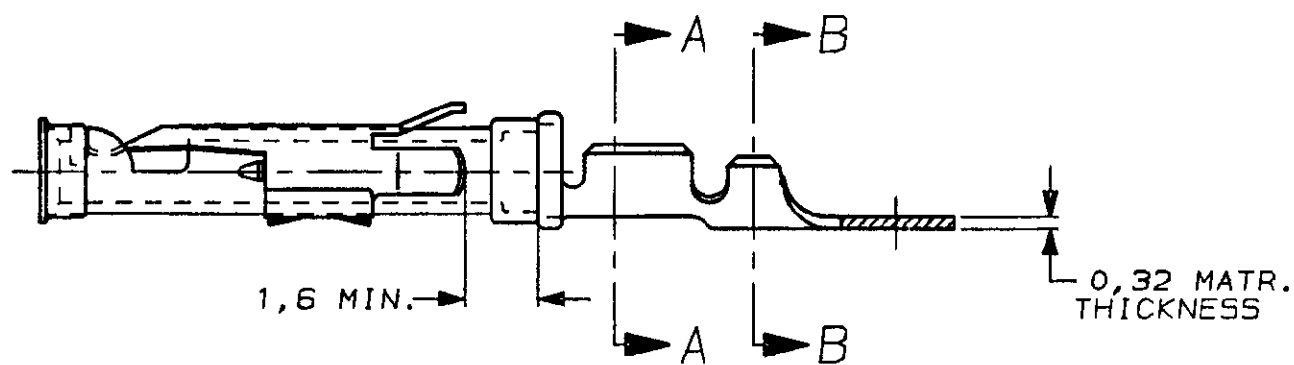
THIRD ANGLE  
PROJECTION



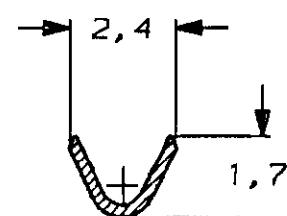
STRIP



LOOSE-PIECE



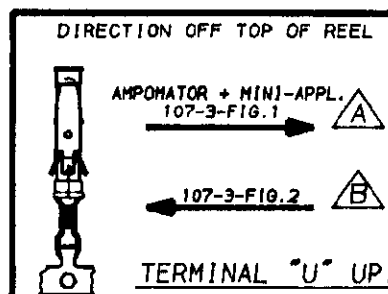
SECTION A-A



SECTION B-B

WIRE RANGE : 0,12-0,20 mm<sup>2</sup> (26-24 AWG)  
INSUL. RANGE : 0,9 -1,4 mm (.035-.055)

DOC. CONTROL  
09 SEP 1987



1-163091-3	A	1-163092-3	BRASS	EL. TIN	31	20
1-163091-2	A	1-163092-2	BRASS	BR. TIN/LEAD	30	
1-163091-1	A		BRASS	ECON. GOLD	21	
1-163091-0	B	1-163092-0	BRASS	ECON. GOLD	21	
163091-9	A		BRASS	EL. TIN	20	
163091-8	A		BRASS	SEL. GOLD	22	
163091-2	B	163092-2	BRASS	SEL. GOLD	22	
163091-1	B	163092-1	BRASS	EL. TIN	20	
PARTNUMBER	DIRECTION OF REEL	LOOSE-PIECE	MATERIAL	PLATING		

- NOTES :
- 1 U.L. RECOGNIZED UNDER FILE E28476 VOL. VI SEC. I.
  - 2 FOR CRIMP DETAILS SEE AMP-SPEC. 114-19.000.
  - 3 MEETS PRODUCT SPECIFICATION 108-10042.
  - 4 OBSOLETE PARTS: OBSOLETE CIS STREAMLINING PER D.RENAUD/D.SINISI
  - 5 OBSOLETE

NOTES	MATERIAL	THICKNESS	AREA
20	TIN	2,0 μm	ALL OVER
21	NICKEL GOLD	0,8 μm	ALL OVER
22	TIN/LEAD		CONTACT AREA
23	NICKEL GOLD	0,8 μm	ALL OVER
24	GOLD		CONTACT AREA
25	NICKEL GOLD	1,2 μm	ALL OVER
26	SILVER	2,5 μm	ALL OVER
27	TIN/LEAD		CONTACT AREA
28	SILVER	0,5 μm	ALL OVER
29	SILVER	2,5 μm	ALL OVER
30	NICKEL	1,27 μm	ALL OVER
31	TIN/LEAD	1,27 μm	ALL OVER
32	LUBRICATED		

Y1	REVISION	DESCRIPTION	BY	DATE
Y1	REVISED PER - ECO-10-000030		KK	05JAN10
Y	EBD0-0335-04		JMS	FWK 02/08/04
M	EH-0302-94		JvL	MvD 03-05-94
L	ECN H-9813		JvdH	RD 18-05-92
LTR.	REVISION RECORD		DR.	CHK. DATE
	DR. : L.V.D.HEIJDEN.	CHK. : P.V.D.HAGEN.	APP. : L.V.SOEST	DATE: 19-08-87
	DATE: 19-08-87	DATE: 20-08-87	DATE: 20-08-87	

**CUSTOMER DRAWING** FOR REFERENCE ONLY WILL NOT BE UPDATED

© COPYRIGHT 19- BY AMP HOLLAND B.V. ALL INTERNATIONAL RIGHTS RESERVED. AMP PRODUCTS MAY BE COVERED BY U.S. AND FOREIGN AND/OR PATENTS PENDING. THIS DRAWING IS UNPUBLISHED RELEASED FOR PUBLICATION

**AMP** AMP HOLLAND B.V. 's-Hertogenbosch, The Netherlands.

NAME: SOCKET TYPE III CONTACT SIZE 16.

DWG. No. C-163091

REV. LTR. Y1 SHEET 1 OF 1