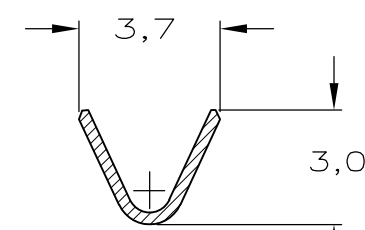
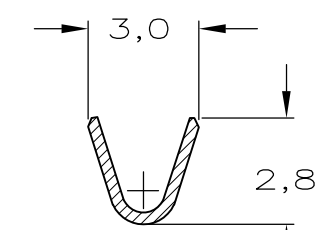
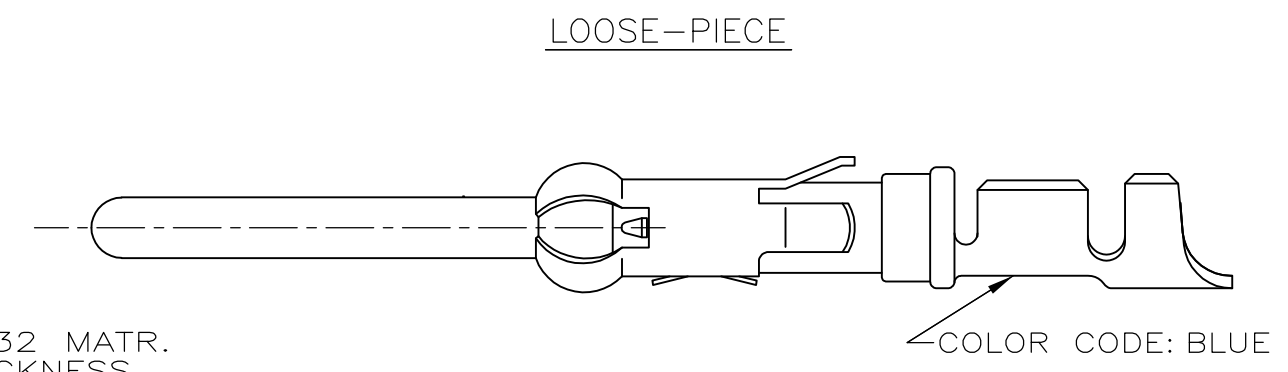
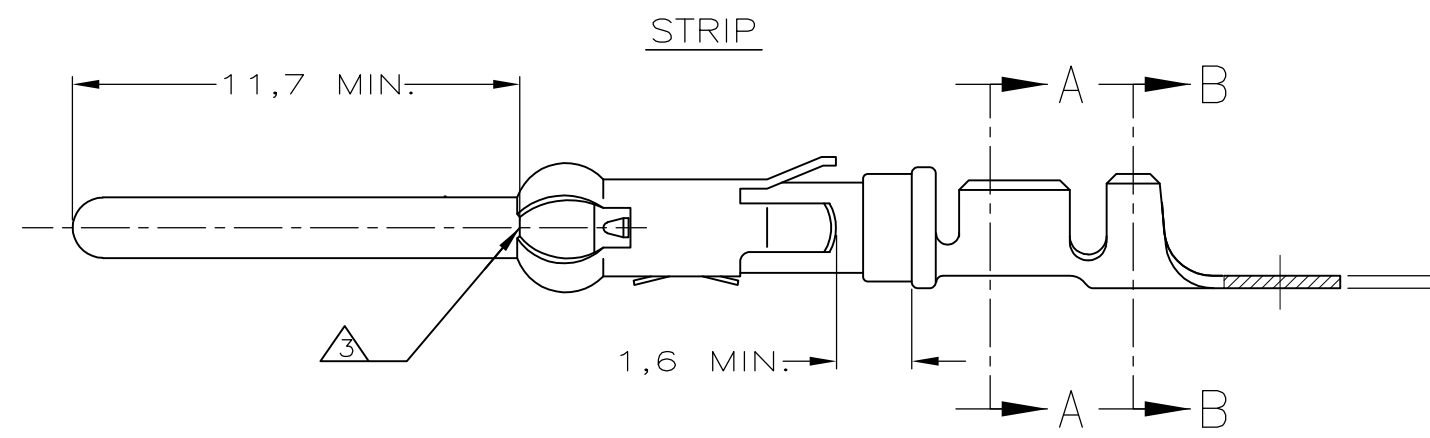
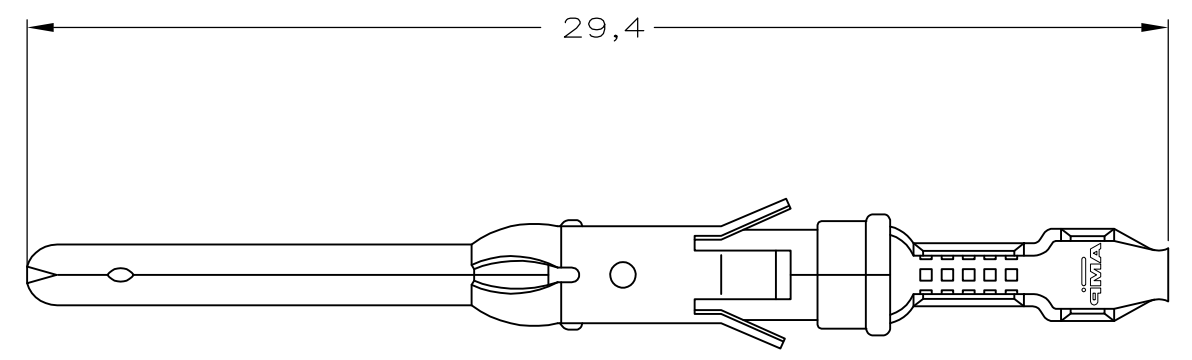
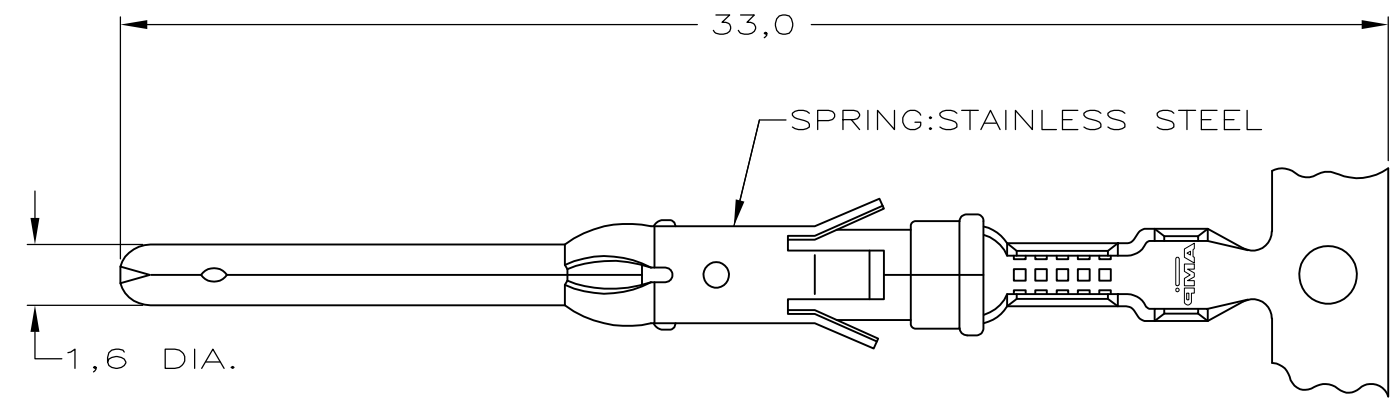


DO NOT SCALE  
DIMENSIONS IN mm

METRIC

THIRD ANGLE  
PROJECTION



WIRE RANGE : 0,75-1,50 mm<sup>2</sup> (18-16 AWG)  
INSUL. RANGE : 2,0 -2,5 mm (.080-.100)

5	4	C	164164-2	BRASS	SEL.GOLD	22
1-164161-7	A			PH.BRONZE	SEL.SILVER	27
1-164161-6	B	164164-9		PH.BRONZE	SEL.SILVER	27
1-164161-5	A			PH.BRONZE	SEL.GOLD	22
5 1-164161-4	B	164164-8		PH.BRONZE	SEL.GOLD	22
1-164161-3	A			PH.BRONZE	FULL SILVER	29
1-164161-2	B	164164-7		PH.BRONZE	FULL SILVER	29
1-164161-1	A			BRASS	PRE-TIN	
5 1-164161-0	B	164164-6		BRASS	PRE-TIN	
164161-9	A			PH.BRONZE	PRE-TIN	
5 164161-8	B	164164-5		PH.BRONZE	PRE-TIN	
164161-7	A			BRASS	ECON.GOLD	21
164161-6	B	164164-4		BRASS	ECON.GOLD	21
164161-4	A			BRASS	SEL.GOLD	22
164161-3	A			BRASS	EL.TIN	20
164161-2	B	164164-2		BRASS	SEL.GOLD	22
5 164161-1	B	164164-1		BRASS	EL.TIN	20
PARTNUMBER	DIRECTION OF REEL	LOOSE-PIECE	MATERIAL	PLATING		

DIRECTION OFF TOP OF REEL	
AMPOMATOR + MINI-APPL. 107-3-FIG.1	A
107-3-FIG.2	B
107-3-FIG.4	C

NOTES	MATERIAL	THICKNESS	AREA
20	TIN	2,0 μm	ALL OVER
21	NICKEL GOLD TIN/LEAD	0,8 μm	ALL OVER CONTACT AREA BARREL
22	NICKEL GOLD GOLD	0,8 μm	ALL OVER CONTACT AREA ALL OVER
23	NICKEL GOLD GOLD	1,2 μm	ALL OVER CONTACT AREA ALL OVER
27	NICKEL SILVER TIN/LEAD	2,5 μm	ALL OVER CONTACT AREA BARREL
28	SILVER	0,5 μm	ALL OVER
29	SILVER	2,5 μm	ALL OVER

- NOTES :
- FOR CRIMPDETAILS SEE AMP-SPEC. 114-19.000 .
  - MEETS PRODUCTSPECIFICATION 108-10042.
  - 0,40 MAX. GAP BETWEEN SPRING-NOSE AND CONTACT BODY.
  - SPECIAL REEL WITH 200 PCS FOR REELFED HANDTOOL.
  - OBSOLETE PARTS: OBSOLETE CIS STREAMLINING PER D.RENAUD/D.SINISI

LTR.	REVISION RECORD	DR.	CHK.	DATE	
L1	REVISED PER ECO-09-020774	KK	AEG	24AUG09	
L	ECN H-9192	MvD	RD	09-10-91	
DR.:	-	CHK.:	-	APP.:	-
DATE:	-	DATE:	-	DATE:	-

**CUSTOMER DRAWING** FOR REFERENCE ONLY  
WILL NOT BE UPDATED

© COPYRIGHT 19 - BY AMP HOLLAND B.V.  
ALL INTERNATIONAL RIGHTS RESERVED.AMP PRODUCTS MAY BE  
COVERED BY U.S. AND FOREIGN AND/OR PATENTS PENDING.  
THIS DRAWING IS UNPUBLISHED  
RELEASED FOR PUBLICATION ,19

**AMP** AMP HOLLAND B.V.  
s-Hertogenbosch,  
The Netherlands.

NAME -  
**PIN TYPE III CONTACT**  
SIZE 16 (LONG PIN)

DWG.No. 164161  
REV.LTR. L1  
SHEET 1 OF 1  
A3