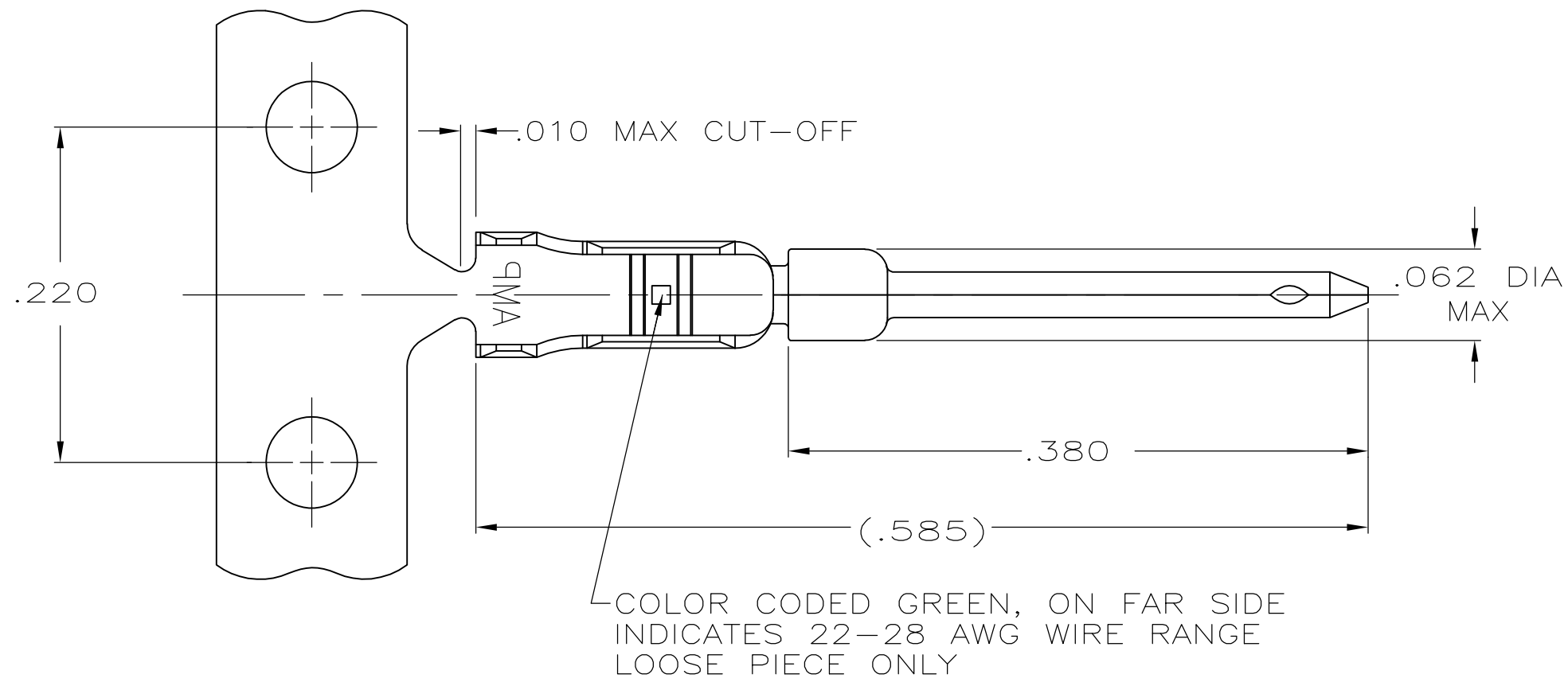
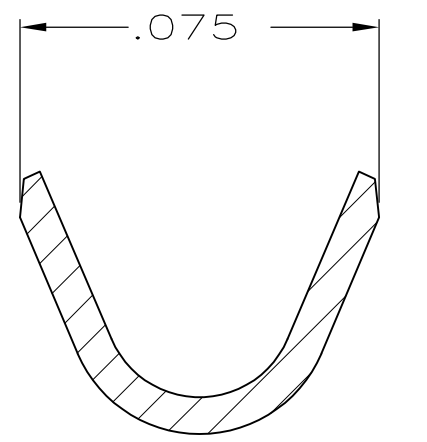
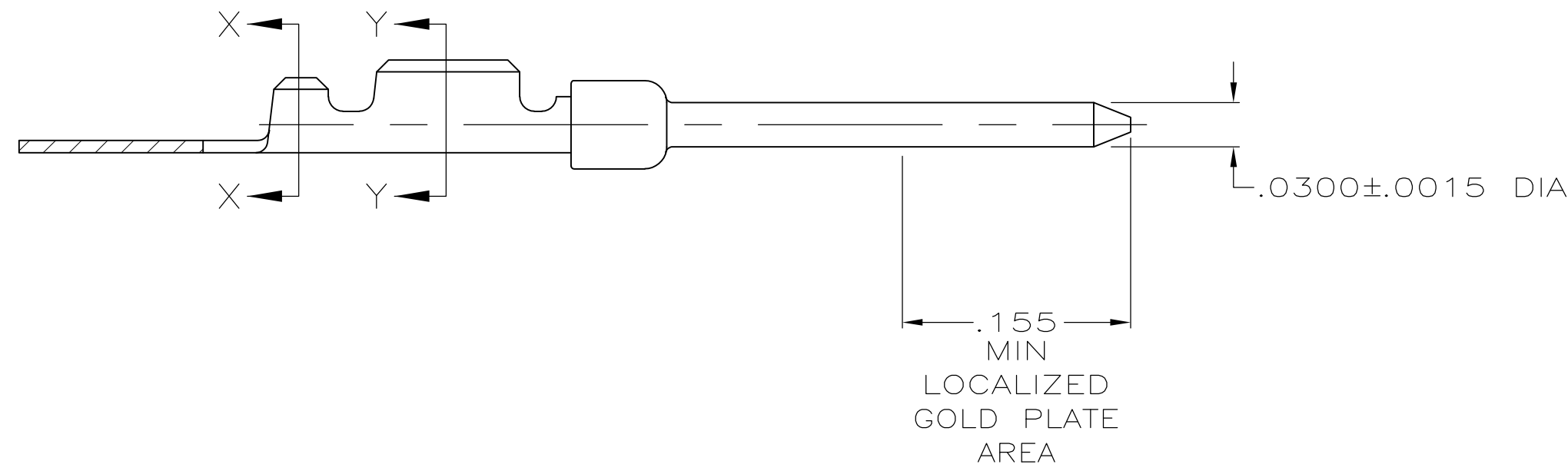


THIS DRAWING IS UNPUBLISHED. RELEASED FOR PUBLICATION  
 © COPYRIGHT BY TYCO ELECTRONICS CORPORATION. ALL RIGHTS RESERVED.

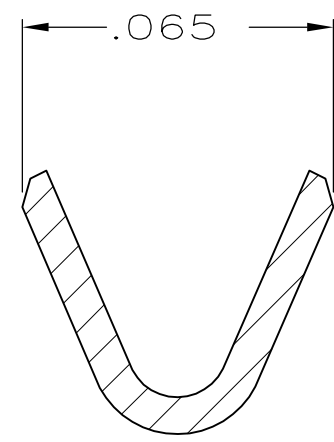
| LOC | DIST | REVISIONS                 |           |      |      |
|-----|------|---------------------------|-----------|------|------|
| P   | LTR  | DESCRIPTION               | DATE      | DWN  | APVD |
| GP  | 00   |                           |           |      |      |
|     | C    | REVISED PER ECO-08-008111 | 30JUN2008 | ZMRC | WJR  |



- 1 FOR MINI APPLICATOR.
- 2 FOR HAND TOOL USE ONLY.
- 3. WIRE RANGE OF 22-28, INSULATION RANGE OF .030-.040.
- 4 .000050 MIN NICKEL UNDERPLATE ON ENTIRE CONTACT. .000100 MIN TIN ON WIRE AND INSULATION BARRELS, .000030 MIN GOLD ON LOCALIZED GOLD PLATE AREA.  
OR  
.000050 MIN NICKEL UNDERPLATE ON ENTIRE CONTACT. .000100 MIN TIN ON WIRE AND INSULATION BARRELS, GOLD FLASH OVER PALLADIUM-NICKEL, .000030 MIN TOTAL IN LOCALIZED GOLD PLATE AREA.
- 5 GOLD FLASH IN LOCALIZED GOLD PLATE AREA, .000100 MIN TIN IN WIRE & INSULATION BARRELS, BOTH OVER .000050 MIN NICKEL UNDERPLATE.
- 6 SMALL PACK PACKAGING.



SECTION X-X  
INSULATION BARREL  
SCALE 25:1



SECTION Y-Y  
WIRE BARREL  
SCALE 25:1

| FINISH | USE | TYPE        | PART NUMBER |
|--------|-----|-------------|-------------|
| 4      | 2   | LOOSE PIECE | 1658670-5   |
| 5      | 2   | LOOSE PIECE | 1658670-4   |
| 5      | 1   | STRIP       | 1658670-3   |
| 4      | 2   | LOOSE PIECE | 1658670-2   |
| 4      | 1   | STRIP       | 1658670-1   |

|  |              |                                |   |                 |
|--|--------------|--------------------------------|---|-----------------|
| THIS DRAWING IS A CONTROLLED DOCUMENT. |              | DWN L. VARELA - DOCK5 11-17-04 | Tyco Electronics Corporation<br>Harrisburg, PA 17105-3608 |                 |
| DIMENSIONS: INCHES                     |              | CHK J. GERACE 11-17-04         | NAME  |                 |
| TOLERANCES UNLESS OTHERWISE SPECIFIED: |              | APVD M. WALMSLEY 11-17-04      | PIN CONTACT, 22-28 AWG, 22 DF, AMPLIMITE                  |                 |
| 0 PLC ± -                              | 1 PLC ± -    | PRODUCT SPEC 108-1268          | SIZE A2   | CAGE CODE 00779 |
| 2 PLC ± -                              | 3 PLC ± .005 | APPLICATION SPEC 114-10001     | DRAWING NO C=1658670                                      | RESTRICTED TO   |
| 4 PLC ± -                              | ANGLES ± 2'  | MATERIAL BRASS                 | SCALE 10:1  | SHEET 1 of 1    |
| FINISH SEE TABLE                       |              | WEIGHT -                       | REV C   |                 |
|  |              | CUSTOMER DRAWING               |   |                 |