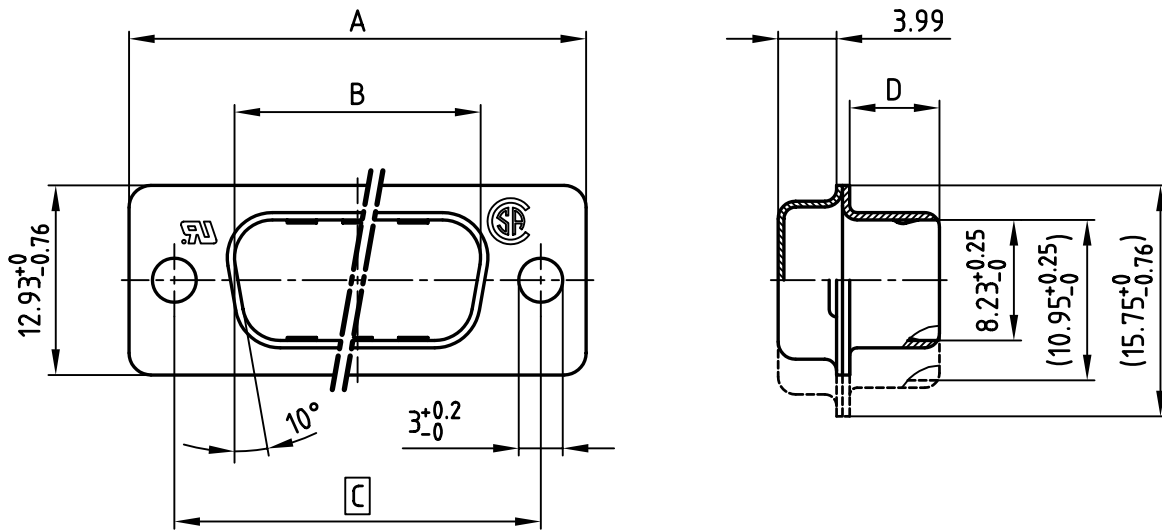


used for: D-SUB



Dimensions in (---) = 50pos.

No. of pos.	A -0.76	B -0.25	C	D -0.3	Part No:
9	31.19	16.79	25.00 <sup>+0.12</sup> / <sub>-0.13</sub>	6.12	165X12969X
15	39.52	25.12	33.30 <sup>+0.15</sup> / <sub>-0.1</sub>	6.12	165X12979X
25	53.42	38.84	47.04 ±0.13	5.99	165X12989X
37	69.70	55.30	63.50 ±0.13	5.99	165X12999X
50	67.31	52.68	61.10 <sup>+0.14</sup> / <sub>-0.11</sub>	5.99	165X13009X

**NOTES:**

- METALSHELLS: STEEL; min. 320µ" TIN
- CONNECTOR IS PART MARKED: PART NO: CONEC Y/WW
- = CRITICAL DIMENSION

Directive 2002/95/EC  
„RoHS“  
Compliant

THIS DRAWING MAY NOT BE COPIED OR REPRODUCED IN ANY WAY, AND MAY NOT BE PASSED ON TO A THIRD PARTY WITHOUT WRITTEN PERMISSION. OWNERSHIP AND COPYRIGHT OF CONEC GmbH DO NOT ALTER CAD DRAWING BY HAND

tolerance			
2002	date	name	
drawn	27.03.	Schmidt	
appd.	27.03.	Mickenbecker	
norm	DIN 41652		
d-old	KAT11Y4A		
rev.	description	date	name



scale:	2:1	
material:	SEE NOTES	
title:	Covered screen cap 9-50pos. for Socket connector for EMI/RFI	
dwg no:	AutoCAD 2000	DIN-A
	16K1A623	4
part no:	SEE TABLE	
		sh: 1/1