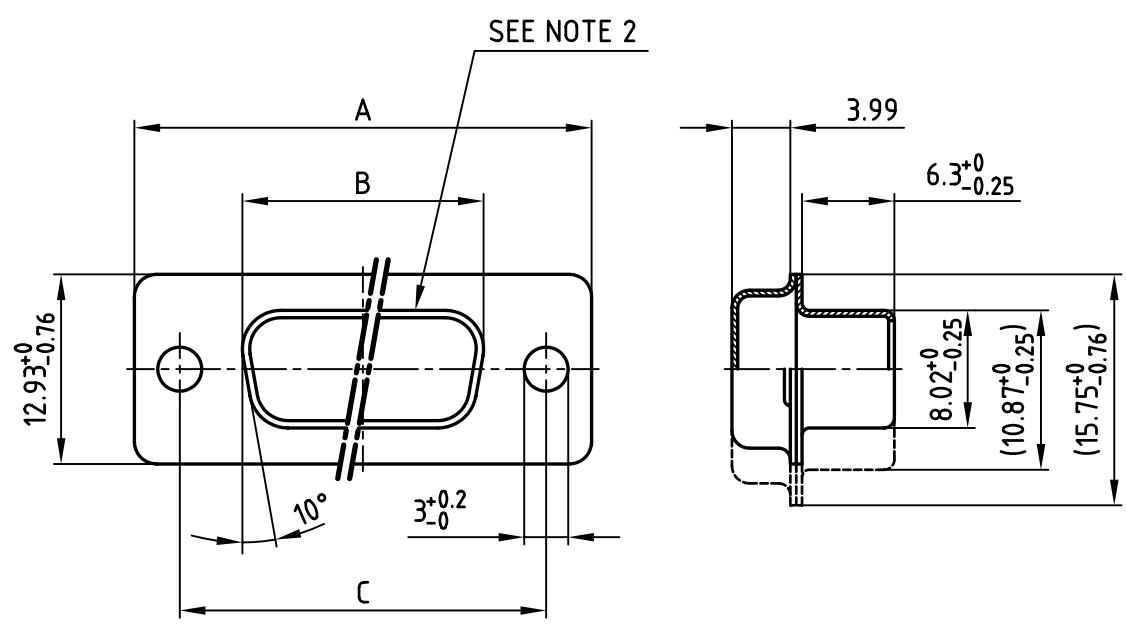


used for: D-SUB



Dimensions in (---) = 50pos.

No. of pos.	A ^{-0.76}	B ^{-0.25}	C	Part No:
9	31.19	16.46	25.00 ^{+0.12} / _{-0.13}	165X13129X
15	39.52	24.79	33.30 ^{+0.15} / _{-0.1}	165X13139X
25	53.42	38.50	47.04 ±0.13	165X13149X
37	69.70	54.96	63.50 ±0.13	165X13159X (165X13349X / 165X13159X-S)
50	67.31	52.55	61.10 ^{+0.14} / _{-0.11}	165X13169X

NOTES:

- METALSHELLS: STEEL; min. 320µ" TIN
- CONNECTOR IS PART MARKED: PART NO: CONEC Y/WW
- ☐ = CRITICAL DIMENSION



THIS DRAWING MAY NOT BE COPIED OR REPRODUCED IN ANY WAY, AND MAY NOT BE PASSED ON TO A THIRD PARTY WITHOUT WRITTEN PERMISSION.
 OWNERSHIP AND COPYRIGHT OF CONEC GmbH
 DO NOT ALTER CAD DRAWING BY HAND

tolerance			
2002	date	name	
drawn	24.07.	Schmidt	
appd.	24.07.	Mickenbecker	
norm	DIN 41652		
d-old	KAT1Y4A		
rev.	description	date	name

scale:	2:1		
material:	SEE NOTES		
title:	Covered screen cap 9-50pos. for plug connector for EMI/RFI		
dwg no:	AutoCAD 2000	DIN-A	
	16K1A716	4	
		sh: 1/1	
part no:	SEE TABLE		