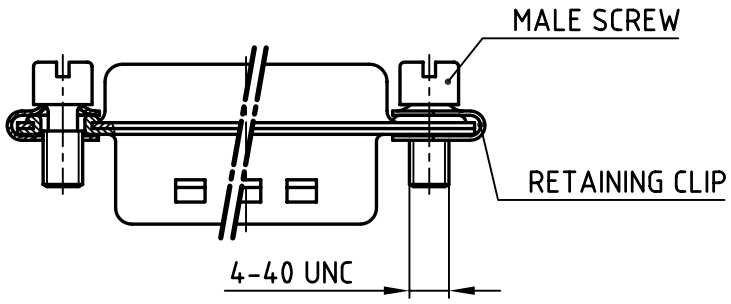
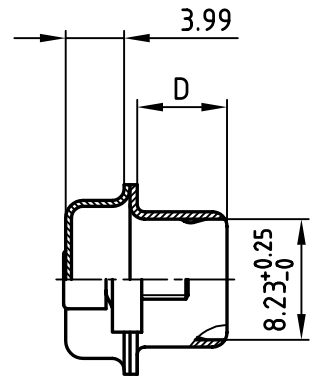
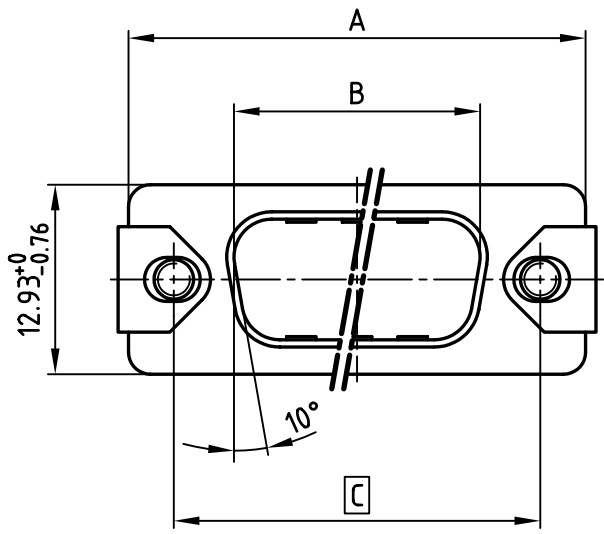


used for: D-SUB



POS.	A -0.76	B -0.25	C	D -0.3	Part no.
9	31.19	16.79	25.00 ^{+0.12} / _{-0.13}	6.12	165X16719X
15	39.52	25.12	33.30 ^{+0.15} / _{-0.1}	6.12	165X16729X
25	53.42	38.84	47.04 ±0.13	5.99	165X16739X
37	69.70	55.30	63.50 ±0.13	5.99	165X16749X

Directive 2002/95/EC
"RoHS"
Compliant

- NOTES:**
1. SCREEN CAP: STEEL; TIN PLATED
 - (b) (c) 2. MALE SCREW: STAINLESS STEEL
 - (b) (c) 3. RETAINING CLIP: STAINLESS STEEL
 4. = CRITICAL DIMENSION: SPC

THIS DRAWING MAY NOT BE COPIED OR REPRODUCED IN ANY WAY, AND MAY NOT BE PASSED ON TO A THIRD PARTY WITHOUT WRITTEN PERMISSION. OWNERSHIP AND COPYRIGHT OF CONEC GmbH DO NOT ALTER CAD DRAWING BY HAND

CONEC CORPORATION BRAMPTON, ONTARIO		tolerance	
2001	date	name	
drawn	26.04.	Parei	
appd.	26.04.	E. Mickenbecker	
norm			
d-old			
2 x c	Ä 2440	10.02.2006	Lehmen
2 x b	Ä 1872	29.10.2003	Lehmen
rev.	description	date	name



scale:	2:1	
material:	SEE NOTES	
title:	COVERED SCREEN CAP 9-37pos. for socket connector	
dwg no:	AutoCAD 2000	DIN-A
	16K1A184A	4
part no:	SEE TABLE	
		sh: 1/1