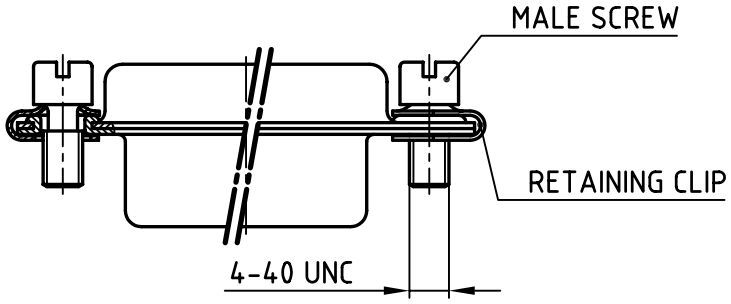
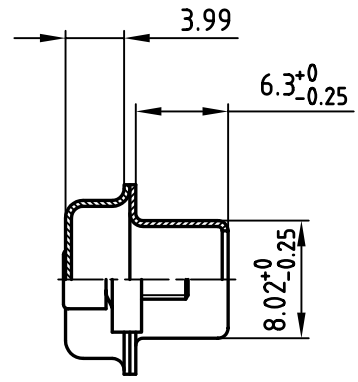
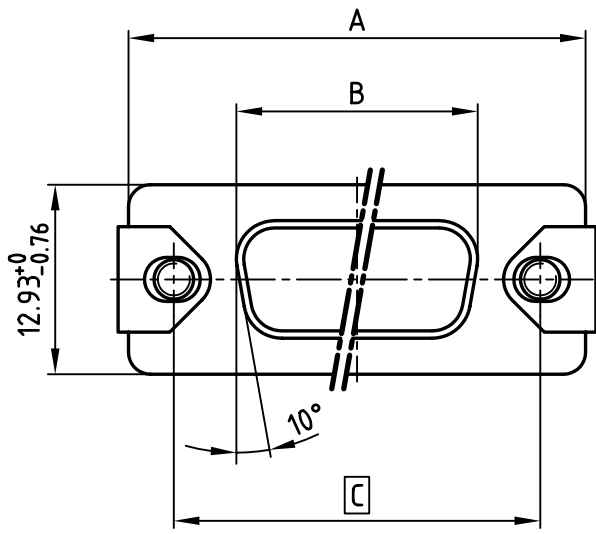


used for: D-SUB



POS.	A -0.76	B -0.25	C	Part no.
9	31.19	16.46	25.00 ^{+0.12} / _{-0.13}	165X16769X
15	39.52	24.79	33.30 ^{+0.15} / _{-0.1}	165X16779X
25	53.42	38.50	47.04 ±0.13	165X16789X
37	69.70	54.96	63.50 ±0.13	165X16799X

Directive 2002/95/EC
"RoHS"
Compliant

- NOTES:**
- SCREEN CAP: STEEL; TIN PLATED
 - (b) (c) MALE SCREW: STAINLESS STEEL
 - (b) (c) RETAINING CLIP: STAINLESS STEEL
 - [] = CRITICAL DIMENSION: SPC

THIS DRAWING MAY NOT BE COPIED OR REPRODUCED IN ANY WAY, AND MAY NOT BE PASSED ON TO A THIRD PARTY WITHOUT WRITTEN PERMISSION.
 OWNERSHIP AND COPYRIGHT OF CONEC GmbH
 DO NOT ALTER CAD DRAWING BY HAND

CONEC CORPORATION BRAMPTON, ONTARIO			tolerance	
2001	date	name	scale: 2:1 material: SEE NOTES	
drawn	25.04.	Parei	title: COVERED SCREEN CAP 9-37pos. for plug connector	
appd.	25.04.	E. Mickenbecker		
norm				
d-old				
2 x c	Ä 2440	10.02.2006	Lehmen	dwg no: AutoCAD 2000 16K1A186A part no: SEE TABLE
2 x b	Ä 1872	29.10.2003	Lehmen	
rev.	description	date	name	



AutoCAD 2000	DIN-A
	4
	sh: 1/1