

4

3

2

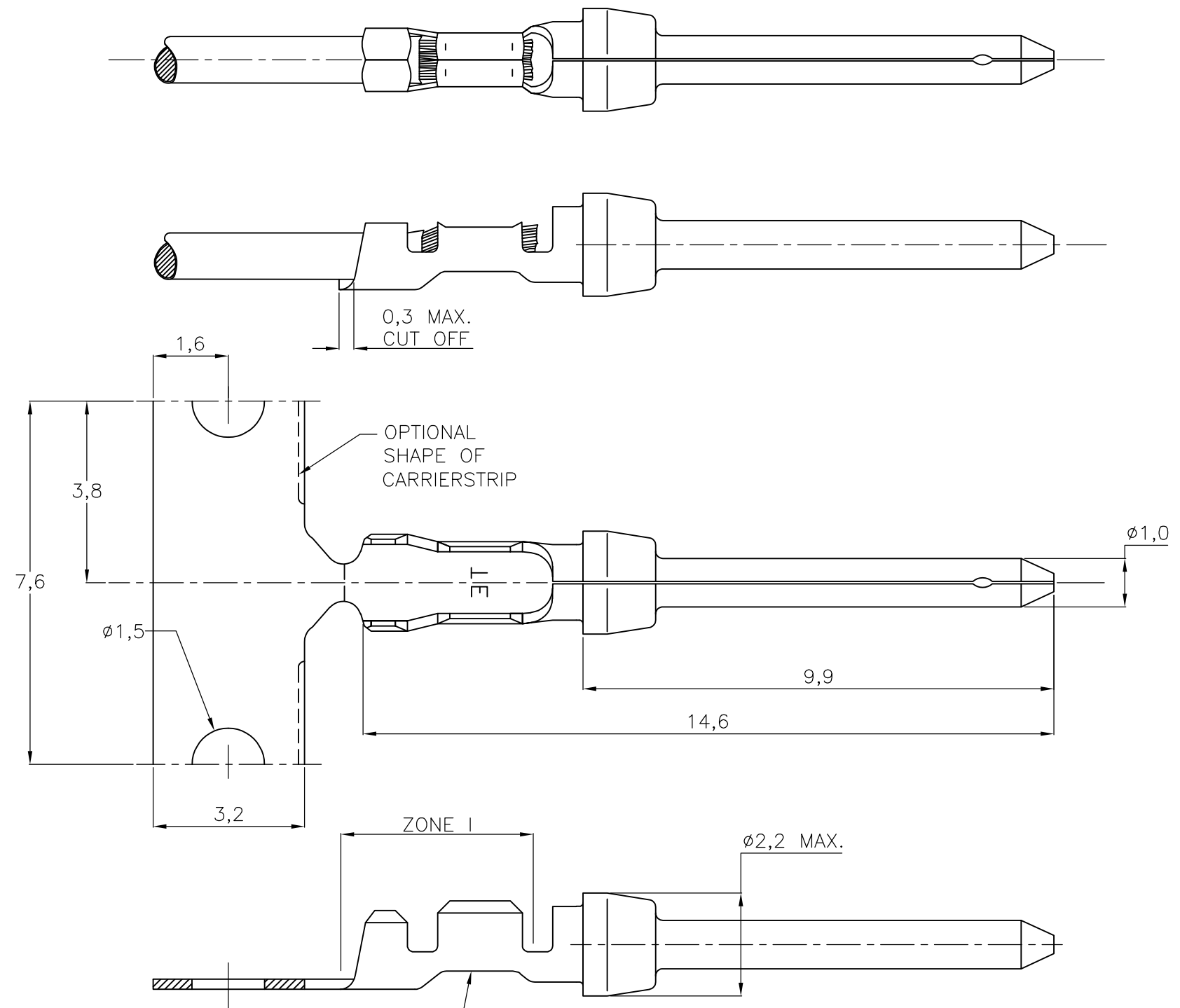
1

THIS DRAWING IS UNPUBLISHED. RELEASED FOR PUBLICATION
 © COPYRIGHT BY TYCO ELECTRONICS CORPORATION. ALL INTERNATIONAL RIGHTS RESERVED.

LOC	DIST	REVISIONS					
		P	LTR	DESCRIPTION	DATE	DWN	APVD
H	-		Y	ECR-08-023872	17-10-08	AEG	KMA
			Y1	ECR-09-016151	25-08-09	AEG	KMA

NOTES:

- 1 FOR MINI-APPLICATOR-12500 PCS REEL.
- 2 FOR REEL-FEED HAND TOOLING-500 PCS REEL.
- 3 FOR HAND TOOLING- LOOSE PIECE.
- 4. MATERIAL: BRASS.
- 5 FINISH:
 - Ni UNDERPLATING ALL OVER.
 - CONTACT AREA PLATING MEETS IEC-807-3 PERFORMANCE LEVEL 2.
 - CRIMP ZONE Sn PLATED.



WIRE RANGE: 24-20 AWG(0,56-0,20mm²)
 INSUL. RANGE: 1,27 - 1,52 DIA.

RED COLOR CODE
 (LOOSE-PIECE ONLY)

5	166293-1	5-166053-1	166053-1
FINISH	LOOSE PIECE 3	PART NUMBER 2	PART NUMBER 1
DWN -		Tyco Electronics Corporation	
CHK K. MALCZYK 09SEP08		's-Hertogenbosch, Nederland	
APVD T. DE BOER 09SEP08		NAME	
PRODUCT SPEC		PIN CONTACT, SIZE 20 DF.	
108-40005			
APPLICATION SPEC			
114-10000		SIZE	CAGE CODE
WEIGHT -		DRAWING NO	
CUSTOMER DRAWING		A3 00779 C-166053	
		RESTRICTED TO	
		SCALE	SHEET
		NTS	1 OF 1
		REV	Y1

THIS DRAWING IS A CONTROLLED DOCUMENT.

DIMENSIONS:	TOLERANCES UNLESS OTHERWISE SPECIFIED:
mm	
	0 PLC ± -
	1 PLC ± 0,127
	2 PLC ± -
	3 PLC ± -
	4 PLC ± -
	ANGLES ± -
MATERIAL	FINISH
-	-