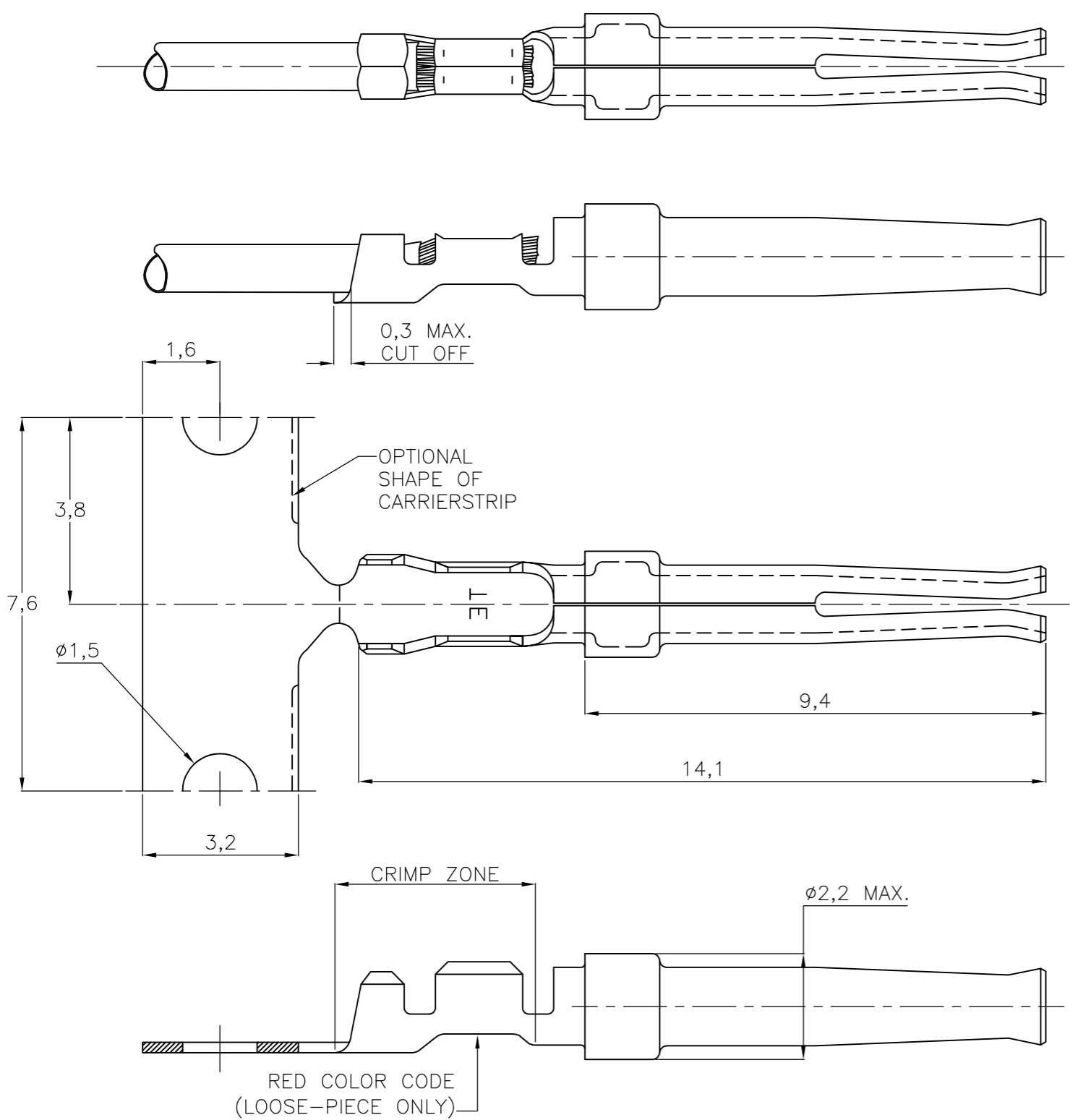


THIS DRAWING IS UNPUBLISHED. RELEASED FOR PUBLICATION  
 © COPYRIGHT BY TYCO ELECTRONICS CORPORATION. ALL INTERNATIONAL RIGHTS RESERVED.

LOC	DIST	REVISIONS			
P	LTR	DESCRIPTION	DATE	DWN	APVD
H	-	M	ECR-08-023872	15OCT08	AEG KMA

NOTES:

- △1 FOR MINI-APPLICATOR-12500 PCS REEL.
- △2 FOR REEL-FEED HAND TOOLING-500 PCS REEL.
- △3 FOR HAND TOOLING- LOOSE PIECE.
- 4. MATERIAL: PHOSPHORBRONZE.
- △5 FINISH:
  - Ni UNDERPLATING ALL OVER.
  - CONTACT AREA PLATING MEETS IEC-807-3 PERFORMANCE LEVEL 2.
  - CRIMP ZONE Sn PLATED.



WIRE RANGE: 24-20 AWG(0,56-0,20mm<sup>2</sup>)  
 INSUL. RANGE: 1,27-1,52 DIA

△5	166291-1	5-166051-1	166051-1
FINISH	LOOSE-PIECE △3	PARTNUMBER △2	PARTNUMBER △1
DWN	-	Tyco Electronics Corporation 's-Hertogenbosch, Nederland	
CHK	K.MALCZYK 21AUG08	NAME	
APVD	I.DE BOER 21AUG08	SOCKET CONTACT, SIZE 20 DF.	
PRODUCT SPEC	108-40005	SIZE	CAGE CODE
APPLICATION SPEC	114-10000	DRAWING NO	RESTRICTED TO
WEIGHT	-	A3 00779	166051
CUSTOMER DRAWING		SCALE	SHEET
		NTS	1 OF 1
		REV	M

THIS DRAWING IS A CONTROLLED DOCUMENT.	
DIMENSIONS: mm	TOLERANCES UNLESS OTHERWISE SPECIFIED:
	0 PLC ± -
	1 PLC ± 0,127
	2 PLC ± -
	3 PLC ± -
	4 PLC ± -
	ANGLES ± -
MATERIAL	FINISH
-	-

