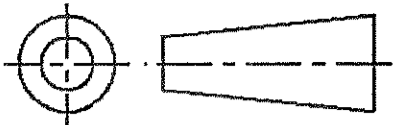


DO NOT SCALE

DIMENSIONS IN mm

METRIC

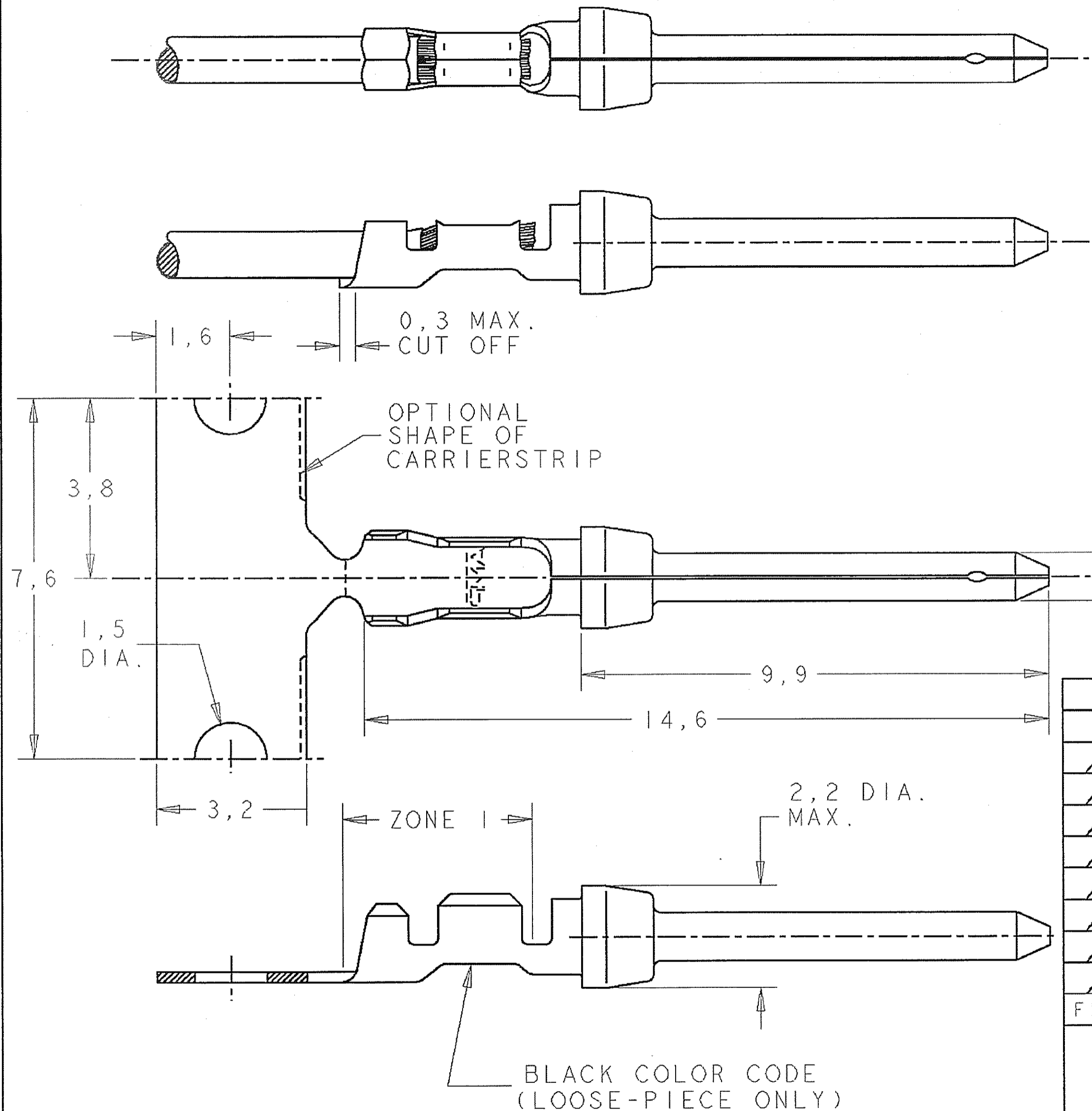
THIRD ANGLE PROJECTION



NOTES:

- 1 FOR MINI-APPLICATOR CRIMPING.
- 2 FOR STANDARD-APPLICATOR CRIMPING.
- 3 FOR REEL-FEED HANDTOOL CRIMPING, 500 CONTACTS ON A SMALL REEL.
- 4. MATERIAL: BRASS.
- 5 UNDERCOATING: 1,3 μm Ni
SELECTIVE : 0,8 μm Au
REMAINDER : GOLDFLASH
- 6 UNDERCOATING: 1,3 μm Ni
SELECTIVE : 0,8 μm Au
ZONE 1 : BRIGHT TIN
- 7 UNDERCOATING: 0,8 μm Ni
SELECTIVE : 0,4 μm Au
REMAINDER : GOLDFLASH
- 8 UNDERCOATING: 0,8 μm Ni
SELECTIVE : 0,4 μm Au
ZONE 1 : BRIGHT TIN
- 9 UNDERCOATING: 1,3 μm Ni
SELECTIVE : 1,3 μm Au
REMAINDER : GOLDFLASH
- 10 UNDERCOATING: 0,8 μm Ni
SELECTIVE : GOLDFLASH (0,1 μm)
OVER 6,0mm LENGTH FROM THE TIP
ZONE 1 : BRIGHT TIN
- 11 UNDERCOATING: 0,8 μm Ni
SELECTIVE : 0,2 μm Au
REMAINDER : GOLDFLASH
- 12 UNDERCOATING: 0,8 μm Ni
SELECTIVE : 0,2 μm Au
ZONE 1 : BRIGHT TIN

13 OBSOLETE PARTS: OBSOLETE CIS STREAMLINING PER D.RENAUD/D.SINISI



12	1-166997-3	-	-	13 1-166995-3
11	1-166997-2	-	-	13 1-166995-2
10	166997-8	-	-	13 166995-8
9	166997-7	-	-	13 166995-7
8	166997-6	-	-	166995-6
7	166997-5	-	-	13 166995-5
6	166997-3	-	-	166995-3
5	166997-2	-	-	166995-2
FINISH	LOOSE-PIECE	PARTNUMBER 3	PARTNUMBER 2	PARTNUMBER 1

CUSTOMER DRAWING



AMP-HOLLAND B.V.

's-Hertogenbosch, The Netherlands.

THIS DRAWING IS UNPUBLISHED RELEASED FOR PUBLICATION

FOR REFERENCE ONLY
WILL NOT BE UPDATED

© COPYRIGHT 19- BY AMP-HOLLAND B.V.
ALL INTERNATIONAL RIGHTS RESERVED.
AMP PRODUCTS MAY BE COVERED BY U.S. AND FOREIGN PATENTS AND/OR PATENTS PENDING.

T1	REVISED PER ECO-09-026346	25NOV09	KK	AEG
LTR	DESCRIPTION	DATE	DWN	APP

DR. B.MOUIJ.	DATE 08-01-86	WIRE RANGE \pm 28-32 AWG (0,03-0,09 mm ²)	NAME PIN CONTACT, SIZE 20 DF.	REV. DATE D M Y 26 11 01
CHK. C.v.TILBURG.	DATE 16-01-86	INSUL. RANGE 0,5-1,02 DIA.	DWG. No. C-166995	REV. LTR. T1
APP. L.v.SOEST.	DATE 18-02-86	SIZE A3	SHEET 1 OF 1	

8 7 6 5 4 3 2 1