

4

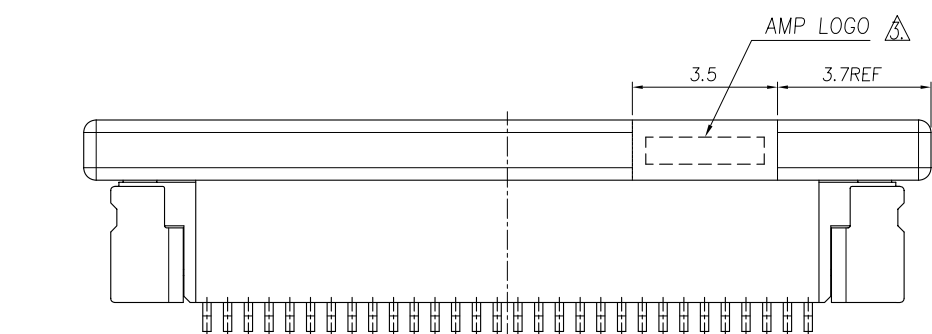
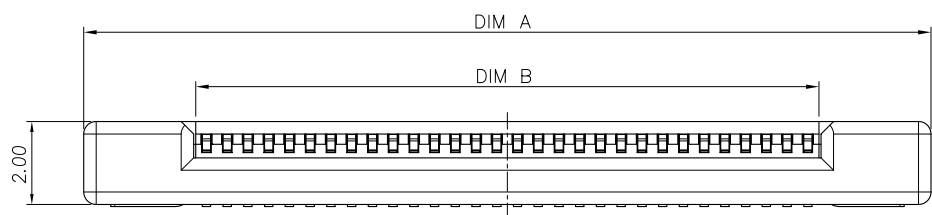
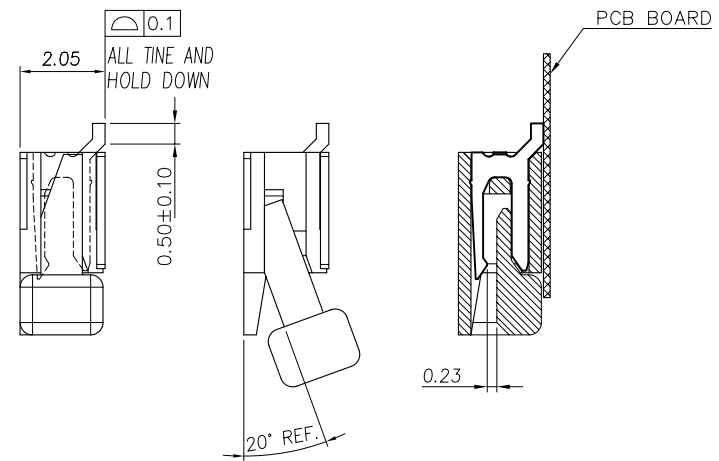
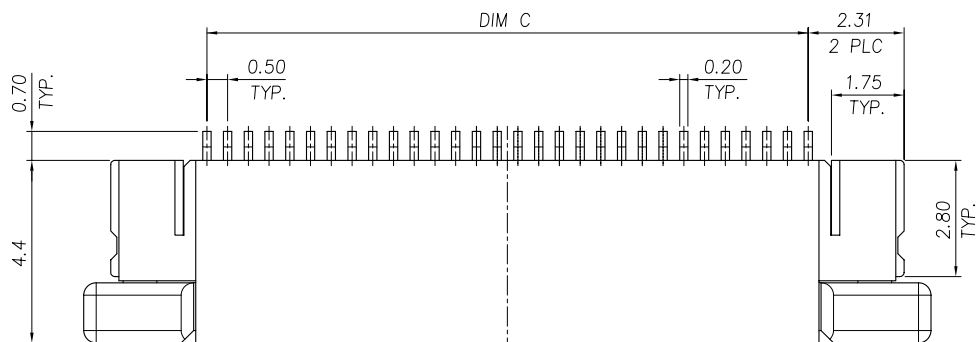
3

2

1

THIS DRAWING IS UNPUBLISHED. RELEASED FOR PUBLICATION AUG 2006  
COPYRIGHT BY TYCO ELECTRONICS CORPORATION. ALL RIGHTS RESERVED.

LOC	DIST	REVISIONS			
P	LTR	DESCRIPTION	DATE	DWN	APVD
DW	-	A4	REVISED (ECR-10-020637)	07OCT10	JL WK



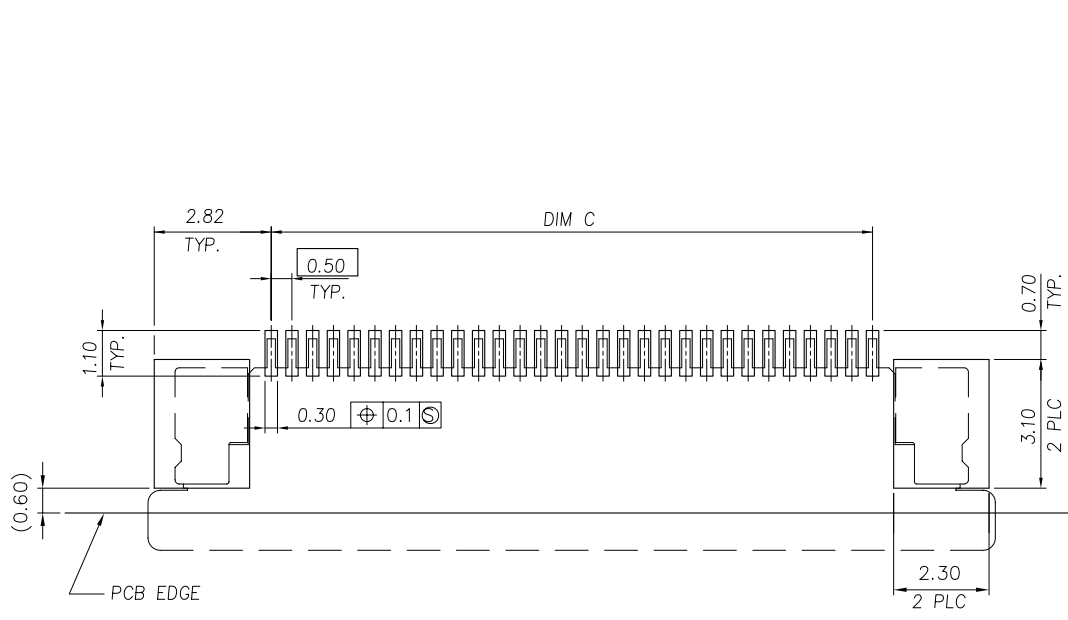
POS.	PART NUMBER
24.50	25.60
24.00	25.10
23.50	24.60
23.00	24.10
22.50	23.60
22.00	23.10
21.50	22.60
21.00	22.10
20.50	21.60
20.00	21.10
19.50	20.60
19.00	20.10
18.50	19.60
18.00	19.10
17.50	18.60
17.00	18.10
16.50	17.60
16.00	17.10
15.50	16.60
15.00	16.10
14.50	15.60
14.00	15.10
13.50	14.60
13.00	14.10
12.50	13.60
12.00	13.10
11.50	12.60
11.00	12.10
10.50	11.60
10.00	11.10
9.50	10.60
9.00	10.10
8.50	9.60
8.00	9.10
7.50	8.60
7.00	8.10
6.50	7.60
6.00	7.10
5.50	6.60
5.00	6.10
4.50	5.60
4.00	5.10
3.50	4.60
3.00	4.10
2.50	3.60
2.00	3.10
C	B
B	A
A	POS.
	PART NUMBER

NOTE:  
 1. MATERIAL:  
 HOUSING: HIGH TEMP. THERMOPLASTIC, UL 94V-0, COLOR: NATURE.  
 ACTUATOR: THERMOPLASTIC, UL 94 V-0, COLOR: IVORY.  
 HOLD DOWN: PHOSPHOR BRONZE.  
 CONTACT: PHOSPHOR BRONZE.  
 2. FINISH:  
 CONTACT: GOLD FLASH OVER ALL 50" MIN. NICKEL UNDERPLATED.  
 HOLD DOWN: 100u" MIN. TIN PLATING ON SOLDER AREA, 50u" MIN. NICKEL UNDERPLATED ALL OVER.  
 WITHOUT AMP LOGO FOR 12 POSITION UNDER.

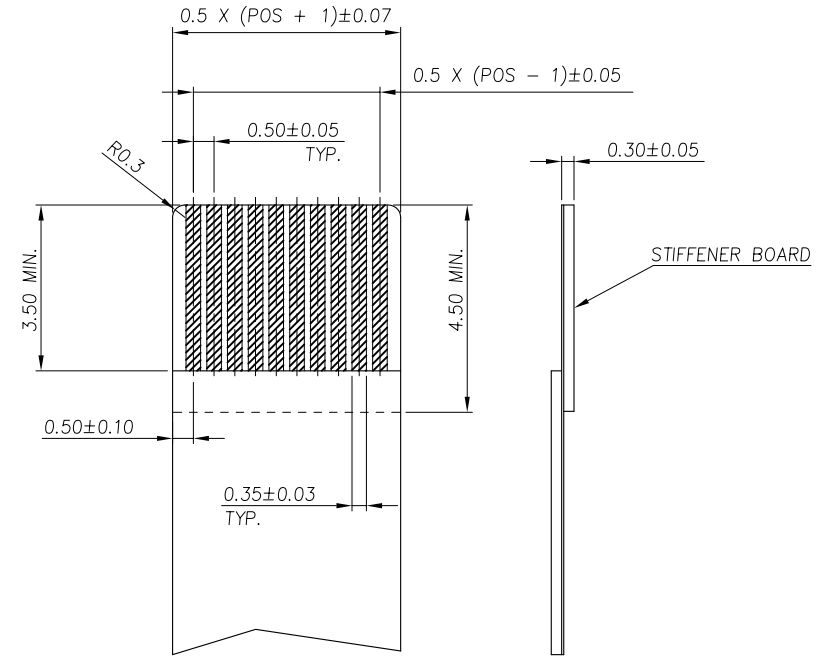
THIS DRAWING IS A CONTROLLED DOCUMENT.

DWN J. LAI 15APR2009	Tyco Electronics Corporation Taipei, Taiwan					
CHK S. CHIEN 15APR2009						
APVD W. KODAMA 15APR2009						
NAME						
PRODUCT SPEC 108-57523	FPC CONNECTOR, 0.5mm PITCH, TOP CONTACT, SMT TYPE.					
QUALIFICATION TEST REPORT 501-57598						
MATERIAL SEE NOTE	FINISH SEE NOTE	WEIGHT - GRAMS	SIZE A3	CAGE CODE 00779	DRAWING NO C=1734839	RESTRICTED TO -
CUSTOMER DRAWING			SCALE -	SHEET 1 of 3	REV A4	

LOC	DIST	REVISIONS			
P	LTR	DESCRIPTION	DATE	DWN	APVD
DW		SEE SHEET 1.			



RECOMMENDED PCB DIMENSIONS DIAGRAM  
 TOLERANCE: ±0.05

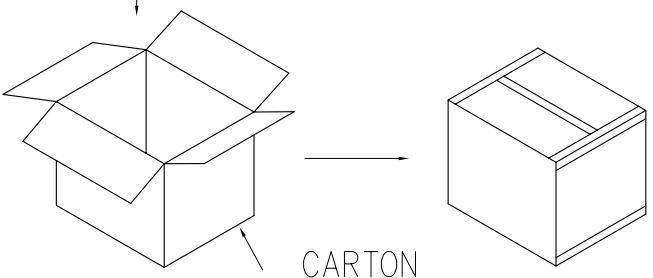
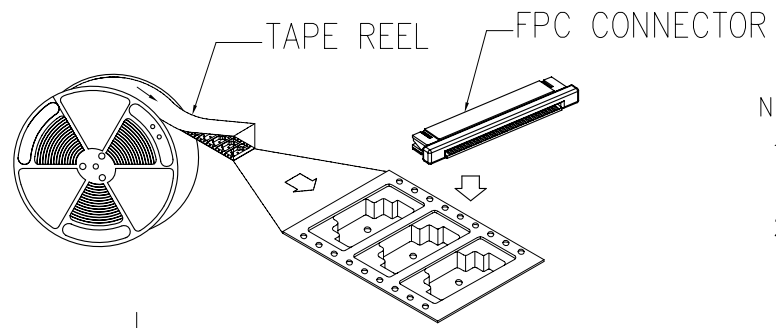
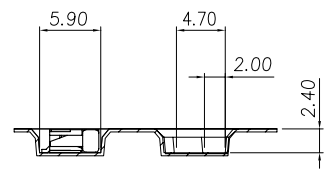
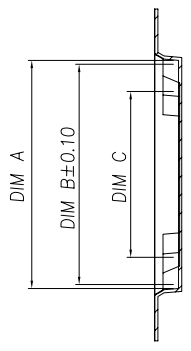
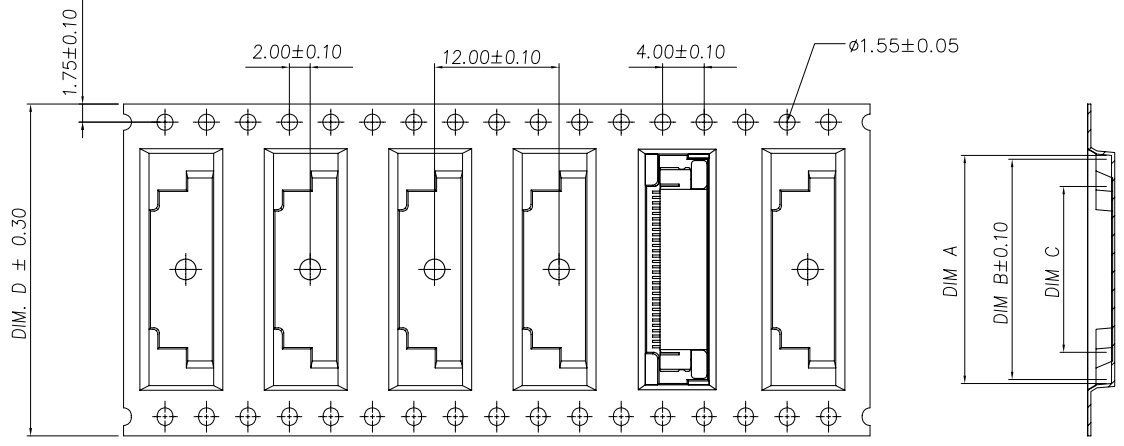


RECOMMENDED FPC DIMENSIONS DIAGRAM

THIS DRAWING IS A CONTROLLED DOCUMENT.		DWN	Tyco Electronics Corporation Taipei, Taiwan		
DIMENSIONS: MM		CHK	NAME		
TOLERANCES UNLESS OTHERWISE SPECIFIED:		APVD	FPC CONNECTOR, 0.5mm PITCH, TOP CONTACT, SMT TYPE.		
0 PLC ± -		PRODUCT SPEC	SIZE	CAGE CODE	DRAWING NO
1 PLC ± -		APPLICATION SPEC	A3	00779	G=1734839
2 PLC ± -		WEIGHT	RESTRICTED TO		
3 PLC ± -		CUSTOMER DRAWING	SCALE	SHEET	REV
4 PLC ± -				2 of 3	A4
ANGLES ± -					
MATERIAL	FINISH				

THIS DRAWING IS UNPUBLISHED. RELEASED FOR PUBLICATION AUG 2006  
 © COPYRIGHT BY TYCO ELECTRONICS CORPORATION. ALL RIGHTS RESERVED.

LOC		DIST		REVISIONS			
P	LTR	DESCRIPTION		DATE	DWN	APVD	
		SEE SHEET 1.					



NOTE :

- TAPE REEL:  
DIAMETER: 13", THICKNESS : 0.35±0.05mm.
- CARTON:  
SIZE: 350mm(L)X 350mm(W)X 340mm(H).
- WEIGHT:  
NET WEIGHT: 7.5kg  
GROSS WEIGHT: 13.4kg

QTY	PCS	QTY	PCS	QTY	PCS	QTY	PCS	QTY	PCS	QTY	PCS	QTY	PCS	QTY	PCS	QTY	PCS
44.00	25.50	30.75	31.50	50	5	1734839-0											
44.00	25.00	30.25	31.00	49	4	1734839-9											
44.00	24.50	29.75	30.50	48	4	1734839-8											
44.00	24.00	29.25	30.00	47	4	1734839-7											
44.00	23.50	28.75	29.50	46	4	1734839-6											
44.00	23.00	28.25	29.00	45	4	1734839-5											
44.00	22.50	27.75	28.50	44	4	1734839-4											
44.00	22.00	27.25	28.00	43	4	1734839-3											
44.00	21.50	26.75	27.50	42	4	1734839-2											
44.00	21.00	26.25	27.00	41	4	1734839-1											
44.00	20.50	25.75	26.50	40	4	1734839-0											
44.00	20.00	25.25	26.00	39	3	1734839-9											
44.00	19.50	24.75	25.50	38	3	1734839-8											
44.00	19.00	24.25	25.00	37	3	1734839-7											
44.00	18.50	23.75	24.50	36	3	1734839-6											
44.00	18.00	23.25	24.00	35	3	1734839-5											
44.00	17.50	22.75	23.50	34	3	1734839-4											
44.00	17.00	22.25	23.00	33	3	1734839-3											
44.00	16.50	21.75	22.50	32	3	1734839-2											
32.00	16.00	21.25	22.00	31	3	1734839-1											
32.00	15.50	20.75	21.50	30	3	1734839-0											
32.00	15.00	20.25	21.00	29	2	1734839-9											
32.00	14.50	19.75	20.50	28	2	1734839-8											
32.00	14.00	19.25	20.00	27	2	1734839-7											
32.00	13.50	18.75	19.50	26	2	1734839-6											
32.00	13.00	18.25	19.00	25	2	1734839-5											
32.00	12.50	17.75	18.50	24	2	1734839-4											
32.00	12.00	17.25	18.00	23	2	1734839-3											
32.00	11.50	16.75	17.50	22	2	1734839-2											
24.00	11.00	16.25	17.00	21	2	1734839-1											
24.00	10.50	15.75	16.50	20	2	1734839-0											
24.00	10.00	15.25	16.00	19	1	1734839-9											
24.00	9.50	14.75	15.50	18	1	1734839-8											
24.00	9.00	14.25	15.00	17	1	1734839-7											
24.00	8.50	13.75	14.50	16	1	1734839-6											
24.00	8.00	13.25	14.00	15	1	1734839-5											
24.00	7.50	12.75	13.50	14	1	1734839-4											
24.00	7.00	12.25	13.00	13	1	1734839-3											
24.00	6.50	11.75	12.50	12	1	1734839-2											
24.00	6.00	11.25	12.00	11	1	1734839-1											
24.00	5.50	10.75	11.50	10	1	1734839-0											
24.00	5.00	10.25	11.00	09	0	1734839-9											
24.00	4.50	9.75	10.50	08	0	1734839-8											
24.00	4.00	9.25	10.00	07	0	1734839-7											
24.00	3.50	8.75	9.50	06	0	1734839-6											
16.00	3.00	8.25	9.00	05	0	1734839-5											
24000	APQ (PCS/CARTON)	PPQ (PCS/REEL)	DIMENSIONS				POS.	PART NUMBER									
	D	C	B	A													

THIS DRAWING IS A CONTROLLED DOCUMENT.		DWN		Tyco Electronics Corporation Taipei, Taiwan	
DIMENSIONS: MM		CHK		NAME	
TOLERANCES UNLESS OTHERWISE SPECIFIED:		APVD		FPC CONNECTOR, 0.5mm PITCH, TOP CONTACT, SMT TYPE.	
0 PLC ±		PRODUCT SPEC		SIZE	
1 PLC ±		APPLICATION SPEC		CAGE CODE	
2 PLC ±		WEIGHT		DRAWING NO	
3 PLC ±		CUSTOMER DRAWING		RESTRICTED TO	
4 PLC ±		SCALE		SHEET 3 of 3	
ANGLES ±		REV		A4	