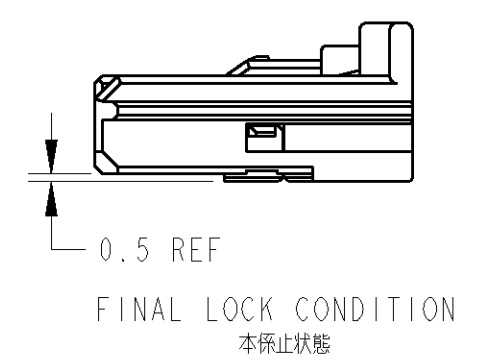
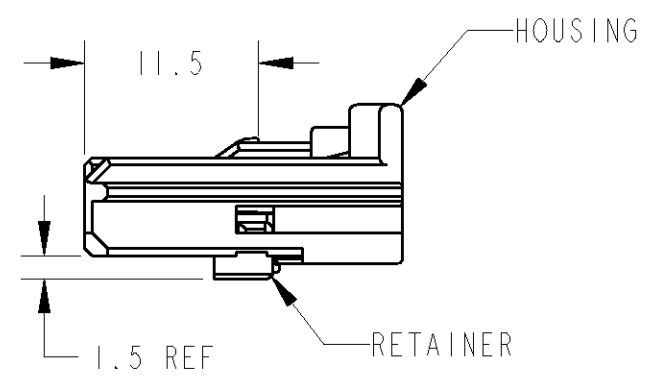
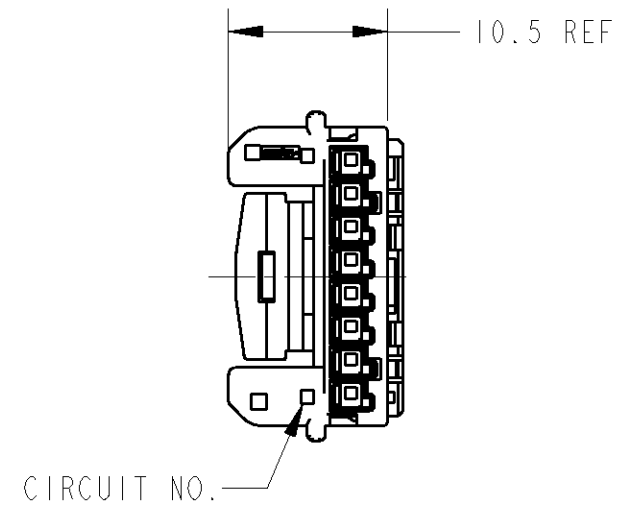
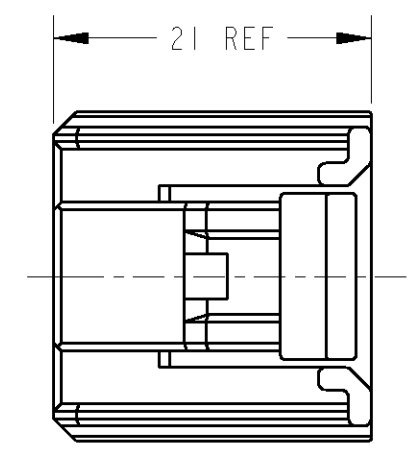
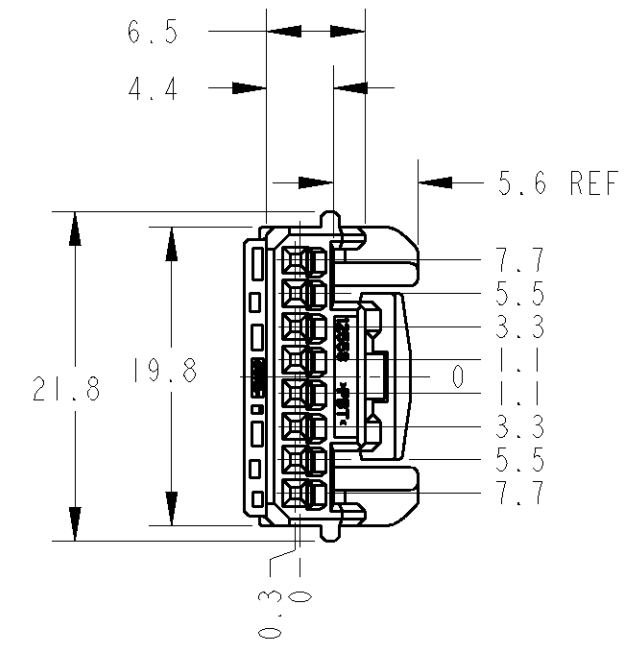


THIS DRAWING IS UNPUBLISHED. RELEASED FOR PUBLICATION 20
 © COPYRIGHT 20 BY TYCO ELECTRONICS CORPORATION. ALL RIGHTS RESERVED.

LOC	DIST	REVISIONS						
		P	LTR	DESCRIPTION	ECN	DATE	DWN	APVD
J	-		0	RELEASED	FJA0-0387-04	13AUG04	YM	HY
			01	REVISED	FJA0-0014-05	7JAN05	YM	HY



1. RETAINER SHOULD BE PRE-ASSEMBLED CONDITION TO HOUSING.
2. INSTRUCTION SHEET NO. 411-78080.
3. PART NUMBER OF CAP HOUSING TO BE MATED : SEE TABLE-1
4. APPLIED TERMINALS : SEE TABLE-2

1. プラグハウジングにリテーナを仮係止して出荷される
2. 取扱説明書NO. 411-78080
3. 嵌合相手型番 : TABLE-1参照
4. 適用端子 : TABLE-2参照

TABLE-1

POS 極数	CAP ASSEMBLY PART NO. キャップ番号
8	1376366
	1747285

TABLE-2

		TERMINAL NO. 端子型番	APPLICABLE WIRE RANGE 適用電線
SIGNAL 0.64111	TIN	1674311-1	AVSS/CAVS/CAVUS/AVSSH-f
	SELECTIVE GOLD	1674311-2	0.3~0.5mm ²

PAPER BOX タンボール	PLASTIC BAG ビニール袋	BLACK	1746875-2
		NATURAL	1746875-1
OUTER 外装	INNER 内装	COLOR	PART NUMBER
PACKING STYLE 梱包形態			

THIS DRAWING IS A CONTROLLED DOCUMENT FOR TYCO ELECTRONICS CORPORATION
 IT IS SUBJECT TO CHANGE AND THE CONTROLLING ENGINEERING ORGANIZATION
 SHOULD BE CONTACTED FOR THE LATEST REVISION.

DIMENSIONS: 単位: 珪 mm	TOLERANCES UNLESS OTHERWISE SPECIFIED: 一般公差 ±0.3 0-PLC ± 1-PLC ±0.1 2-PLC ±0.01 3-PLC ±0.001 4-PLC ±0.0001 ANGLES ±3'00"	DWN Y. MITO 13AUG04	Tyco Electronics AMP K.K. Kawasaki, Japan
	MATERIAL 材料 PBT	CHK H. YAMAGAMI 13AUG04	
		APVD S. ISOHATA 13AUG04	
FINISH 仕上 SEE TABLE		PRODUCT SPEC 108-5931	NAME 名称 0.64111 CONNECTOR 1ROW 8 POSITION PLUG ASSEMBLY
		APPLICATION SPEC 取付適用規格 114-5329	SIZE A3
		WEIGHT 2.27 g	CAGE CODE 00779
		CUSTOMER DRAWING	DRAWING NO 1746875
		SCALE 尺度 2:1	RESTRICTED TO -
		SHEET 1	REV 01