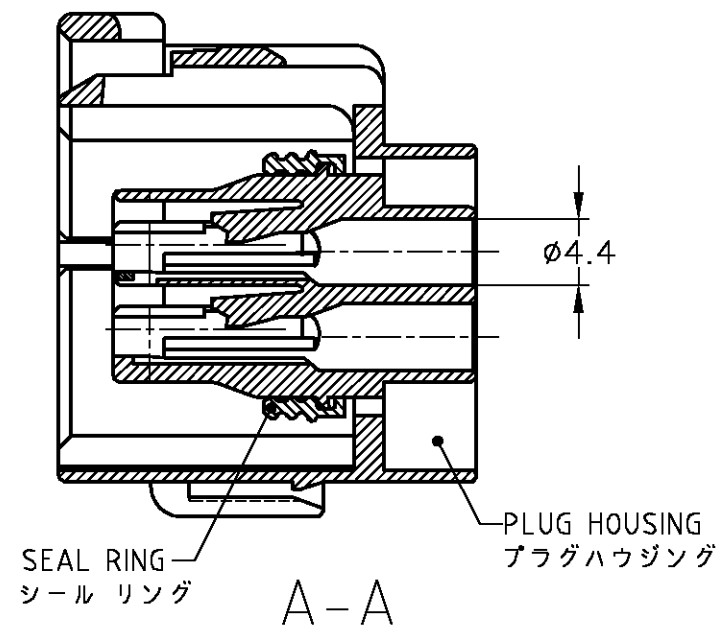
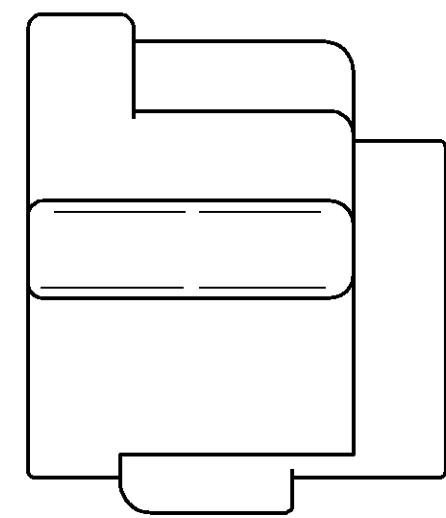
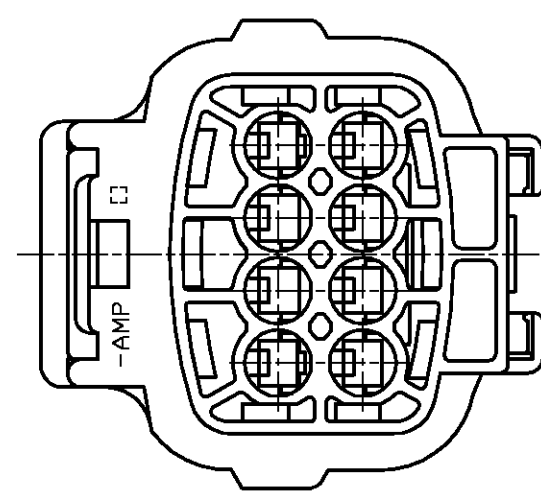
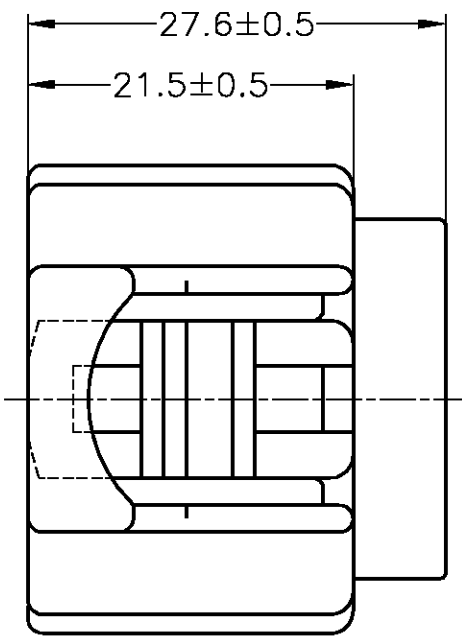
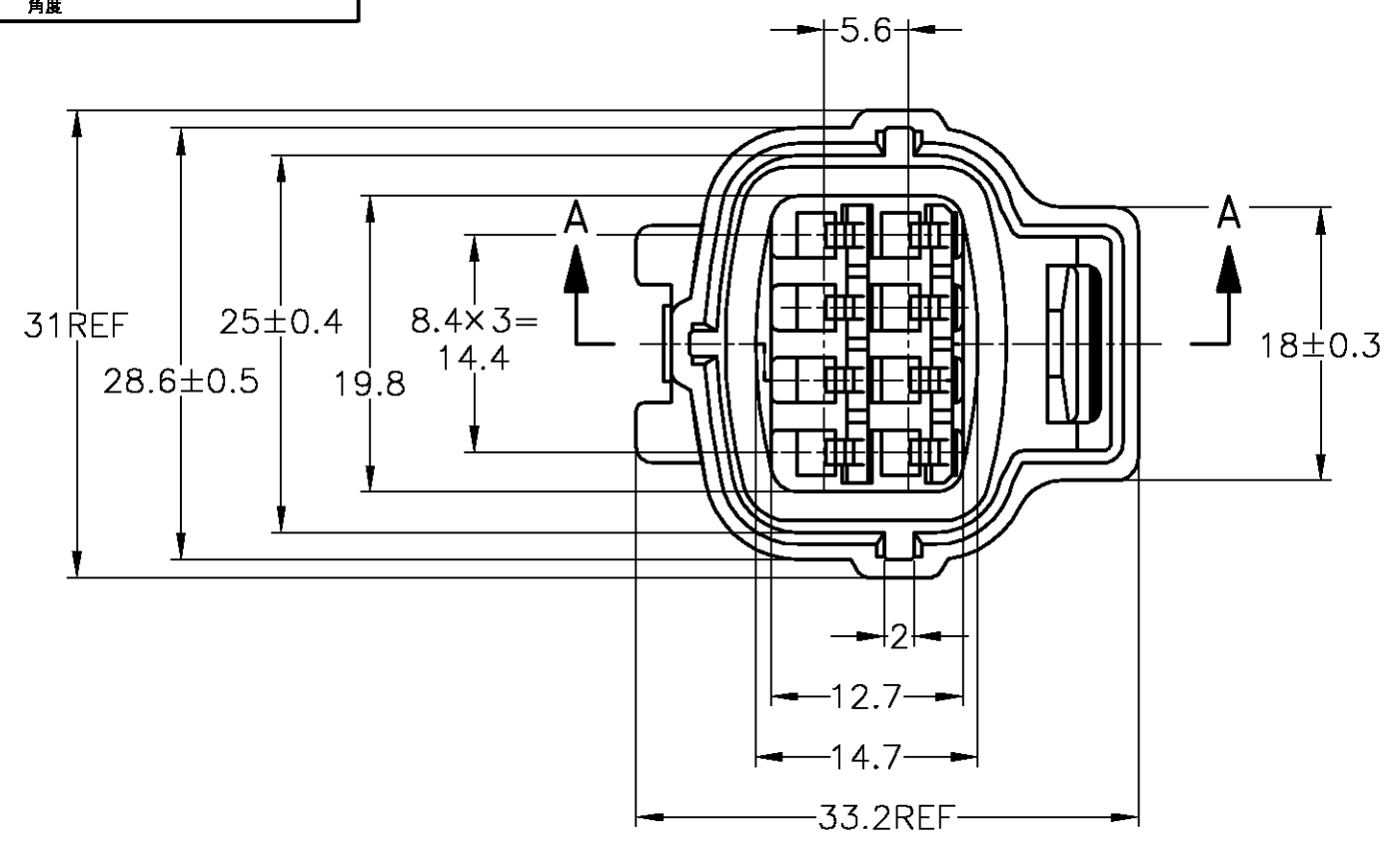


THIS DRAWING IS UNPUBLISHED. RELEASED FOR PUBLICATION
 © COPYRIGHT BY TYCO ELECTRONICS CORPORATION. ALL RIGHTS RESERVED.

LOC	DIST	REVISIONS					
J	—	P	LTR	DESCRIPTION	DATE	DWN	APVD
		B1		REDRAWN W/CHANGE	FJA0-0052-04	09FEB04	TS KB

TOLERANCE UNLESS OTHERWISE SPECIFIED:
 一般公差
 0 < x ≤ 10 : ±0.2
 10 < x ≤ 30 : ±0.25
 30 < x ≤ 100 : ±0.3
 ANGLE : ±3°
 角度



- 1. 嵌合相手型番: 174984
 - 2. 本品はプラグハウジング単体にシールリングがアッセンブリされたものである。
 - 3. 本品はダブルロックプレート型番 174983を装着して使用する。
- 1. FOR CAP HOUSING PN 174984
 - 2. THIS PART IS COMPOSED OF PLUG HOUSING AND SEAL RING
 - 3. THIS PART MUST BE USED WITH DOUBLE LOCK PLATE PN 174983

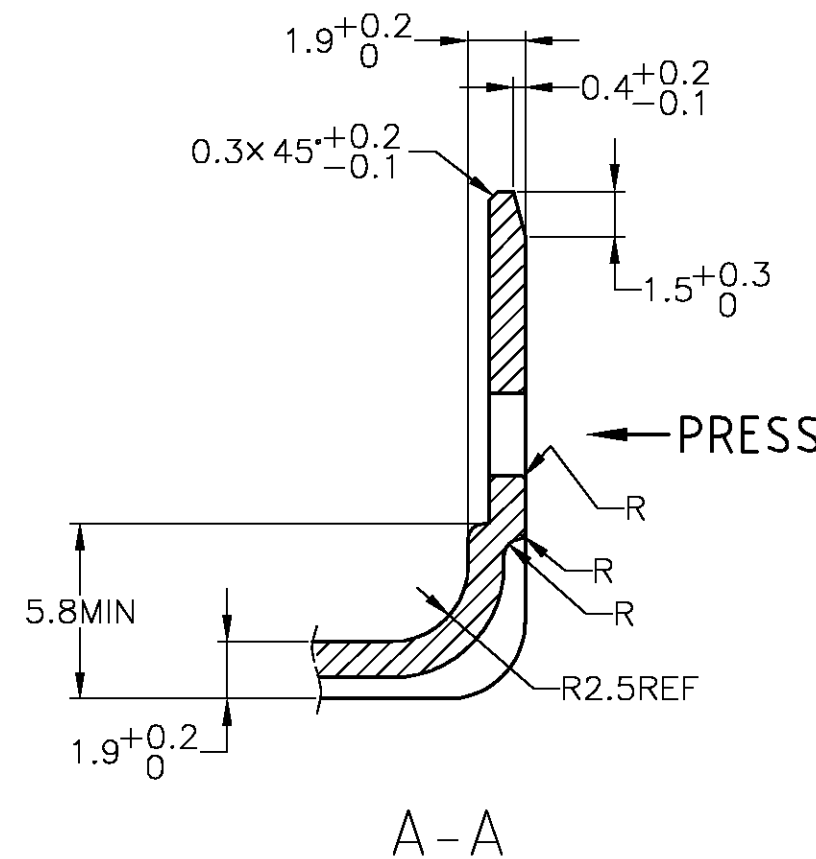
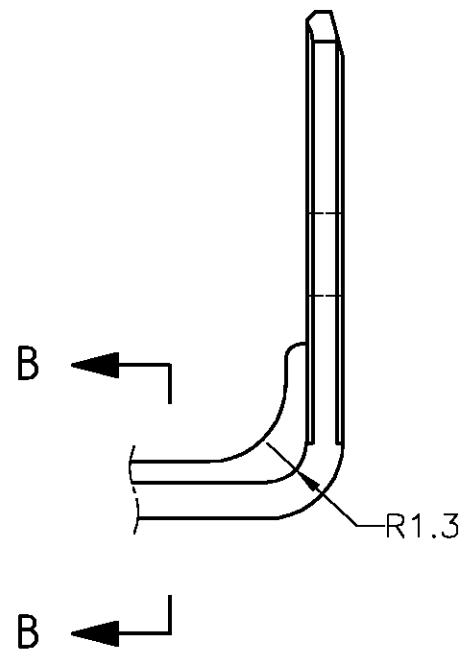
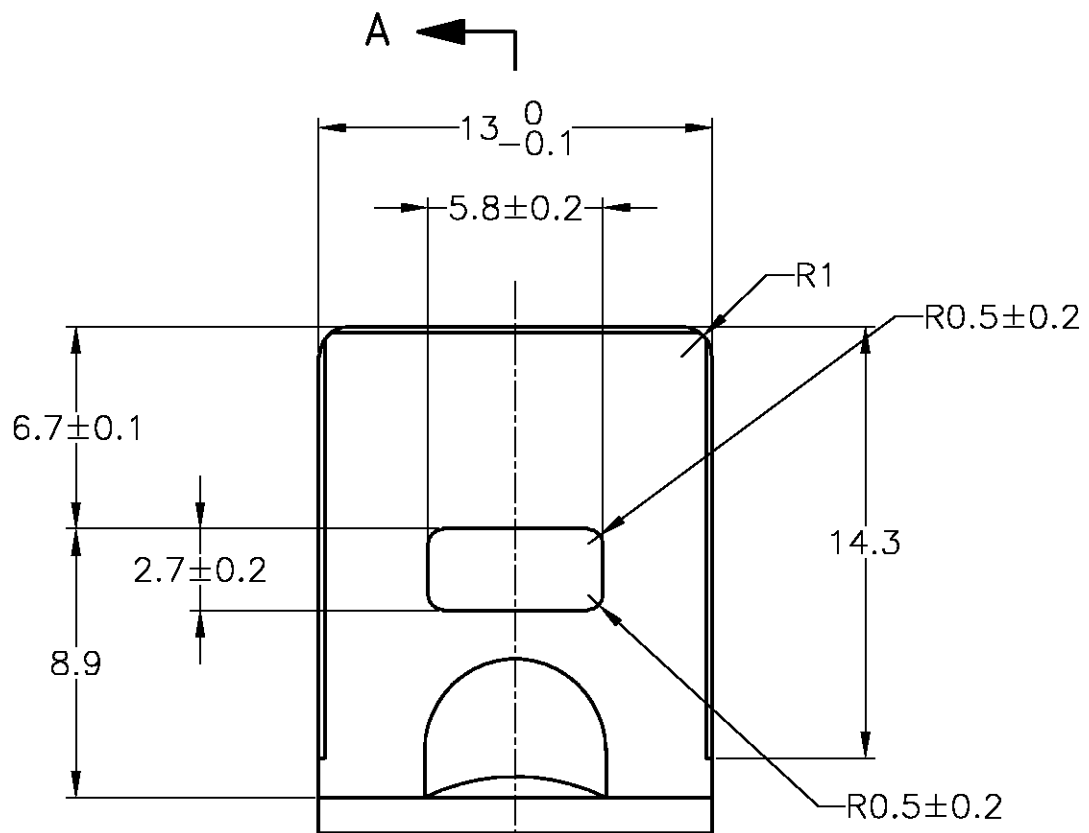
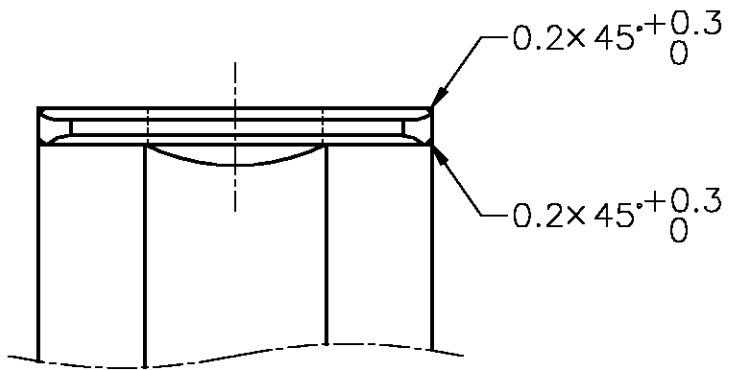
黒 BLACK	174982-2
色 COLOR	型番 PN

THIS DRAWING IS A CONTROLLED DOCUMENT.		DWN T.SHINOHARA 09FEB04	Tyco Electronics AMP K.K. Kawasaki, Japan	
DIMENSIONS: 単位: 概 MM		CHK K.BETSUI 09FEB04	NAME 名称 8Pos. ECONOSEAL J-MARKII+ CONNECTOR PLUG HOUSING	
TOLERANCES UNLESS OTHERWISE SPECIFIED: 一般公差		APVD K.BETSUI 09FEB04	PRODUCT SPEC 製品規格 108-5262	SIZE A3
0 PLC ± -		APPLICATION SPEC 取付適用規格 114-5082	WEIGHT 11g	CAGE CODE 00779
1 PLC ± -		MATERIAL 材料 PBT	FINISH 仕上	DRAWING NO 番号 C-174982
2 PLC ± -		CUSTOMER DRAWING		
3 PLC ± -		SCALE 尺度 2:1		
4 PLC ± -		SHEET 1 OF 2		
ANGLES ± -		REV B1		

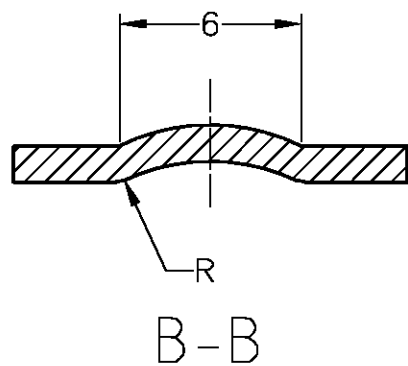
THIS DRAWING IS UNPUBLISHED. RELEASED FOR PUBLICATION
 © COPYRIGHT BY TYCO ELECTRONICS CORPORATION. ALL RIGHTS RESERVED.

LOC	DIST	REVISIONS					
		P	LTR	DESCRIPTION	DATE	DWN	APVD
J	—	—	—	SEE 1 OF 2	—	—	—

ブラケット推奨寸法図
 RECOMMENDED DIMENSION OF BRACKET



t = 1.2 ± 0.08



TOLERANCE UNLESS OTHERWISE SPECIFIED: 一般公差

0 < x ≤ 10	: ±0.2
10 < x ≤ 30	: ±0.25
30 < x ≤ 100	: ±0.3
ANGLE ; 角度	: ±3°

THIS DRAWING IS A CONTROLLED DOCUMENT.		DWN T.SHINOHARA 09FEB04	tyco Tyco Electronics AMP K.K. Kawasaki, Japan	
DIMENSIONS: 単位: 概 MM		CHK K.BETSUI 09FEB04	NAME 名称 8Pos. ECONOSEAL J-MARKII+ CONNECTOR PLUG HOUSING	
TOLERANCES UNLESS OTHERWISE SPECIFIED: 一般公差		APVD K.BETSUI 09FEB04	SIZE A3	CAGE CODE 00779
0 PLC ± -		PRODUCT SPEC 製品規格	DRAWING NO 番号 C-174982	RESTRICTED TO -
1 PLC ± -		APPLICATION SPEC 取付適用規格	SCALE 尺度 4:1	
2 PLC ± -		WEIGHT	SHEET 2 OF 2	REV B1
3 PLC ± -		CUSTOMER DRAWING		
4 PLC ± -				
ANGLES ± -				
FINISH 仕上				
MATERIAL 材料				