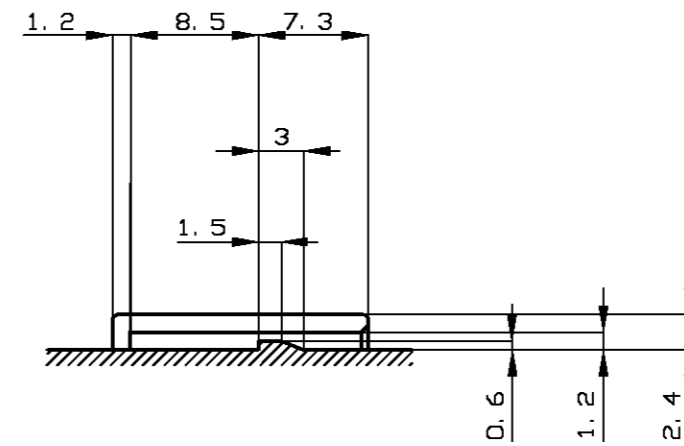
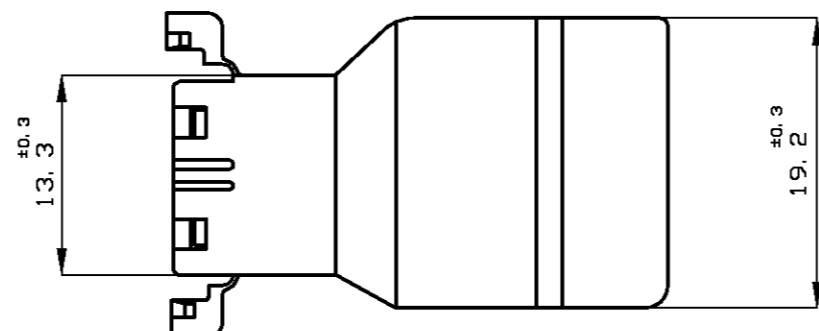
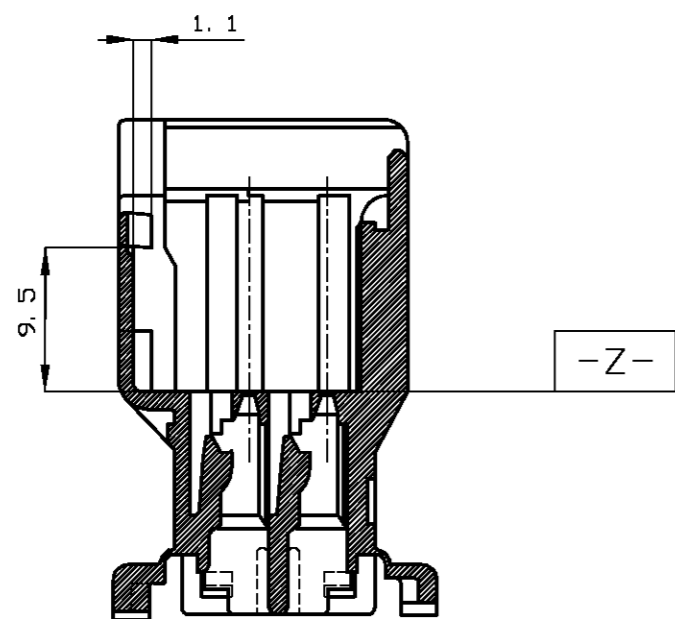
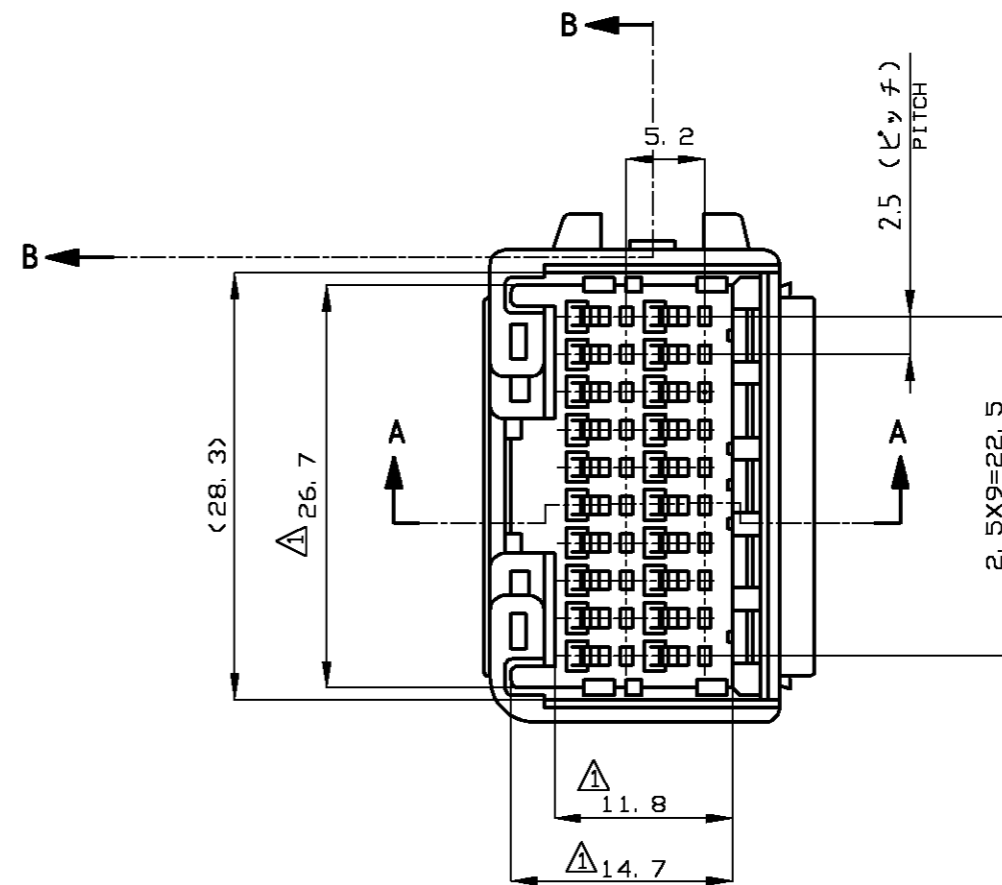
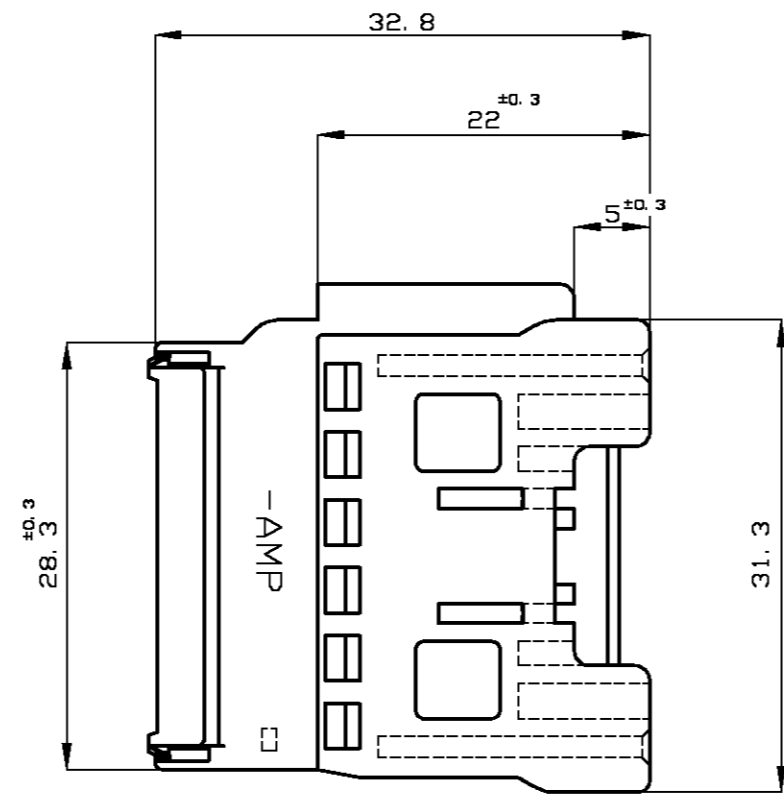
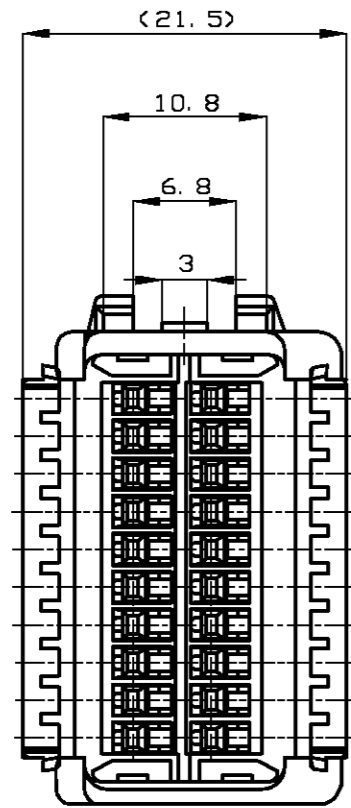


THIS DRAWING IS UNPUBLISHED. RELEASED FOR PUBLICATION  
 COPYRIGHT BY TYCO ELECTRONICS CORPORATION. ALL RIGHTS RESERVED.

LOC	DIST	REVISIONS					
J	-	P	LTR	DESCRIPTION	DATE	DWN	APVD
		D2	REVISED	ECR-06-018497	04AUG06	MS	KB



A-A

二重ロック時  
DOUBLE LOCKED

△ TO BE MEASURED WITHIN 2mm FROM -Z-  
 2. APPLICABLE TERMINAL NO. 173682

△ -Z- 面から2mmの範囲で測定  
 2. 適用端子型番：173682

<b>OB</b> SOLETE	青 (BLUE)	175652-5
	緑 (GREEN)	175652-4
	黒 (BLACK)	175652-2
	色 (COLOR)	製品型番 (PART NO.)

TOLERANCE UNLESS OTHERWISE SPECIFIED:  
 一般公差

0 < x ≤ 10	: ±0.2
10 < x ≤ 30	: ±0.25
30 < x ≤ 100	: ±0.3
ANGLE	: ±3°

THIS DRAWING IS A CONTROLLED DOCUMENT.

DIMENSIONS: 単位: 概 mm	TOLERANCES UNLESS OTHERWISE SPECIFIED: 一般公差	DWN M.SUGAWARA 04AUG06	Tyco Electronics AMP K.K. Kawasaki, Japan
	0 PLC ± 1 PLC ± - 2 PLC ± - 3 PLC ± - 4 PLC ± - ANGLES ± -	CHK K.BETSUI 04AUG06 APVD K.BETSUI 04AUG06 PRODUCT SPEC 108-5352 APPLICATION SPEC 取付適用規格	
MATERIAL 材料 PBT	FINISH 仕上 -	WEIGHT -	SIZE A2 CAGE CODE 00779 DRAWING NO. 番号 175652 RESTRICTED TO -

CUSTOMER DRAWING SCALE 2:1 SHEET 1 OF 1 REV D2