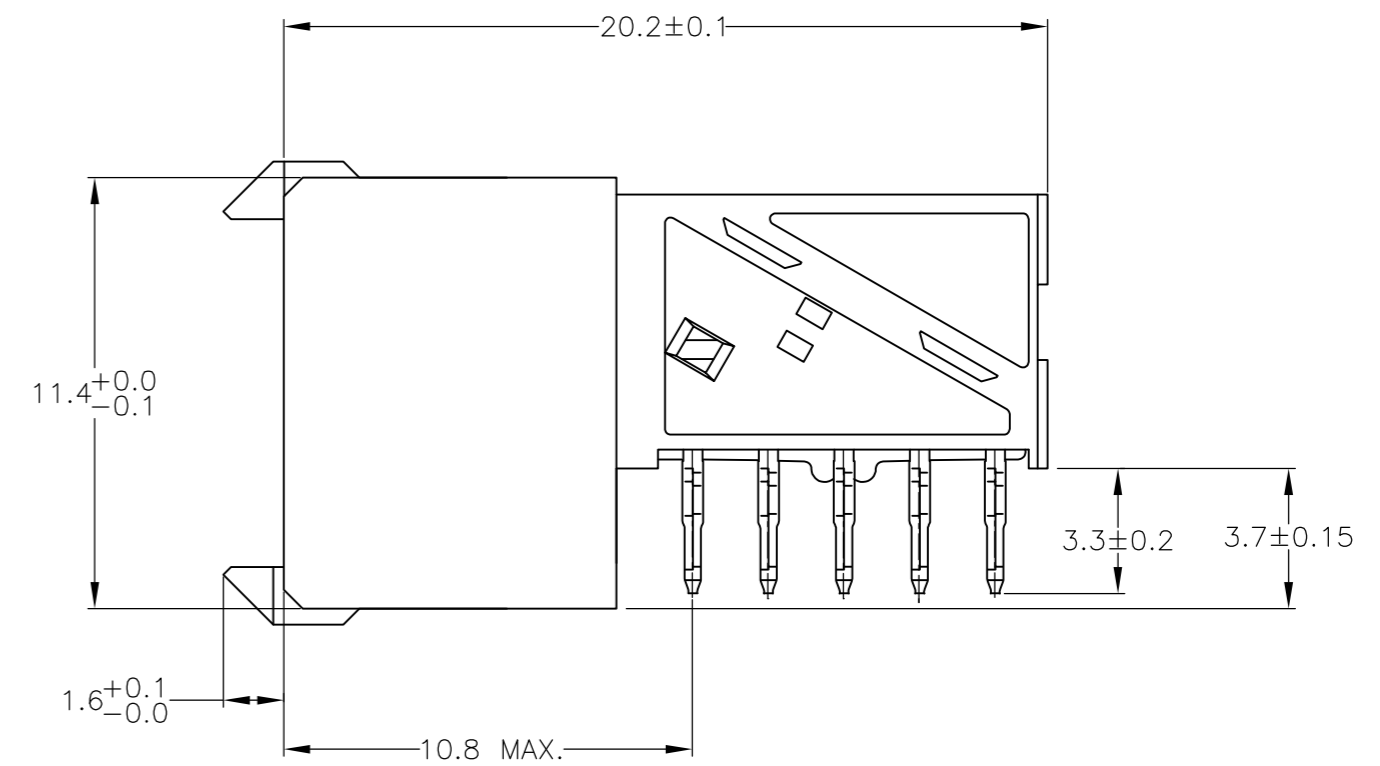
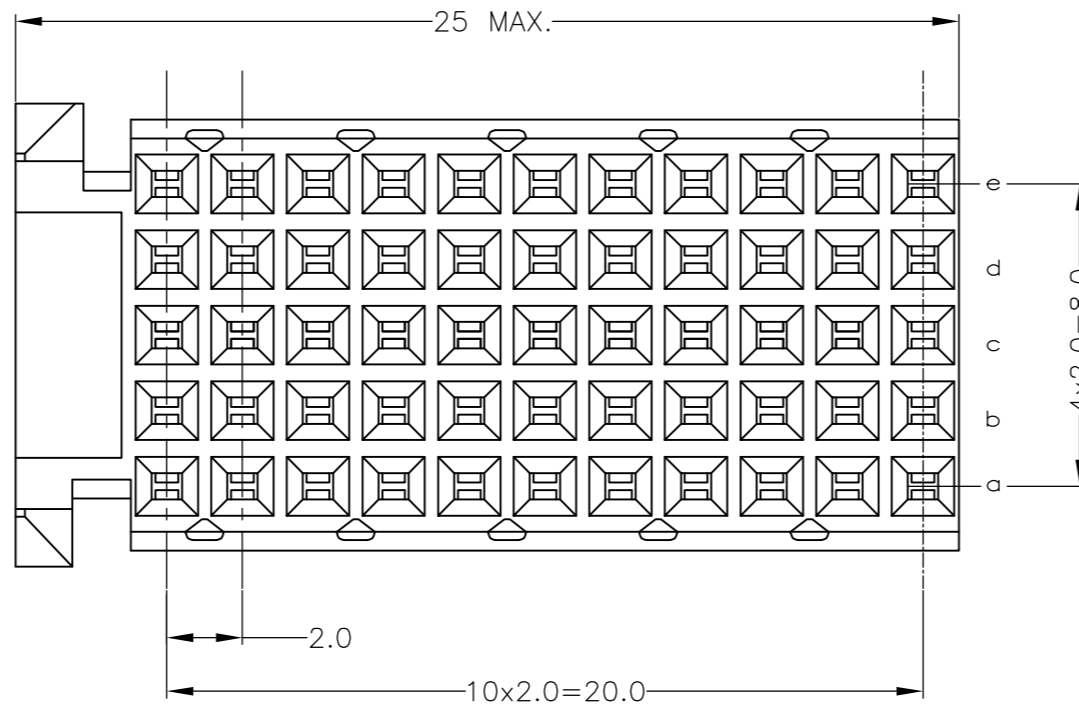
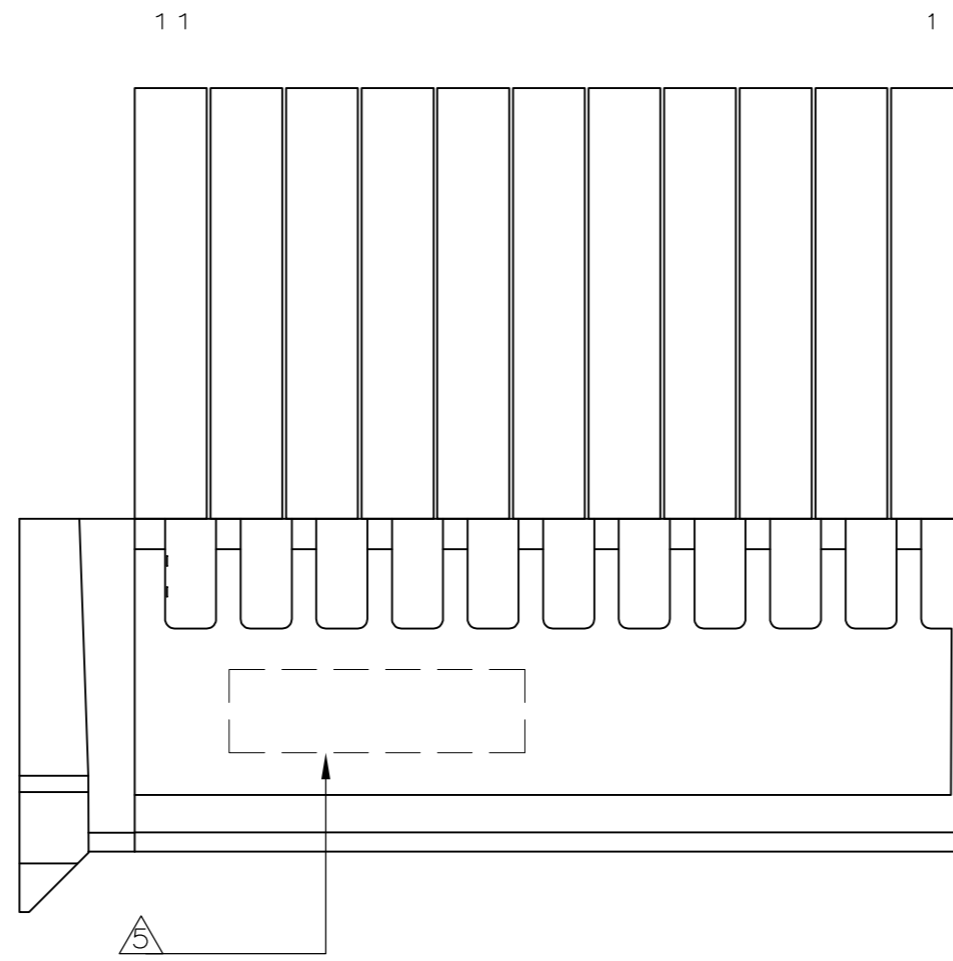
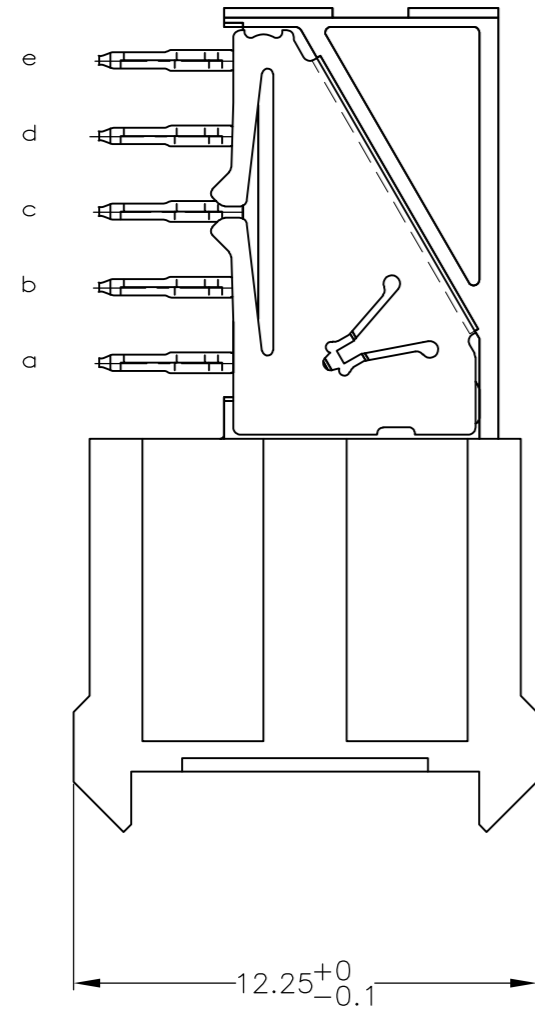


THIS DRAWING IS UNPUBLISHED. RELEASED FOR PUBLICATION ZMO ,ZY2 .
 © COPYRIGHT BY TYCO ELECTRONICS CORPORATION. ALL RIGHTS RESERVED.

LOC	DIST	REVISIONS					
H	-	P	LTR	DESCRIPTION	DATE	DWN	APVD
		J		ECR-06-026577	14-11-06	BSV	BM
		J1		REVISED PER ECO-09-021826	04SEP09	KK	AEG
		K		ECR-10-018652	10SEP10	SW	MQW



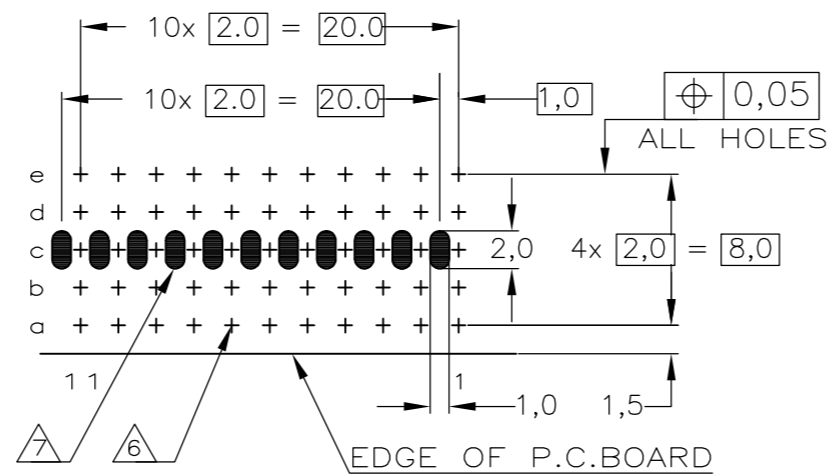
NOTES:

- ① CONTACT; PHOSPHORBRONZE
REDUCED CROSS-TALK SHIELD: PHOSPHORBRONZE
HOUSING; GLASSFILLED POLYESTER (GRAY)
- ② GENERAL CONTACT PLATING SPECIFICATION: UNDERPLATING (ENTIRE CONTACT): 1,27µm NICKEL MIN. AND ACTION PIN: 0,5µm TIN-LEAD MIN.
FOR PLATING OF MATING SURFACES SEE APPLICABLE SPECIFICATION REFERENCE FOR EACH DASH NUMBER.
REDUCED CROSS-TALK SHIELD: GOLD FLASH OVER 1,27 µm NICKEL MIN.
- ③ CONFORMS TO ALL TESTING ACCORDING IEC 61076-4-101 PERFORMANCE LEVEL 2.
- ④ CONFORMS TO ALL TESTING ACCORDING IEC 61076-4-101 PERFORMANCE LEVEL 1.
- ⑤ CONNECTOR PRINTED WITH PARTNUMBER AND DATECODE (OTHER MARKING OPTIONAL)
THE MARKING CAN APPEAR ON THE FRONT SIDE OR THE BACK SIDE.
- ⑥ PLATED-THROUGH HOLES AT 2x2mm SQUARE GRID
TOTAL 55 HOLES.
- ⑦ PLATED SPOT ONLY ON COMPONENT SIDE, FORMING ONE CONTACT WITH PLATED THROUGH HOLES OF ROW C.
- ⑧ OBSOLETE PARTS: OBSOLETE CIS STREAMLINING PER D.RENAUD/D.SINISI

RECOMMENDED P.C.B. HOLE LAY-OUT

COMPONENT SIDE AS SHOWN

SCALE 2,5:1



P.C.B. HOLE DIM. ACTION PIN
FOR DETAILS SEE
APPLICATION SPECIFICATION

⑧ OBSOLETE	②④	①	188224-4
	②③	①	188224-1
	FINISH	MATERIAL	PARTNUMBER

THIS DRAWING IS A CONTROLLED DOCUMENT.		DWN D.TRUREN	17DEC01	Tyco Electronics Corporation s-HertogenBosch, Netherlands,	
DIMENSIONS: MM		CHK W.V.D.HEIJDEN	NAME F.V.KONINGSBRUGGE		188224-4
TOLERANCES UNLESS OTHERWISE SPECIFIED:		APVD	PRODUCT SPEC 108-19082		55 POS. FEMALE DAUGHTER CARD CONN. WITH REDUCED CROSS-TALK SHIELD
⑥-PLC ±		APPLICATION SPEC 114-19029		SIZE A2	CAGE CODE 00779
①-PLC ± ±0.2		WEIGHT		DRAWING NO C=188224	
②-PLC ±		CUSTOMER DRAWING		RESTRICTED TO	
③-PLC ±		SCALE 5:1		SHEET 1 OF 1	
④-PLC ±		REVISIONS		REV K	
ANGLES ±					
FINISH					