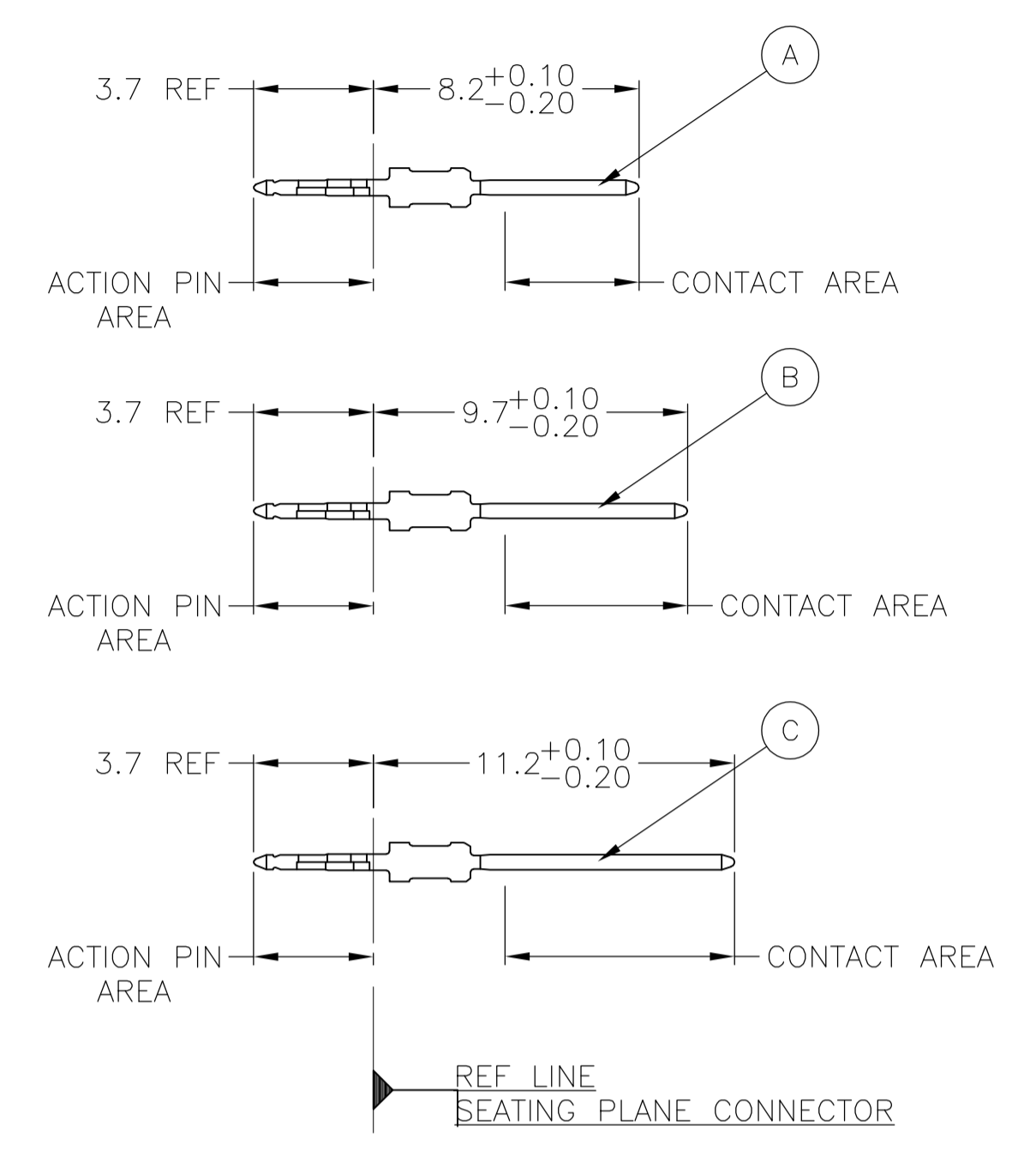


CONTACT DIMENSIONS

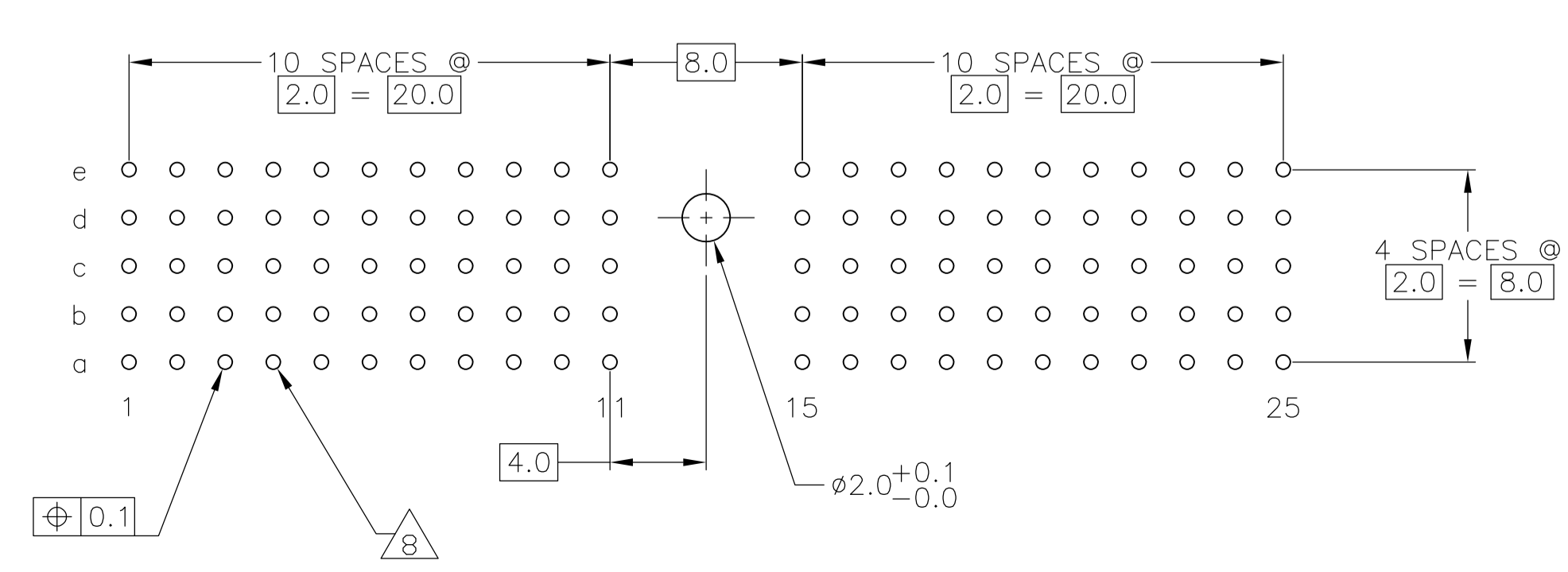
SCALE 5:1



CONTACT LAYOUT

| | z | a | b | c | d | e | f |
|----------------------|---|---|---|---|---|---|---|
| 1 | | C | B | B | B | C | |
| 2 | | A | A | A | A | A | |
| 3 | | A | A | A | A | A | |
| 4 | | A | A | A | A | A | |
| 5 | | A | A | A | A | A | |
| 6 | | A | A | A | A | A | |
| 7 | | A | A | A | A | A | |
| 8 | | A | A | A | A | A | |
| 9 | | A | A | A | A | A | |
| 10 | | A | A | A | A | A | |
| 11 | | A | A | A | A | A | |
| MULTI PURPOSE CENTER | | | | | | | |
| 15 | | A | A | A | A | A | |
| 16 | | A | A | A | A | A | |
| 17 | | A | A | A | A | A | |
| 18 | | A | A | A | A | A | |
| 19 | | A | A | A | A | A | |
| 20 | | A | A | A | A | A | |
| 21 | | A | A | A | A | A | |
| 22 | | A | A | A | A | A | |
| 23 | | A | A | A | A | A | |
| 24 | | A | A | A | A | A | |
| 25 | | C | B | B | B | C | |

RECOMMENDED PCB-HOLE LAYOUT COMPONENT SIDE SHOWN



PLATED THRU HOLES PARAMETERS

REFERENCE APPLICATION SPECIFICATION

| | | | |
|--------|---|----|-------------|
| 2 | 6 | 14 | 1-188731-9 |
| 2 | 5 | 14 | 188731-9 |
| 2 | 4 | | 188731-4 |
| 2 | 3 | | 188731-1 |
| FINISH | | | PART NUMBER |

THIS DRAWING IS A CONTROLLED DOCUMENT.

| | | | | |
|------------------|--|--------------------------|------------|---|
| DIMENSIONS: mm | TOLERANCES UNLESS OTHERWISE SPECIFIED: | DIN B. CARBO GSKIPPER | OSMAYOS | Tyco Electronics Corporation Harrisburg, Pa 17105-3608 |
| 0-PLG ± | 1-PLG ±0.1 | APVD GSKIPPER | OSMAYOS | NAME: MALE ASSEMBLY, Z-PACK 2mm HM, TYPE A |
| 2-PLG ± | 3-PLG ± | PRODUCT SPEC | | SIZE: 108-19082 |
| 4-PLG ± | ANGLES ± | APPLICATION SPEC | | APPLICATION SPEC: 114-19029 |
| MATERIAL 1 | FINISH SEE TABLE | WEIGHT | | RESTRICTED TO: A1 00779 C=188731 |
| CUSTOMER DRAWING | | | SCALE: 4:1 | SHEET 1 OF 2 REV D |

| LOC | DIST | REVISIONS | | | |
|-----|------|-------------|------|-----|-------|
| IF | LTR | DESCRIPTION | DATE | DRN | APPRO |
| AD | 00 | SEE SHEET 1 | - | - | - |

- 1 MATERIAL:
CONTACT: PHOSPHOR BRONZE.
HOUSING: GLASS-FILLED POLYESTER.
- 2 GENERAL PLATING SPECIFICATION: UNDERPLATING
(ENTIRE CONTACT): 1.27μm MIN NICKEL AND ACTION
PIN: 0.5μm MIN TIN/LEAD.
FOR PLATING OF MATING SURFACES SEE APPLICABLE
SPECIFICATION REFERENCE FOR EACH DASH NUMBER.
- 3 CONFORMS TO ALL TESTING ACCORDING TO IEC 61076-4-101
PERFORMANCE LEVEL 2.
- 4 CONFORMS TO ALL TESTING ACCORDING TO IEC 61076-4-101
PERFORMANCE LEVEL 1.
- 5 CONNECTOR TESTED AND QUALIFIED AGAINST TELCORDIA GR-1217-CORE QUALITY LEVEL 3,
CENTRAL OFFICE APPLICATIONS.
- 6 CONNECTOR TESTED AND QUALIFIED AGAINST TELCORDIA GR-1217-CORE QUALITY LEVEL 3,
UNCONTROLLED ENVIROMENT APPLICATIONS.
- 7 CONNECTOR MARKED WITH PART NUMBER AND DATE CODE.
ADDITIONAL CHARACTERS OR MARKINGS, AS WELL AS THE LOCATION OF THE MARKINGS,
MAY BE ADDED FOR TRACEABILITY BASED UPON MANUFACTURERS DISCRETION.
- 8 PLATED-THROUGH HOLES AT 2x2mm SQUARE GRID
PATTERN DEFINED BY CONTACT LAYOUT.
- 9 FOR ACTUAL PIN LOADING SEE "CONTACT LAYOUT".
- 10 FOR ACTUAL PIN DIMENSIONS SEE "CONTACT DIMENSIONS".
- 11 TO BE MEASURED AT BOTTOM OF SHROUD.
- 12 POLARIZATION FEATURE.
- 13 AREA RESERVED FOR KEYING PART (BASIC P/N 100525)
- 14 CONNECTOR LUBRICATED WITH BELCORE APPROVED LUBRICANT,
TECHNICAL REFERENCE: TR-NWT-001217 ISSUE 1, SEP 1992.

| | | | | | |
|--|-----------------------|---------------------------|--------------------|---|--------------------|
| THIS DRAWING IS A CONTROLLED DOCUMENT. | | DRN B. CARBO | OSMAYOS | Tyco Electronics Corporation Harrisburg, Pa 17105-3608 | |
| DIMENSIONS: mm | | CHK G. SKIPPER | OSMAYOS | NAME G. SKIPPER | |
| TOLERANCES UNLESS OTHERWISE SPECIFIED: 0-PLC ± 1-PLC ±0.1 2-PLC ± 3-PLC ± 4-PLC ± ANGLES ± | | PRODUCT SPEC 108-19082 | OSMAYOS | APPLICATION SPEC 114-19029 | |
| MATERIAL SEE SHEET 1 | FINISH SEE SHEET 1 | SIZE A1 | CAGE CODE 00779 | DRAWING NO 188731 | RESTRICTED TO - |
| CUSTOMER DRAWING | | | SCALE 4:1 | SHEET 2 OF 2 | REV D |