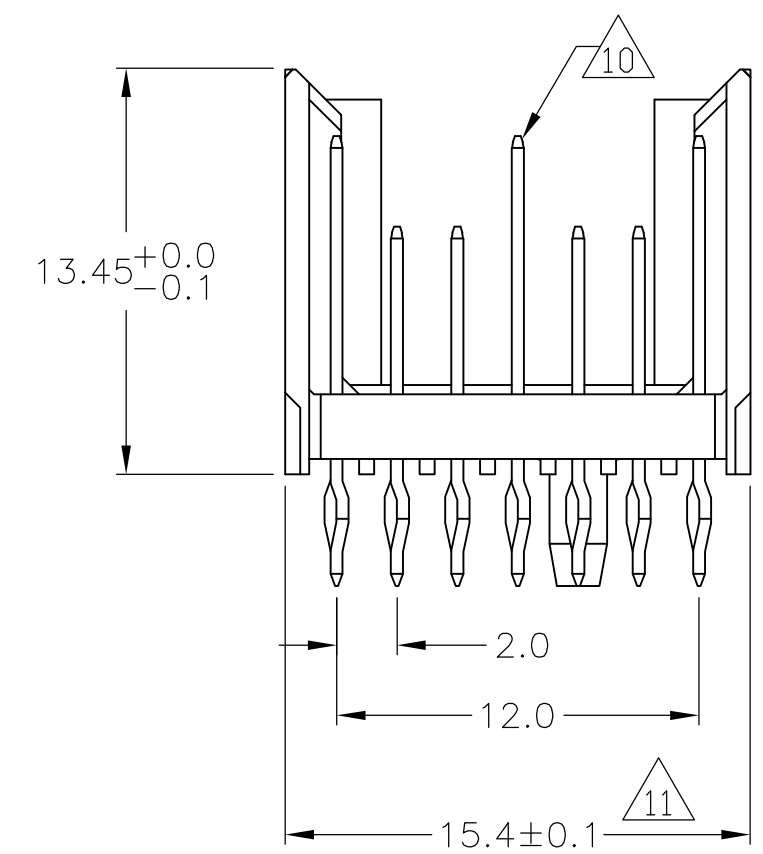
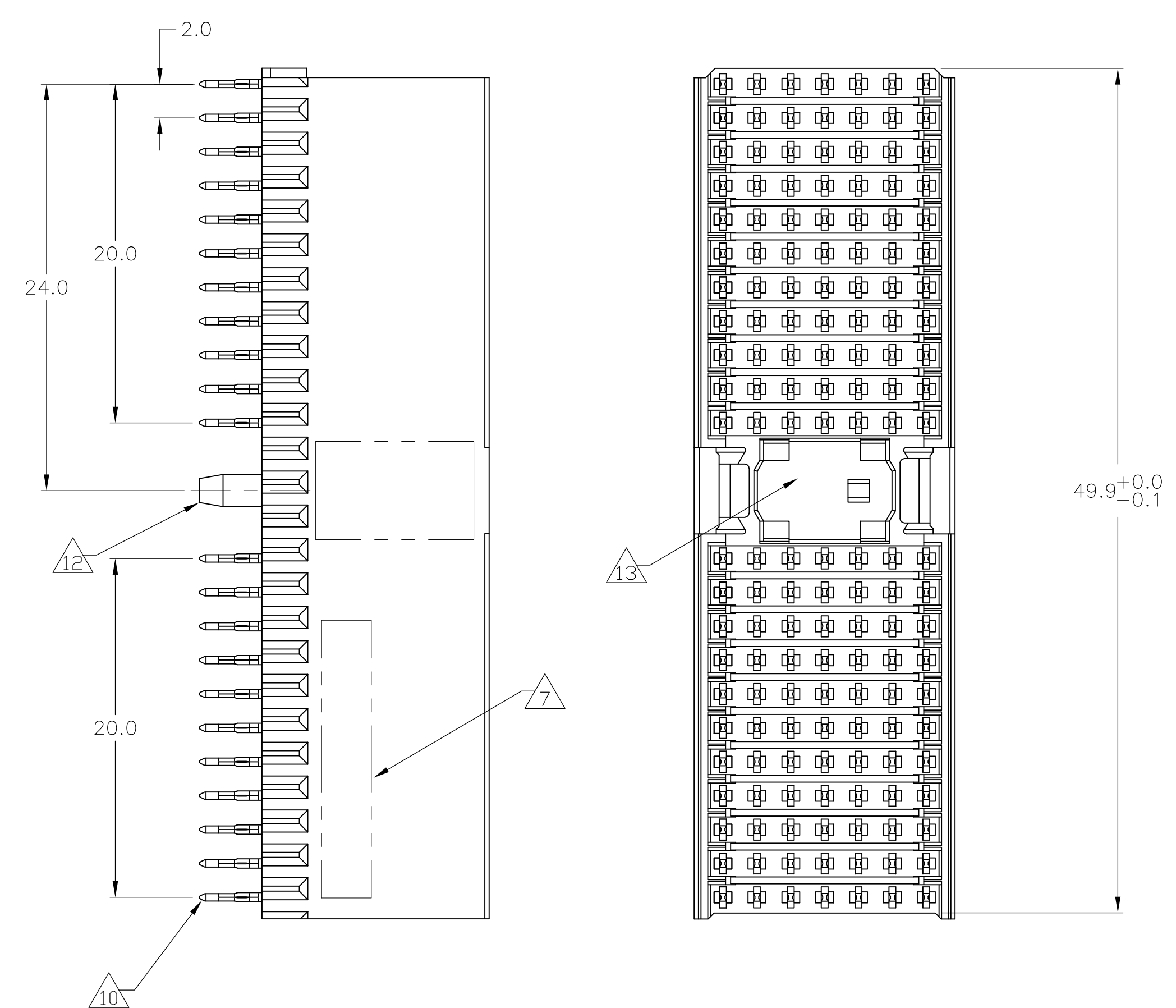
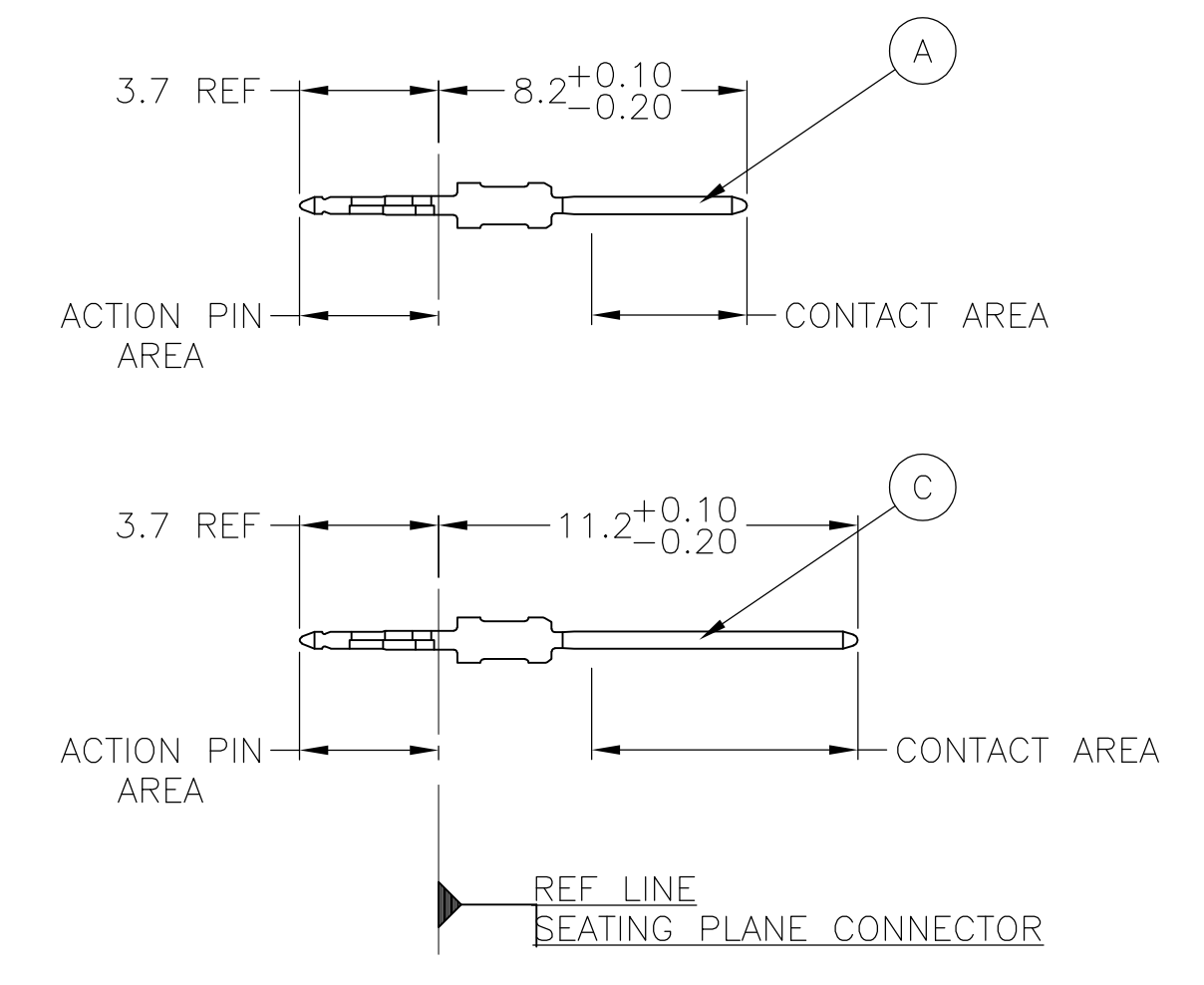


LOC	DIST	REVISIONS				
AD	00	REV	DESCRIPTION	DATE	DRN	APVD
		B	REVISED PER ECN 0512-0304-05	13JUN06	JDP	GES
		C	ECR-10-019054	15SEP10	SW	MQW

CONNECTOR ASSEMBLY EXAMPLARY LOADED



CONTACT DIMENSIONS SCALE 5:1

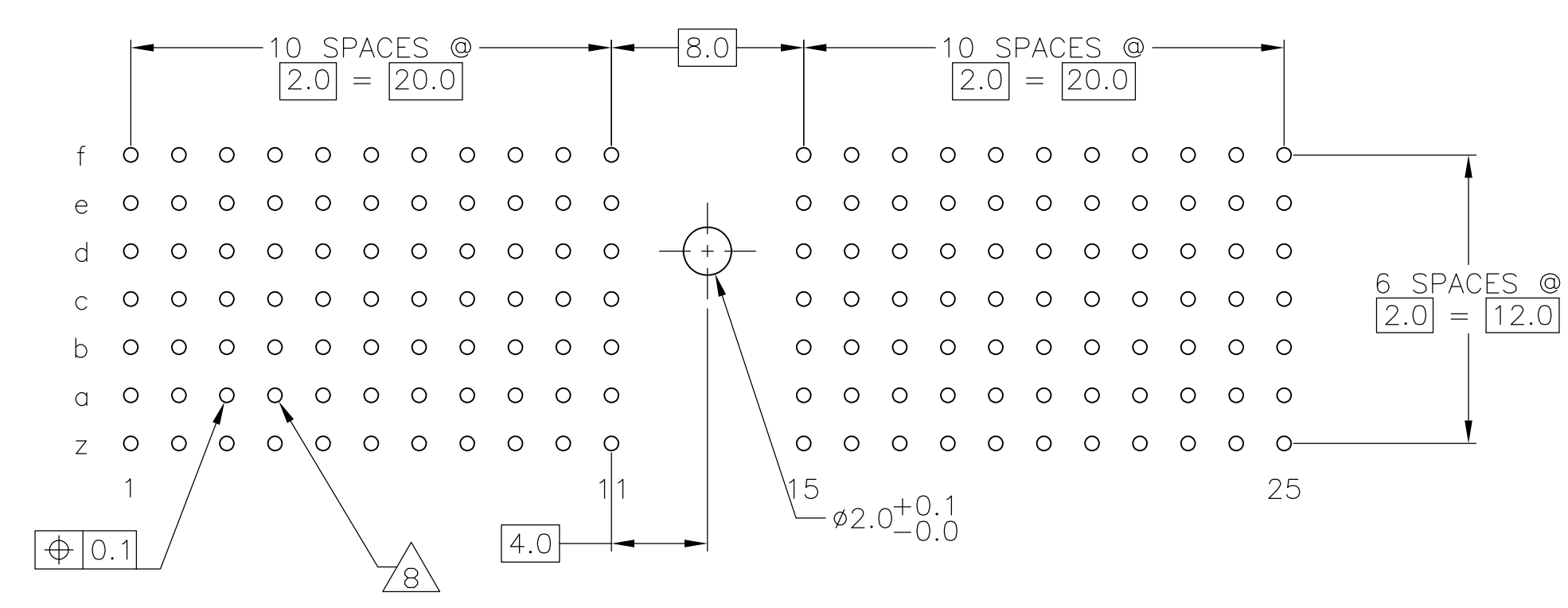


CONTACT LAYOUT

	z	a	b	c	d	e	f
1	C	A	A	C	A	A	C
2	C	A	A	C	A	A	C
3	C	A	A	C	A	A	C
4	C	A	A	C	A	A	C
5	C	A	A	C	A	A	C
6	C	A	A	C	A	A	C
7	C	A	A	C	A	A	C
8	C	A	A	C	A	A	C
9	C	A	A	C	A	A	C
10	C	A	A	C	A	A	C
11	C	A	A	C	A	A	C
MULTI PURPOSE CENTER							
15	C	A	A	C	A	A	C
16	C	A	A	C	A	A	C
17	C	A	A	C	A	A	C
18	C	A	A	C	A	A	C
19	C	A	A	C	A	A	C
20	C	A	A	C	A	A	C
21	C	A	A	C	A	A	C
22	C	A	A	C	A	A	C
23	C	A	A	C	A	A	C
24	C	A	A	C	A	A	C
25	C	A	A	C	A	A	C

RECOMMENDED PCB-HOLE LAYOUT COMPONENT SIDE SHOWN

PLATED THRU HOLES PARAMETERS REFERENCE APPLICATION SPECIFICATION



2 6 14	1-188829-9
2 5 14	188829-9
2 4	188829-4
2 3	188829-1
FINISH	PART NUMBER

THIS DRAWING IS A CONTROLLED DOCUMENT.

DRAWN BY: CARBO	26AUG05	Tyco Electronics Corporation Harrisburg, Pa 17105-3608
CHK: G.SKIPPER	26AUG05	
PRODUCT SPEC	108-19082	MALE ASSEMBLY, Z-PACK 2mm HM, TYPE A
APPLICATION SPEC	114-19029	RESTRICTED TO
MATERIAL: 1	SEE TABLE	SIZE: A1
		SCALE: 4:1
		SHEET: 1 OF 2
		REV: C

LOC		DIST		REVISIONS			
P	LTR	DESCRIPTION	DATE	DN	APVD		
AD	00	SEE SHEET 1	-	-	-	-	-

- 1 MATERIAL:
CONTACT: PHOSPHOR BRONZE.
HOUSING: GLASS-FILLED POLYESTER.
- 2 GENERAL PLATING SPECIFICATION: UNDERPLATING
(ENTIRE CONTACT): 1.27µm MIN NICKEL AND ACTION
PIN: 0.5µm MIN TIN/LEAD.
FOR PLATING OF MATING SURFACES SEE APPLICABLE
SPECIFICATION REFERENCE FOR EACH DASH NUMBER.
- 3 CONFORMS TO ALL TESTING ACCORDING TO IEC 61076-4-101
PERFORMANCE LEVEL 2.
- 4 CONFORMS TO ALL TESTING ACCORDING TO IEC 61076-4-101
PERFORMANCE LEVEL 1.
- 5 CONNECTOR TESTED AND QUALIFIED AGAINST TELCORDIA GR-1217-CORE QUALITY LEVEL 3,
CENTRAL OFFICE APPLICATIONS.
- 6 CONNECTOR TESTED AND QUALIFIED AGAINST TELCORDIA GR-1217-CORE QUALITY LEVEL 3,
UNCONTROLLED ENVIROMENT APPLICATIONS.
- 7 CONNECTOR MARKED WITH PART NUMBER AND DATE CODE.
ADDITIONAL CHARACTERS OR MARKINGS, AS WELL AS THE LOCATION OF THE MARKINGS,
MAY BE ADDED FOR TRACEABILITY BASED UPON MANUFACTURERS DISCRETION.
- 8 PLATED-THROUGH HOLES AT 2x2mm SQUARE GRID
PATTERN DEFINED BY CONTACT LAYOUT.
- 9 FOR ACTUAL PIN LOADING SEE "CONTACT LAYOUT".
- 10 FOR ACTUAL PIN DIMENSIONS SEE "CONTACT DIMENSIONS".
- 11 TO BE MEASURED AT BOTTOM OF SHROUD.
- 12 POLARIZATION FEATURE.
- 13 AREA RESERVED FOR KEYING PART (BASIC P/N 100525).
- 14 CONNECTOR LUBRICATED WITH BELCORE APPROVED LUBRICANT,
TECHNICAL REFERENCE: TR-NWT-001217 ISSUE 1, SEP 1992.

THIS DRAWING IS A CONTROLLED DOCUMENT.		DIN E CARBO 26AUG05	Tyco Electronics Corporation Harrisburg, Pa 17105-3608	
DIMENSIONS: mm		CHK G SKIPPER 26AUG05	NAME MALE ASSEMBLY, Z-PACK 2mm HM, TYPE A	
TOLERANCES UNLESS OTHERWISE SPECIFIED: 0-PLG ± 1-PLG ±0.1 2-PLG ± 3-PLG ± 4-PLG ± ANGLES ±		APVD G SKIPPER 26AUG05	PRODUCT SPEC 108-19082	
MATERIAL SEE SHEET 1		FINISH SEE SHEET 1	APPLICATION SPEC 114-19029	RESTRICTED TO -
WEIGHT -		SIZE A1	CAGE CODE 00779	DRAWING NO 188829
CUSTOMER DRAWING		SCALE 4:1	SHEET 2	OF 2
		REV C		