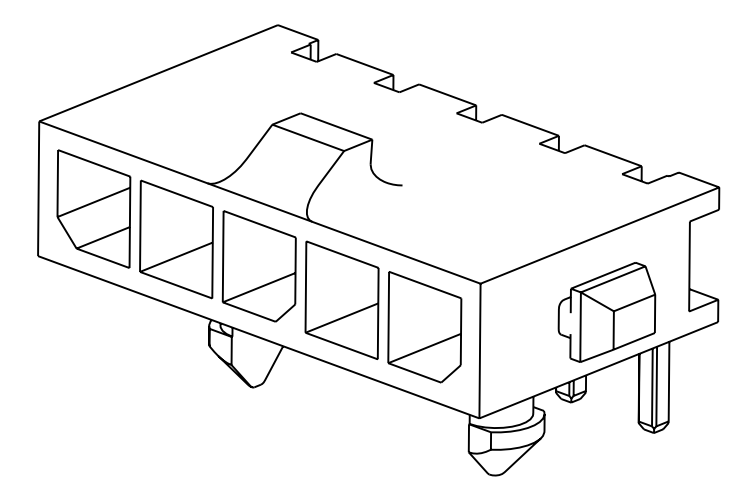
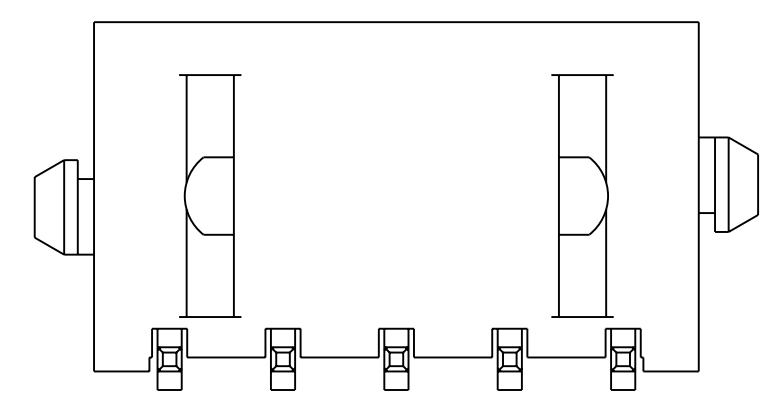
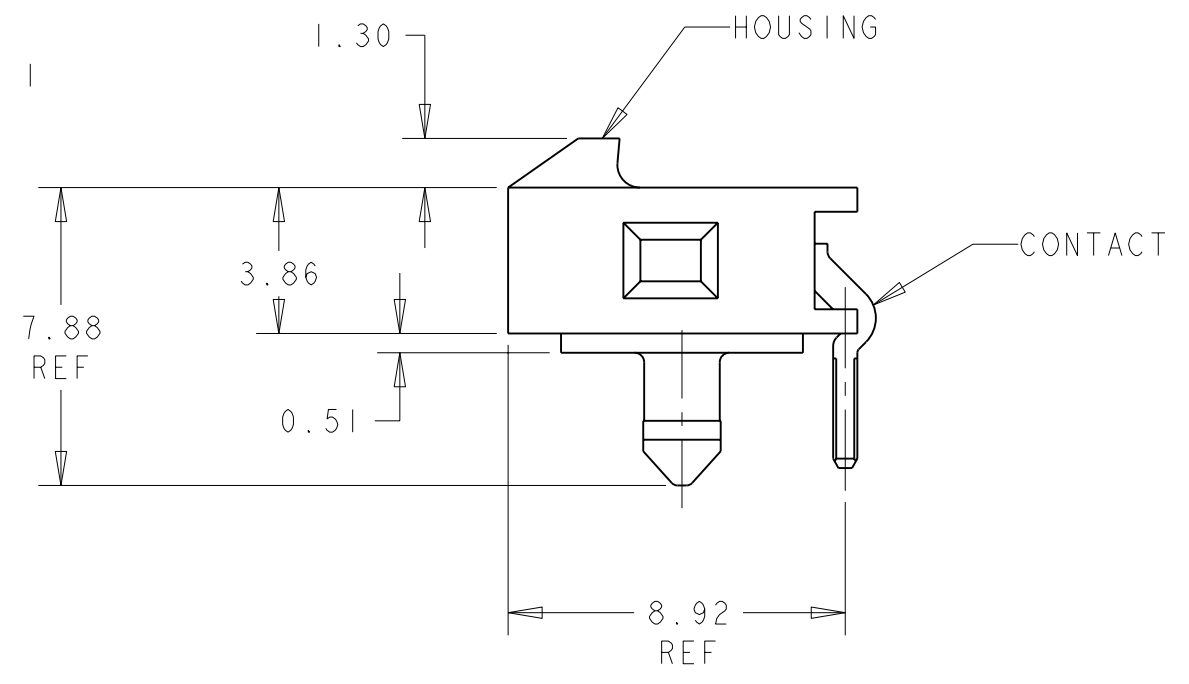
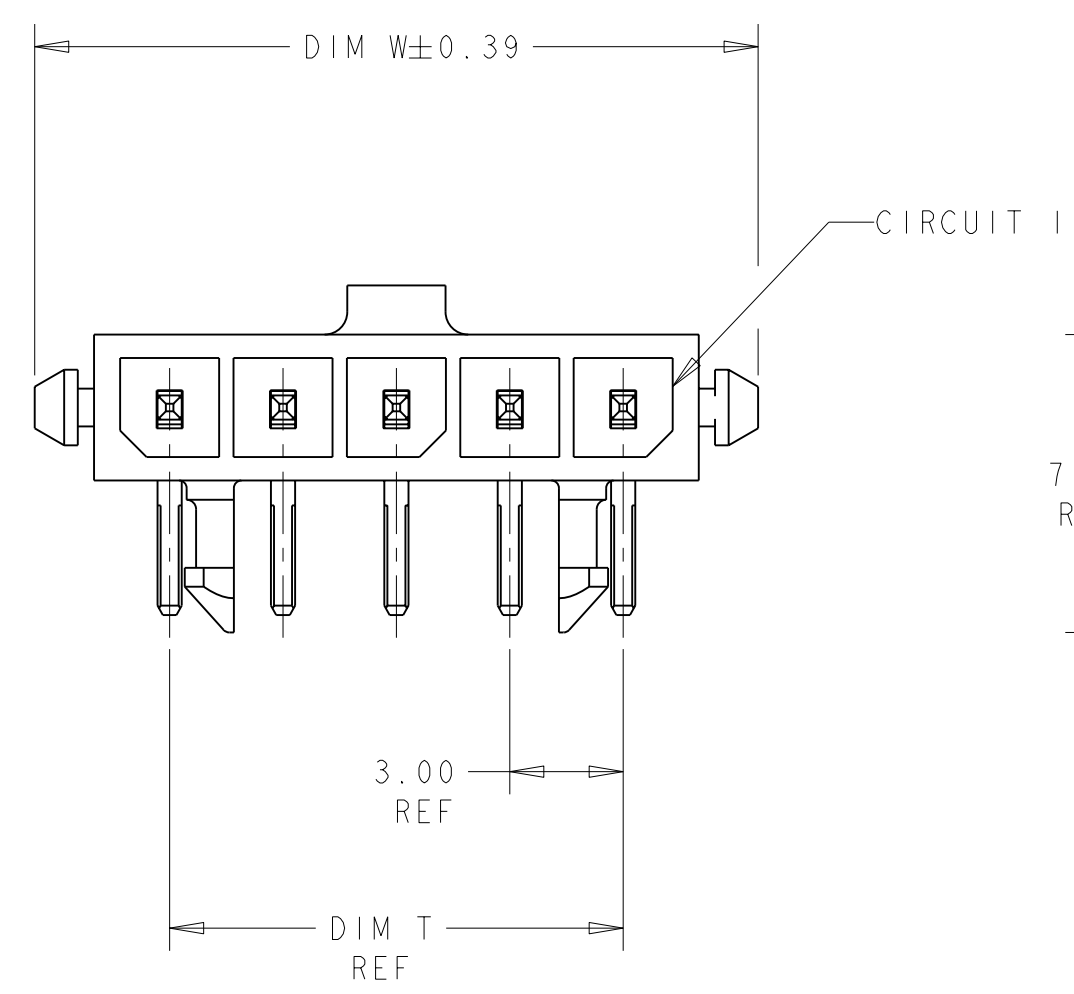


THIS DRAWING IS UNPUBLISHED. RELEASED FOR PUBLICATION .19  
 BY AMP INCORPORATED. ALL RIGHTS RESERVED.

LOC		DIST		REVISIONS			
P	LTR	DESCRIPTION		DATE	DWN	APVD	
	A	RELEASED PER 063B-0206-05		10-MAY-05	KW	CJ	



- 1 MATERIAL: CONTACTS - BRASS  
HOUSING - UL 94V-0 RATED HIGH TEMP NYLON, COLOR BLACK.
- 2 PLATING: CONTACTS - 0.76µm MINIMUM GOLD ON MATING END,  
2.54µm MINIMUM TIN LEAD ON SOLDER TAILS, BOTH OVER  
1.27µm MINIMUM NICKEL.
- 3 DATUMS AND BASIC DIMENSIONS ARE ESTABLISHED BY CUSTOMER.
- 4 RECOMMENDED PC BOARD THICKNESS OF 1.57.
- 5 PLATING: CONTACTS - 0.76µm MINIMUM GOLD ON MATING END,  
2.54µm MINIMUM MATTE TIN ON SOLDER TAILS, BOTH OVER  
1.27µm MINIMUM NICKEL.

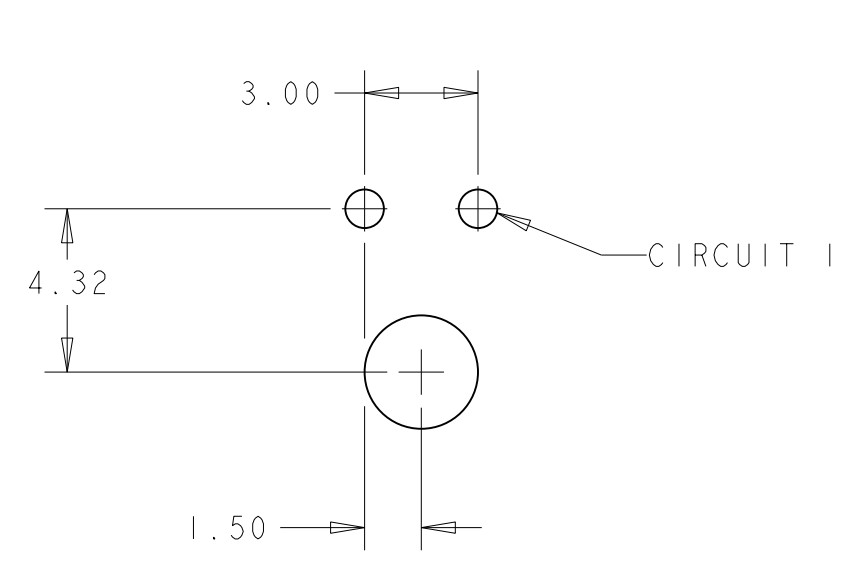
5	33.00	28.70	33.00	40.14	12	3-1445098-2
5	30.00	25.70	30.00	37.14	11	3-1445098-1
5	27.00	22.70	27.00	34.14	10	3-1445098-0
5	24.00	19.70	24.00	31.14	9	2-1445098-9
5	21.00	16.70	21.00	28.14	8	2-1445098-8
5	18.00	13.70	18.00	25.14	7	2-1445098-7
5	15.00	10.70	15.00	22.14	6	2-1445098-6
5	12.00	7.70	12.00	19.14	5	2-1445098-5
5	9.00	4.70	9.00	16.14	4	2-1445098-4
5	-	-	6.00	13.14	3	2-1445098-3
5	-	-	3.00	10.14	2	2-1445098-2
2	33.00	28.70	33.00	40.14	12	1-1445098-2
2	30.00	25.70	30.00	37.14	11	1-1445098-1
2	27.00	22.70	27.00	34.14	10	1-1445098-0
2	24.00	19.70	24.00	31.14	9	1445098-9
2	21.00	16.70	21.00	28.14	8	1445098-8
2	18.00	13.70	18.00	25.14	7	1445098-7
2	15.00	10.70	15.00	22.14	6	1445098-6
2	12.00	7.70	12.00	19.14	5	1445098-5
2	9.00	4.70	9.00	16.14	4	1445098-4
2	-	-	6.00	13.14	3	1445098-3
2	-	-	3.00	10.14	2	1445098-2
FINISH	DIM Z	DIM V	DIM T	DIM W	NO. OF POSN	PART NUMBER

METRIC

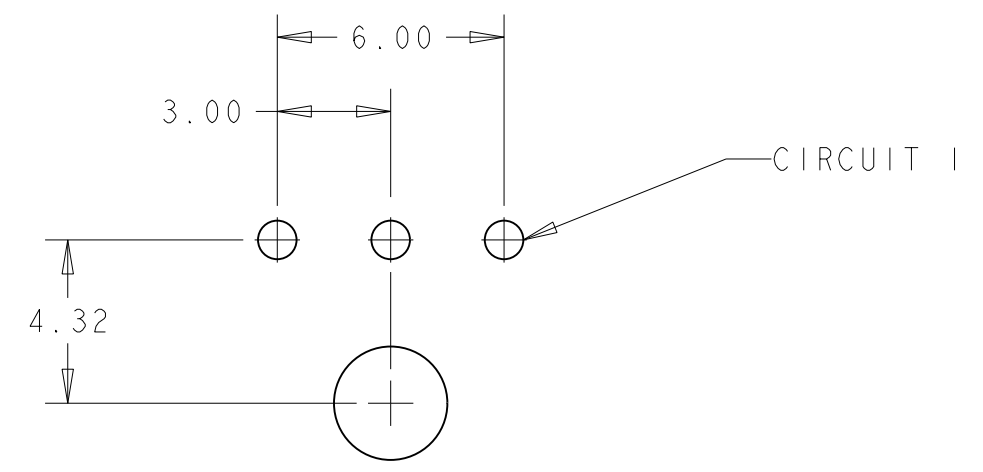
<small>THIS DRAWING IS A CONTROLLED DOCUMENT FOR AMP INCORPORATED. IT IS SUBJECT TO CHANGE AND THE CONTROLLING ENGINEERING ORGANIZATION SHOULD BE CONTACTED FOR THE LATEST REVISION.</small>		DWN J. ROOT 09OCT2000 CHR K. WHITAKER 17-APR-2001 APVD C. JONES 17-APR-2001	<b>AMP</b> Tyco Electronics Harrisburg, PA 17105-3608
DIMENSIONS: mm	TOLERANCES UNLESS OTHERWISE SPECIFIED: 0 PLC ± 1 PLC ± 2 PLC ±0.13 3 PLC ± 4 PLC ± ANGLES ± FINISH SEE TABLE	NAME RIGHT ANGLE THRU HOLE HEADER ASSY, 0.76 MIC GOLD CONTACTS, W/PLASTIC HOLDDOWNS, SGL ROW, MICRO MATE-N-LOK™	SIZE A2 CAGE CODE 00779 DRAWING NO. C=1445098
MATERIAL	1	WEIGHT	SCALE 5:1 SHEET 1 OF 2 REV A
CUSTOMER DRAWING			

THIS DRAWING IS UNPUBLISHED. RELEASED FOR PUBLICATION .19  
 BY AMP INCORPORATED. ALL RIGHTS RESERVED.

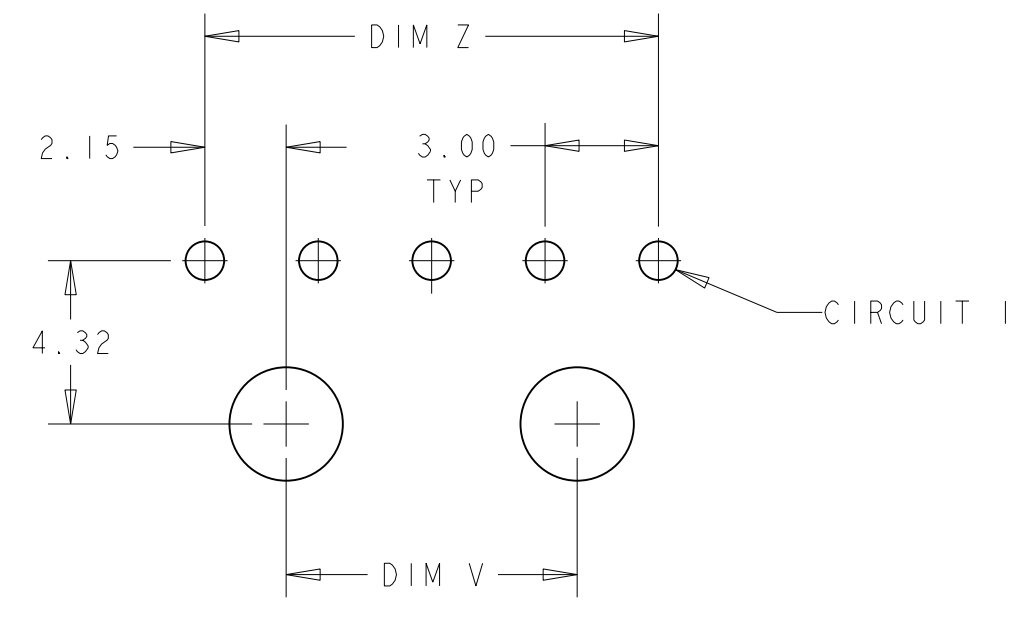
LOC	DIST	REVISIONS			
P	LTR	DESCRIPTION	DATE	DWN	APVD
CM	00	-	SEE SHEET 1	-	-



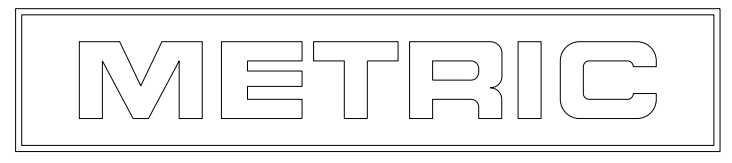
PCB LAYOUT FOR 2 POSITION  $\triangle 4$   
 COMPONENT SIDE



PCB LAYOUT FOR 3 POSITION  $\triangle 4$   
 COMPONENT SIDE



PCB LAYOUT FOR 4-12 POSITION  $\triangle 4$   
 COMPONENT SIDE



<small>THIS DRAWING IS A CONTROLLED DOCUMENT FOR AMP INCORPORATED. IT IS SUBJECT TO CHANGE AND THE CONTROLLING ENGINEERING ORGANIZATION SHOULD BE CONTACTED FOR THE LATEST REVISION.</small>		DWN J. ROOT 09OCT2000 CHR K. WHITAKER 17-APR-2001 APVD C. JONES 17-APR-2001	<b>AMP</b> Tyco Electronics Harrisburg, PA 17105-3608
DIMENSIONS: mm	TOLERANCES UNLESS OTHERWISE SPECIFIED: 0 PLC ± 1 PLC ± 2 PLC ±0.13 3 PLC ± 4 PLC ± ANGLES ± FINISH SEE TABLE	PRODUCT SPEC - APPLICATION SPEC - WEIGHT -	NAME RIGHT ANGLE THRU HOLE HEADER ASSY, 0.76 MIC GOLD CONTACTS, W/PLASTIC HOLDDOWNS, SGL ROW, MICRO MATE-N-LOK SIZE A2 CAGE CODE 00779 DRAWING NO. C=1445098
MATERIAL - $\triangle 4$		CUSTOMER DRAWING SCALE 5:1 SHEET 2 OF 2 REV A	