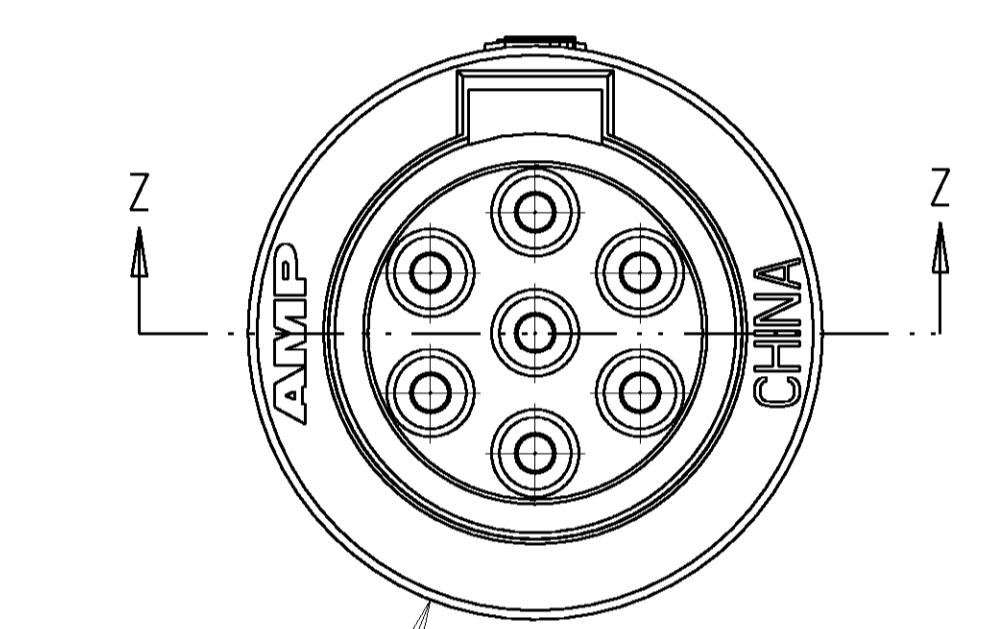
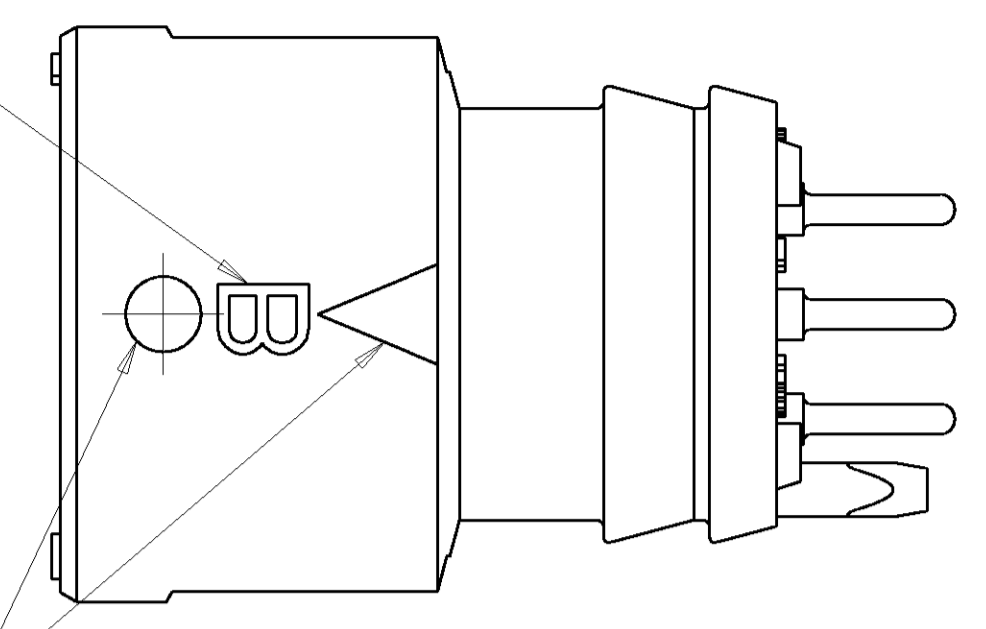


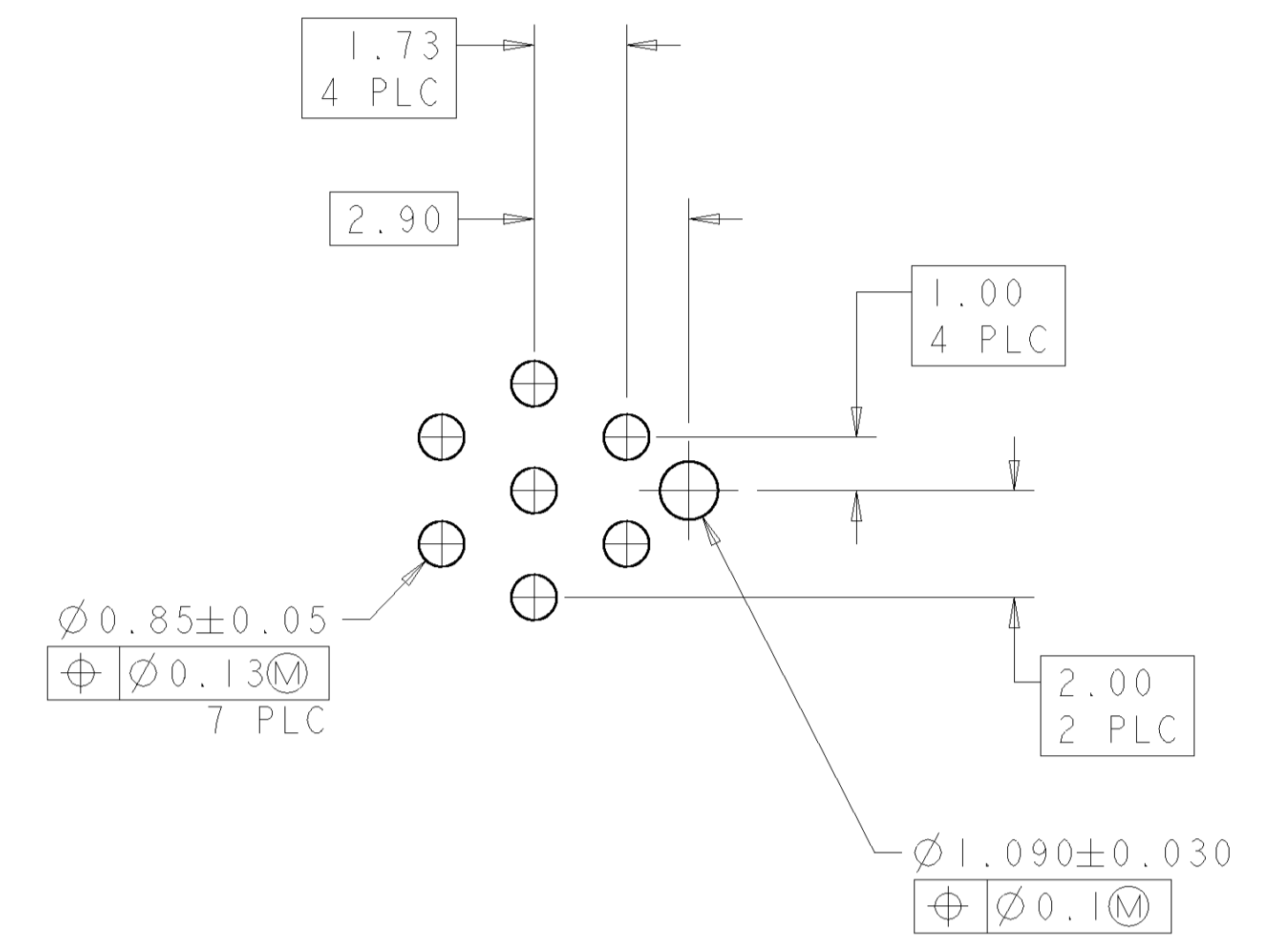
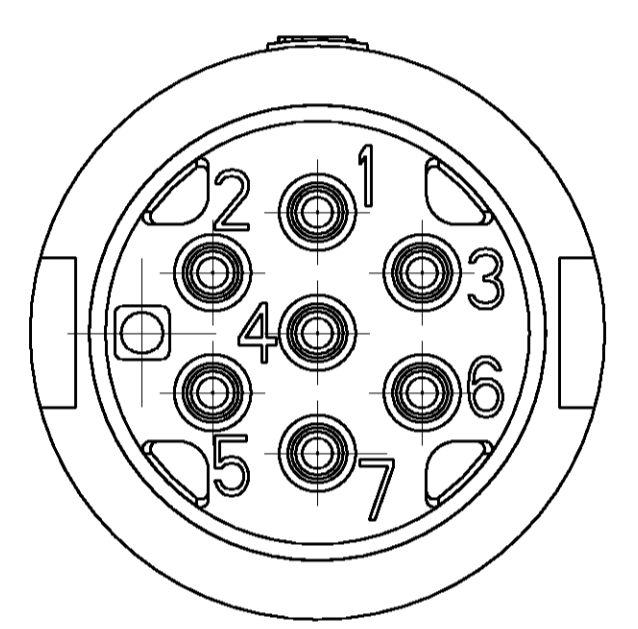
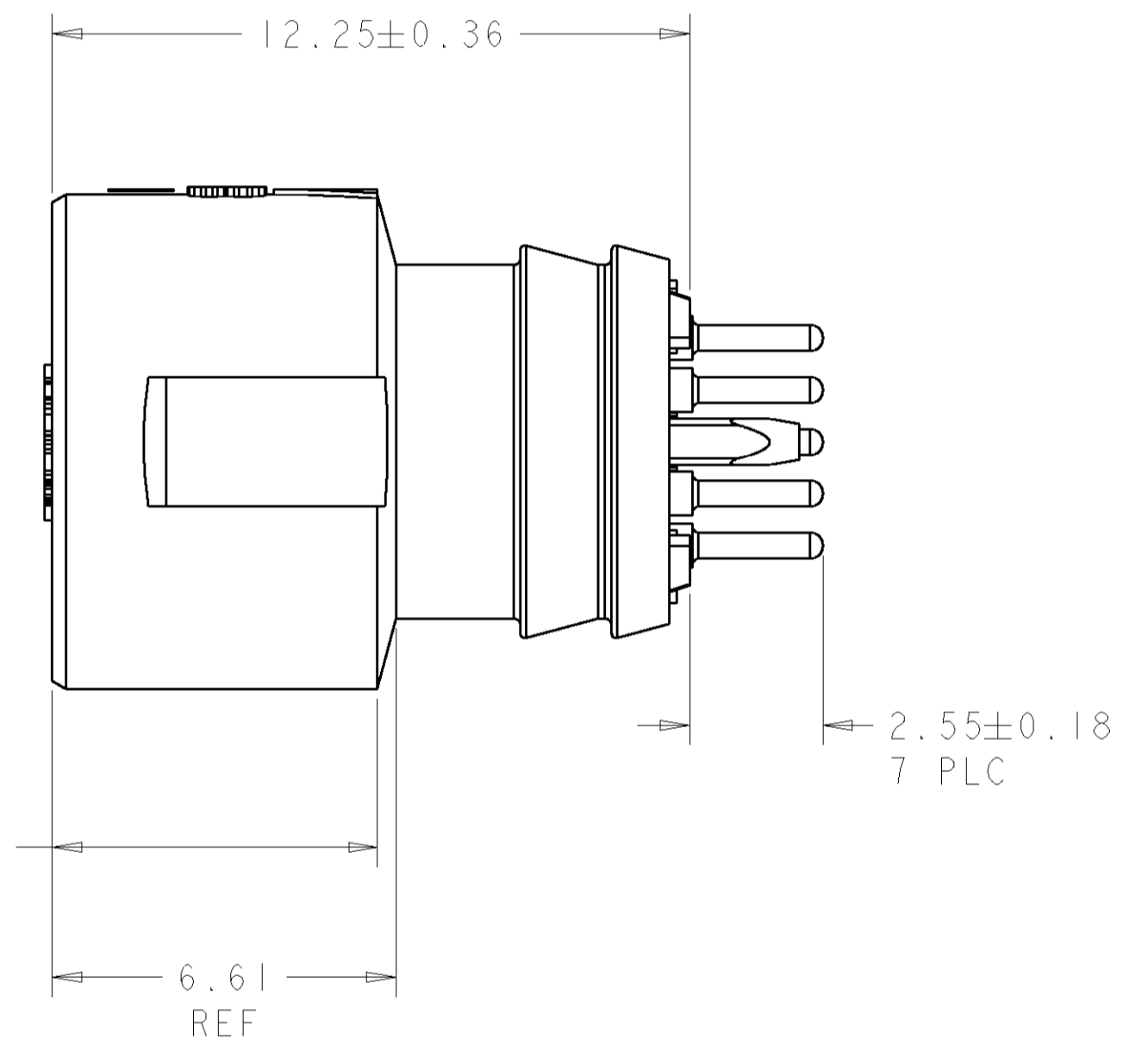
LOC	DIST	REVISIONS					
FT	0	P	LTR	DESCRIPTION	DATE	DWN	APVD
		B		REVISED EC 063B-0746-04	04OCT2004	SW	HW
		C		REVISED PER ECO-06-2703	24FEB2006	SS	DC

LATCH IDENTIFIER
 B-BREAKAWAY LATCH, BREAKAWAY VERSION ONLY.
 MAY BE ORIENTED IN ANY DIRECTION

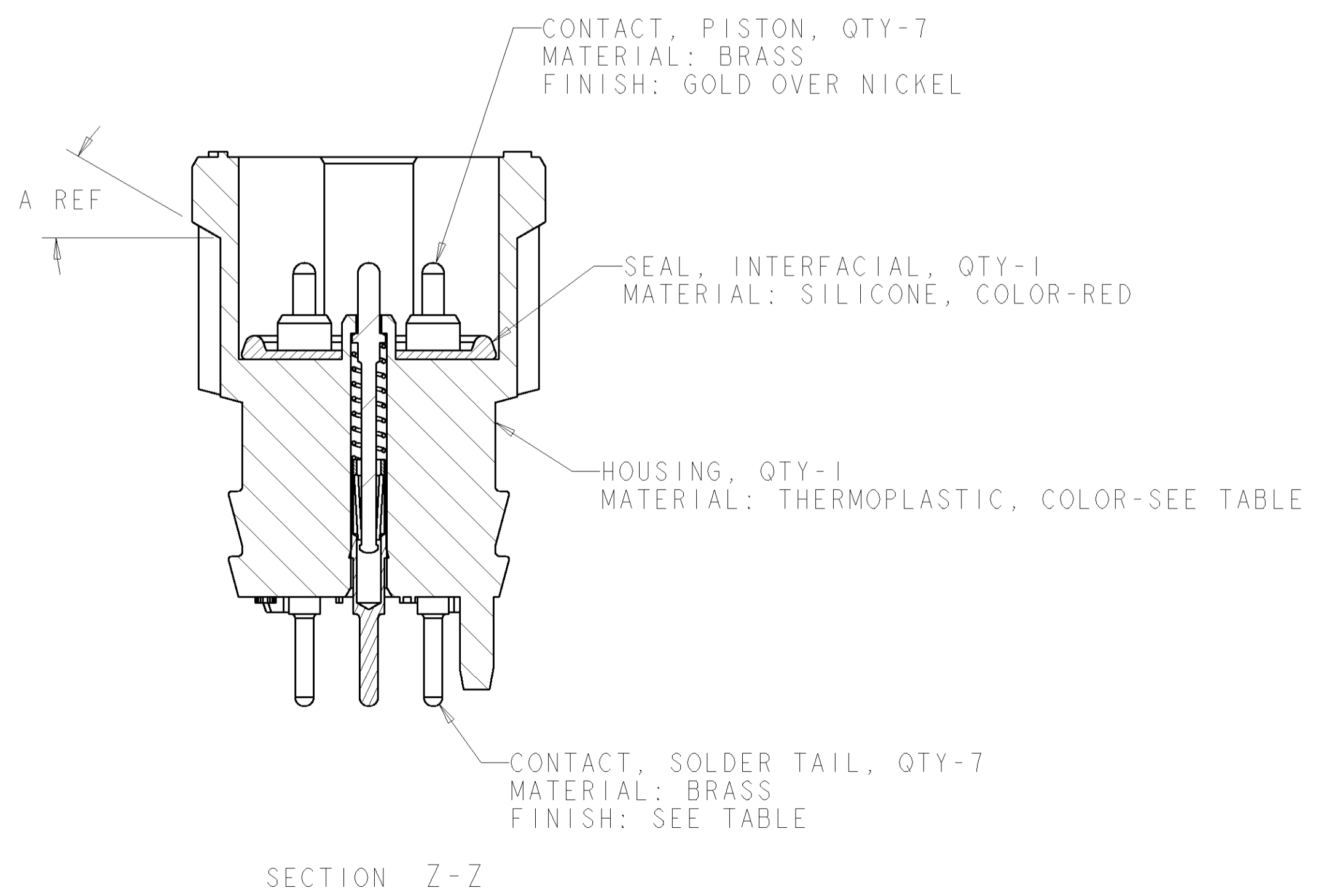
ALIGNMENT INDICATORS



$\varnothing 9.50 \pm 0.10$



SUGGESTED PRINTED CIRCUIT BOARD LAYOUT



QTY	CIRCUITS LOADED	FINISH	A	COLOR	LATCH	PART NUMBER
2	1,7.	TIN OVER NICKEL	30°	WHITE	BREAKAWAY	3-1445323-1
2	1,7.	TIN OVER NICKEL	0°	BLACK	POSITIVE	3-1445323-0
3	2,3,7.	TIN OVER NICKEL	30°	WHITE	BREAKAWAY	2-1445323-9
3	2,3,7.	TIN OVER NICKEL	0°	BLACK	POSITIVE	2-1445323-8
4	2,3,5,6.	TIN OVER NICKEL	30°	WHITE	BREAKAWAY	2-1445323-7
4	2,3,5,6.	TIN OVER NICKEL	0°	BLACK	POSITIVE	2-1445323-6
5	2,3,4,5,6.	TIN OVER NICKEL	30°	WHITE	BREAKAWAY	2-1445323-5
5	2,3,4,5,6.	TIN OVER NICKEL	0°	BLACK	POSITIVE	2-1445323-4
6	1,2,3,5,6,7.	TIN OVER NICKEL	30°	WHITE	BREAKAWAY	2-1445323-3
6	1,2,3,5,6,7.	TIN OVER NICKEL	0°	BLACK	POSITIVE	2-1445323-2
7	ALL	TIN OVER NICKEL	30°	WHITE	BREAKAWAY	2-1445323-1
7	ALL	TIN OVER NICKEL	0°	BLACK	POSITIVE	2-1445323-0
2	1,7.	TIN-LEAD OVER NICKEL	30°	WHITE	BREAKAWAY	1-1445323-2
2	1,7.	TIN-LEAD OVER NICKEL	0°	BLACK	POSITIVE	1-1445323-1
3	2,3,7.	TIN-LEAD OVER NICKEL	30°	WHITE	BREAKAWAY	1-1445323-0
3	2,3,7.	TIN-LEAD OVER NICKEL	0°	BLACK	POSITIVE	1445323-09
4	2,3,5,6.	TIN-LEAD OVER NICKEL	30°	WHITE	BREAKAWAY	1445323-08
4	2,3,5,6.	TIN-LEAD OVER NICKEL	0°	BLACK	POSITIVE	1445323-07
5	2,3,4,5,6.	TIN-LEAD OVER NICKEL	30°	WHITE	BREAKAWAY	1445323-06
5	2,3,4,5,6.	TIN-LEAD OVER NICKEL	0°	BLACK	POSITIVE	1445323-05
6	1,2,3,5,6,7.	TIN-LEAD OVER NICKEL	30°	WHITE	BREAKAWAY	1445323-04
6	1,2,3,5,6,7.	TIN-LEAD OVER NICKEL	0°	BLACK	POSITIVE	1445323-03
7	ALL	TIN-LEAD OVER NICKEL	30°	WHITE	BREAKAWAY	1445323-02
7	ALL	TIN-LEAD OVER NICKEL	0°	BLACK	POSITIVE	1445323-01

QTY	CIRCUITS LOADED	FINISH	A	COLOR	LATCH	PART NUMBER
CONTACTS			HOUSING		PART NUMBER	

DIMENSIONS:		TOLERANCES UNLESS OTHERWISE SPECIFIED:		DWN: G. DOUTY 15FEB2001		APVD: H. WAKEEM 27JUL2004		NAME: RECEPTACLE ASSEMBLY, 7 POSITION, SPRING PROBE, SOLDER TAIL, MICRO CPC	
mm		0 PLC ±		EGR: H. WAKEEM 27JUL2004		APVD: H. WAKEEM 27JUL2004		SIZE: CAGE CODE: DRAWING NO: RESTRICTED TO	
Ø		1 PLC ±0.13		PRODUCT SPEC		APPLICATION SPEC		SCALE: 8:1 SHEET 1 OF 1 REV C	
MATERIAL SEE CALLOUT		FINISH SEE CALLOUT		WEIGHT		CUSTOMER DRAWING		A100779C=1445323	