

THIS DRAWING IS UNPUBLISHED. RELEASED FOR PUBLICATION 20
 © COPYRIGHT 20 BY TYCO ELECTRONICS CORPORATION. ALL RIGHTS RESERVED.

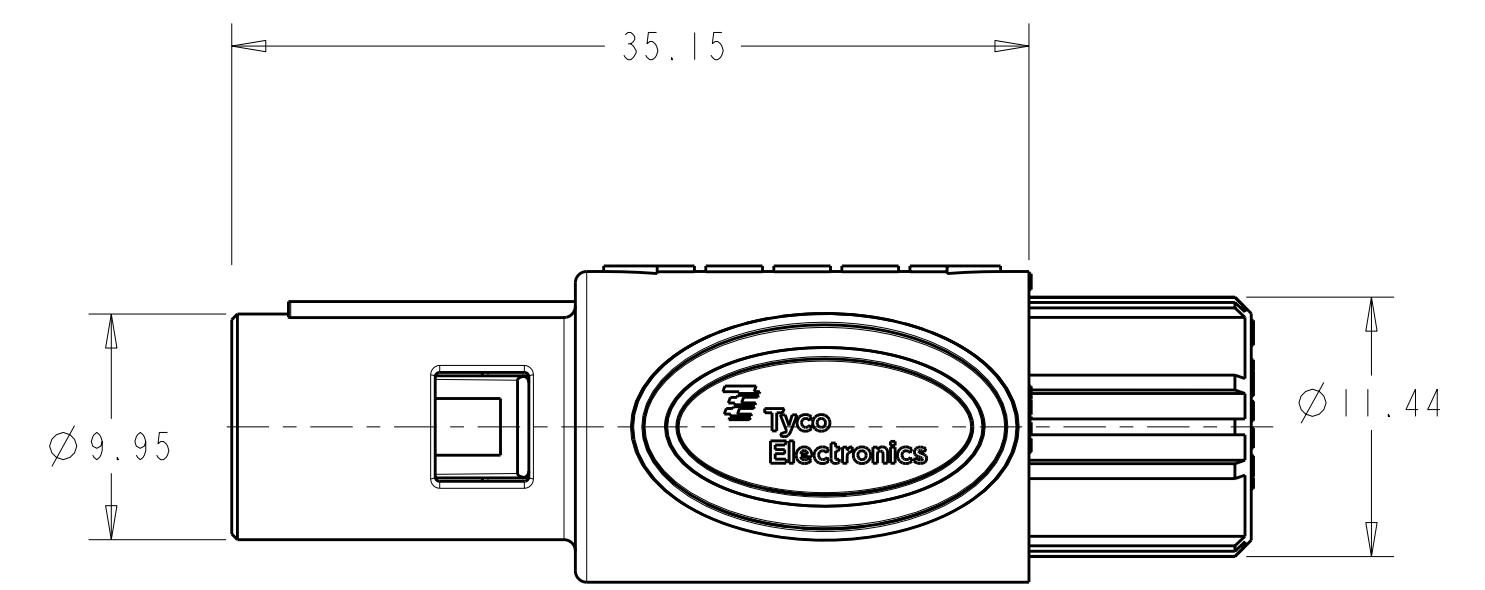
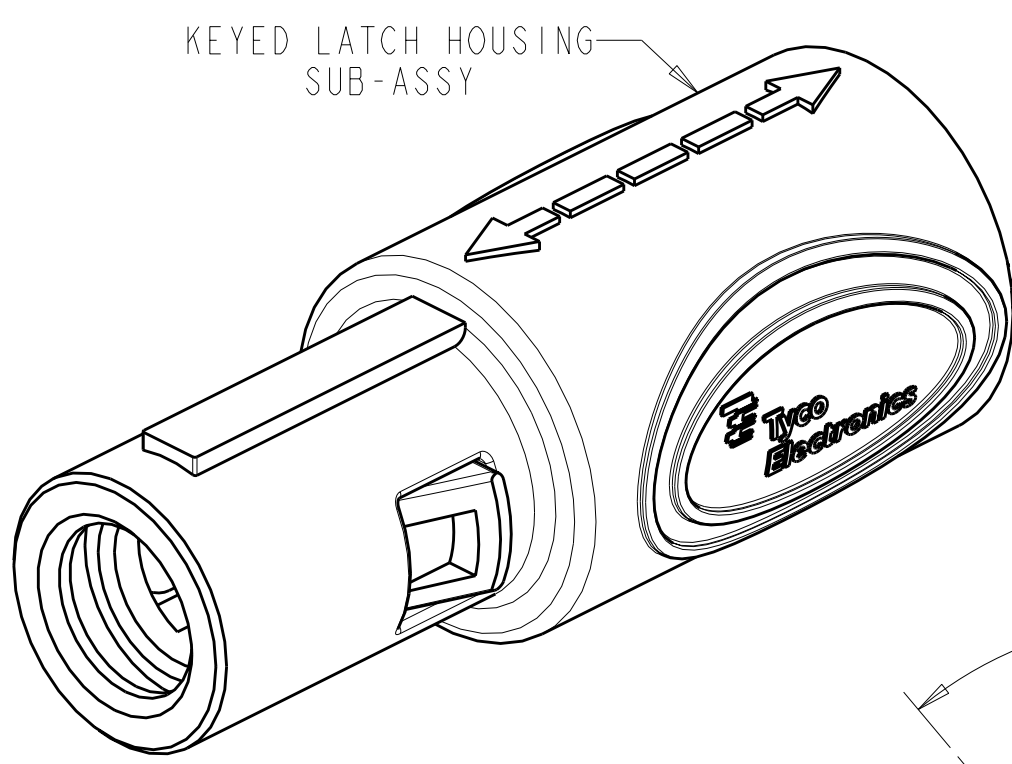
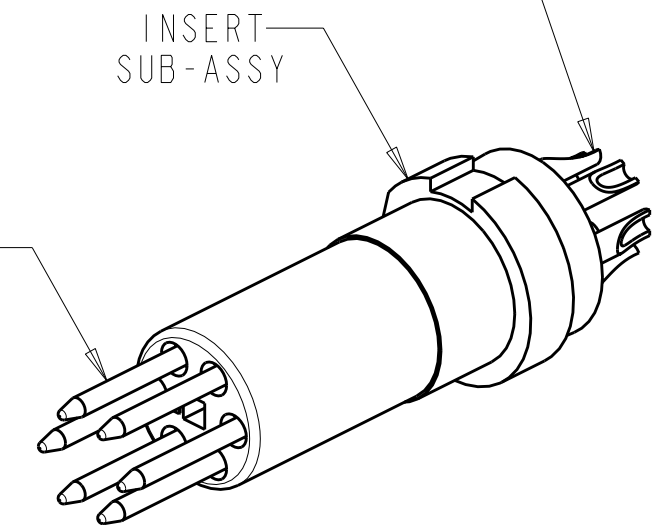
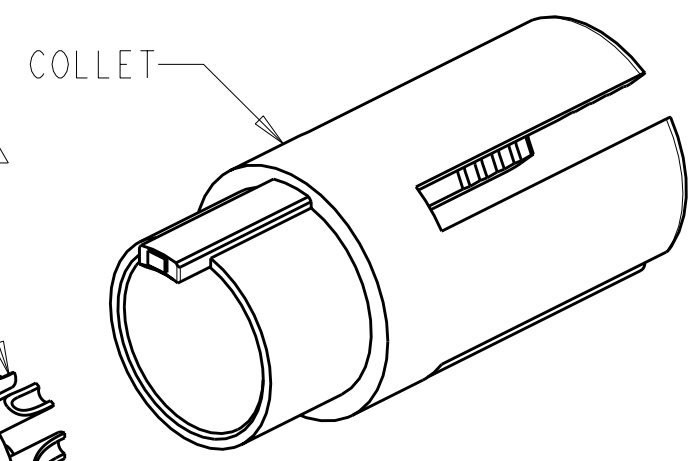
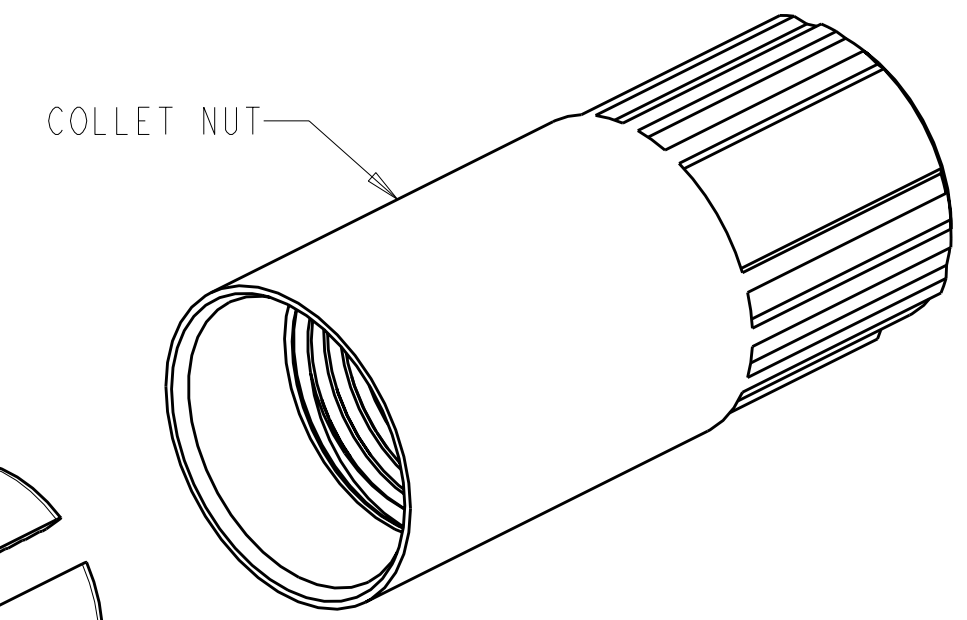
LOC		DIST		REVISIONS			
P	LTR	DESCRIPTION	DATE	DWN	APVD		
	A	ECO-07-010931	14MAY2007	RB	DR		
	B	ECO-07-018972	15AUG2007	RB	DR		
	B1	REVISED PER ECO-08-004497	25FEB2008	SS	DR		
	B2	REVISED PER ECO-09-008097	06APR2009	MF	DR		

1 MATERIAL:
 CONTACT: BRASS
 LATCH HOUSING, INSERT, COLLET, COLLET NUT:
 UL 94V-0 RATED THERMOPLASTIC
 COLOR:
 COLLET AND INSERT: GRAY
 LATCH HOUSING AND NUT: SEE TABLE

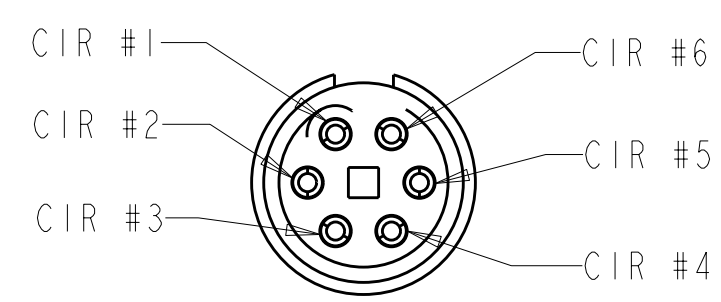
2 FINISH:
 CONTACT, 0.75µm MIN. GOLD OVER NICKEL

3 SOLDER TERMINATION CONTACT, 26 AWG WIRE MAX.

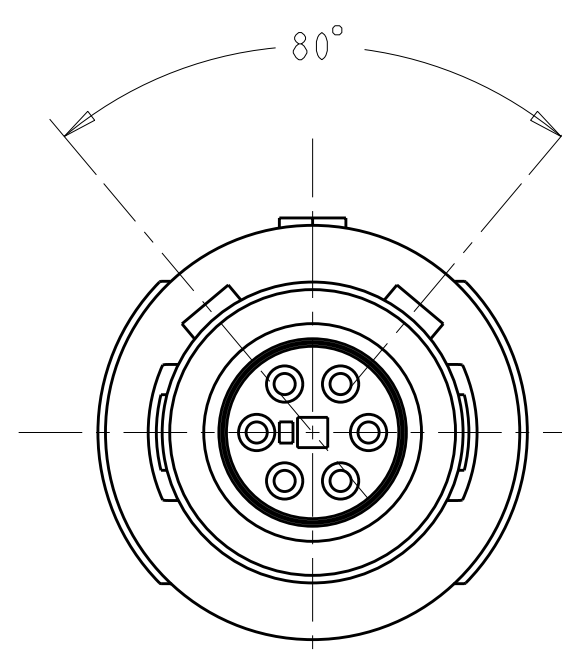
4. PRODUCT IS SUPPLIED UNASSEMBLED



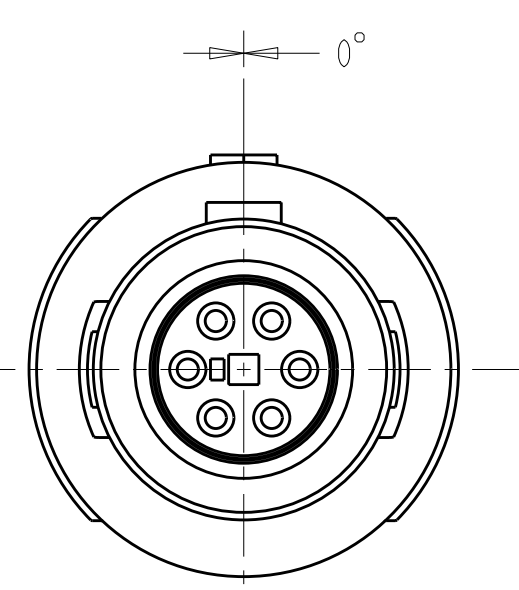
SCALE 3:1



INSERT SUB-ASSY
 CIRCUIT DESIGNATION VIEW



80° KEYING
 SCALE 4:1



0° KEYING
 SCALE 4:1

SEE SHEET 2 FOR
 PART NUMBER SELECTION

PART NO.

<small>THIS DRAWING IS A CONTROLLED DOCUMENT FOR TYCO ELECTRONICS CORPORATION IT IS SUBJECT TO CHANGE AND THE CONTROLLING ENGINEERING ORGANIZATION SHOULD BE CONTACTED FOR THE LATEST REVISION.</small>		DWN K. MILLER 09MAR2006 CHK L. BREKOSKY 09MAR2006 APVD -	Tyco Electronics Harrisburg, PA 17105-3608
DIMENSIONS: mm 	TOLERANCES UNLESS OTHERWISE SPECIFIED: 0 PLC ± 1 PLC ±0.13 2 PLC ±0.08 3 PLC ± 4 PLC ± ANGLES ±1° FINISH	PRODUCT SPEC 108-2249 APPLICATION SPEC 114-13184 WEIGHT -	NAME 6 POSITION CABLE COLLET 0 DEGREE AND 80 DEGREE KEYING STRAIGHT PLUG ASSEMBLY SIZE A2 CAGE CODE 00779 DRAWING NO. C-1877846 RESTRICTED TO -
MATERIAL 1 -		CUSTOMER DRAWING SCALE 4:1 SHEET 1 OF 3 REV B2	

THIS DRAWING IS UNPUBLISHED. RELEASED FOR PUBLICATION 20
 © COPYRIGHT 20 BY TYCO ELECTRONICS CORPORATION. ALL RIGHTS RESERVED.

LOC	DIST	REVISIONS					
AD	00	P	LTR	DESCRIPTION	DATE	DWN	APVD
		-		SEE SHEET 1			

∅2.7-∅3.9	BLUE	GRAY	80°	7-1877846-2
∅4.0-∅5.2	BLUE	GRAY	80°	7-1877846-1
∅5.3-∅6.5	BLUE	GRAY	80°	7-1877846-0
∅2.7-∅3.9	BLUE	GRAY	0°	6-1877846-9
∅4.0-∅5.2	BLUE	GRAY	0°	6-1877846-8
∅5.3-∅6.5	BLUE	GRAY	0°	6-1877846-7
∅2.7-∅3.9	BLUE	BLACK	80°	6-1877846-6
∅4.0-∅5.2	BLUE	BLACK	80°	6-1877846-5
∅5.3-∅6.5	BLUE	BLACK	80°	6-1877846-4
∅2.7-∅3.9	BLUE	BLACK	0°	6-1877846-3
∅4.0-∅5.2	BLUE	BLACK	0°	6-1877846-2
∅5.3-∅6.5	BLUE	BLACK	0°	6-1877846-1
∅2.7-∅3.9	GREEN	GRAY	80°	6-1877846-0
∅4.0-∅5.2	GREEN	GRAY	80°	5-1877846-9
∅5.3-∅6.5	GREEN	GRAY	80°	5-1877846-8
∅2.7-∅3.9	GREEN	GRAY	0°	5-1877846-7
∅4.0-∅5.2	GREEN	GRAY	0°	5-1877846-6
∅5.3-∅6.5	GREEN	GRAY	0°	5-1877846-5
∅2.7-∅3.9	GREEN	BLACK	80°	5-1877846-4
∅4.0-∅5.2	GREEN	BLACK	80°	5-1877846-3
∅5.3-∅6.5	GREEN	BLACK	80°	5-1877846-2
∅2.7-∅3.9	GREEN	BLACK	0°	5-1877846-1
∅4.0-∅5.2	GREEN	BLACK	0°	5-1877846-0
∅5.3-∅6.5	GREEN	BLACK	0°	4-1877846-9
∅2.7-∅3.9	YELLOW	GRAY	80°	4-1877846-8
∅4.0-∅5.2	YELLOW	GRAY	80°	4-1877846-7
∅5.3-∅6.5	YELLOW	GRAY	80°	4-1877846-6
∅2.7-∅3.9	YELLOW	GRAY	0°	4-1877846-5
∅4.0-∅5.2	YELLOW	GRAY	0°	4-1877846-4
∅5.3-∅6.5	YELLOW	GRAY	0°	4-1877846-3
∅2.7-∅3.9	YELLOW	BLACK	80°	4-1877846-2
∅4.0-∅5.2	YELLOW	BLACK	80°	4-1877846-1
∅5.3-∅6.5	YELLOW	BLACK	80°	4-1877846-0
∅2.7-∅3.9	YELLOW	BLACK	0°	3-1877846-9
∅4.0-∅5.2	YELLOW	BLACK	0°	3-1877846-8
∅5.3-∅6.5	YELLOW	BLACK	0°	3-1877846-7
CABLE RANGE	COLLET NUT COLOR	LATCH HOUSING COLOR	KEYING	PART NO.
PART NUMBERS 37 THRU 72				

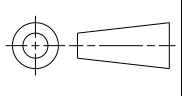
∅2.7-∅3.9	WHITE	GRAY	80°	3-1877846-6
∅4.0-∅5.2	WHITE	GRAY	80°	3-1877846-5
∅5.3-∅6.5	WHITE	GRAY	80°	3-1877846-4
∅2.7-∅3.9	WHITE	GRAY	0°	3-1877846-3
∅4.0-∅5.2	WHITE	GRAY	0°	3-1877846-2
∅5.3-∅6.5	WHITE	GRAY	0°	3-1877846-1
∅2.7-∅3.9	WHITE	BLACK	80°	3-1877846-0
∅4.0-∅5.2	WHITE	BLACK	80°	2-1877846-9
∅5.3-∅6.5	WHITE	BLACK	80°	2-1877846-8
∅2.7-∅3.9	WHITE	BLACK	0°	2-1877846-7
∅4.0-∅5.2	WHITE	BLACK	0°	2-1877846-6
∅5.3-∅6.5	WHITE	BLACK	0°	2-1877846-5
∅2.7-∅3.9	RED	GRAY	80°	2-1877846-4
∅4.0-∅5.2	RED	GRAY	80°	2-1877846-3
∅5.3-∅6.5	RED	GRAY	80°	2-1877846-2
∅2.7-∅3.9	RED	GRAY	0°	2-1877846-1
∅4.0-∅5.2	RED	GRAY	0°	2-1877846-0
∅5.3-∅6.5	RED	GRAY	0°	1-1877846-9
∅2.7-∅3.9	RED	BLACK	80°	1-1877846-8
∅4.0-∅5.2	RED	BLACK	80°	1-1877846-7
∅5.3-∅6.5	RED	BLACK	80°	1-1877846-6
∅2.7-∅3.9	RED	BLACK	0°	1-1877846-5
∅4.0-∅5.2	RED	BLACK	0°	1-1877846-4
∅5.3-∅6.5	RED	BLACK	0°	1-1877846-3
∅2.7-∅3.9	GRAY	GRAY	80°	1-1877846-2
∅4.0-∅5.2	GRAY	GRAY	80°	1-1877846-1
∅5.3-∅6.5	GRAY	GRAY	80°	1-1877846-0
∅2.7-∅3.9	GRAY	GRAY	0°	1877846-9
∅4.0-∅5.2	GRAY	GRAY	0°	1877846-8
∅5.3-∅6.5	GRAY	GRAY	0°	1877846-7
∅2.7-∅3.9	BLACK	BLACK	80°	1877846-6
∅4.0-∅5.2	BLACK	BLACK	80°	1877846-5
∅5.3-∅6.5	BLACK	BLACK	80°	1877846-4
∅2.7-∅3.9	BLACK	BLACK	0°	1877846-3
∅4.0-∅5.2	BLACK	BLACK	0°	1877846-2
∅5.3-∅6.5	BLACK	BLACK	0°	1877846-1
CABLE RANGE	COLLET NUT COLOR	LATCH HOUSING COLOR	KEYING	PART NO.
PART NUMBERS 1 THRU 36				

<small>THIS DRAWING IS A CONTROLLED DOCUMENT FOR TYCO ELECTRONICS CORPORATION. IT IS SUBJECT TO CHANGE AND THE CONTROLLING ENGINEERING ORGANIZATION SHOULD BE CONTACTED FOR THE LATEST REVISION.</small>		DWN K. MILLER 09MAR2006 CHK L. BREKOSKY 09MAR2006 APVD -	Tyco Electronics Harrisburg, PA 17105-3608
DIMENSIONS: mm	TOLERANCES UNLESS OTHERWISE SPECIFIED: 0 PLC ± 1 PLC ±0.13 2 PLC ±0.08 3 PLC ± 4 PLC ± ANGLES ±1° FINISH	PRODUCT SPEC 108-2249 APPLICATION SPEC 114-13184 WEIGHT -	NAME 6 POSITION CABLE COLLET 0 DEGREE AND 80 DEGREE KEYING STRAIGHT PLUG ASSEMBLY SIZE A2 CAGE CODE 00779 DRAWING NO. C-1877846 RESTRICTED TO -
MATERIAL -		CUSTOMER DRAWING	SCALE 4:1 SHEET 2 OF 3 REV B2

THIS DRAWING IS UNPUBLISHED. RELEASED FOR PUBLICATION 20
 © COPYRIGHT 20 BY TYCO ELECTRONICS CORPORATION. ALL RIGHTS RESERVED.

LOC	DIST	REVISIONS			
P	LTR	DESCRIPTION	DATE	DWN	APVD
		SEE SHEET 1			

Ø 2.7-Ø 3.9	BLACK	GRAY	80°	8-1877846-4
Ø 4.0-Ø 5.2	BLACK	GRAY	80°	8-1877846-3
Ø 5.3-Ø 6.5	BLACK	GRAY	80°	8-1877846-2
Ø 2.7-Ø 3.9	BLACK	GRAY	0°	8-1877846-1
Ø 4.0-Ø 5.2	BLACK	GRAY	0°	8-1877846-0
Ø 5.3-Ø 6.5	BLACK	GRAY	0°	7-1877846-9
Ø 2.7-Ø 3.9	GRAY	BLACK	80°	7-1877846-8
Ø 4.0-Ø 5.2	GRAY	BLACK	80°	7-1877846-7
Ø 5.3-Ø 6.5	GRAY	BLACK	80°	7-1877846-6
Ø 2.7-Ø 3.9	GRAY	BLACK	0°	7-1877846-5
Ø 4.0-Ø 5.2	GRAY	BLACK	0°	7-1877846-4
Ø 5.3-Ø 6.5	GRAY	BLACK	0°	7-1877846-3
CABLE RANGE	BACK-NUT COLOR	LATCH HOUSING COLOR	KEYING	PART NO.
PART NUMBERS 73 THRU 84				

<small>THIS DRAWING IS A CONTROLLED DOCUMENT FOR TYCO ELECTRONICS CORPORATION IT IS SUBJECT TO CHANGE AND THE CONTROLLING ENGINEERING ORGANIZATION SHOULD BE CONTACTED FOR THE LATEST REVISION.</small>		DWN 09MAR2006 K. MILLER CHK 09MAR2006 L. BREKOSKY APVD -	Tyco Electronics Tyco Electronics Harrisburg, PA 17105-3608
DIMENSIONS: mm 	TOLERANCES UNLESS OTHERWISE SPECIFIED: 0 PLC ± 1 PLC ±0.13 2 PLC ±0.08 3 PLC ± 4 PLC ± ANGLES ±1° FINISH	PRODUCT SPEC 108-2249 APPLICATION SPEC 114-13184 WEIGHT -	NAME 6 POSITION CABLE COLLET 0 DEGREE AND 80 DEGREE KEYING STRAIGHT PLUG ASSEMBLY SIZE CAGE CODE DRAWING NO RESTRICTED TO A2 00779 C-1877846 -
MATERIAL -		CUSTOMER DRAWING	
		SCALE 4:1	SHEET 3 OF 3 REV B2