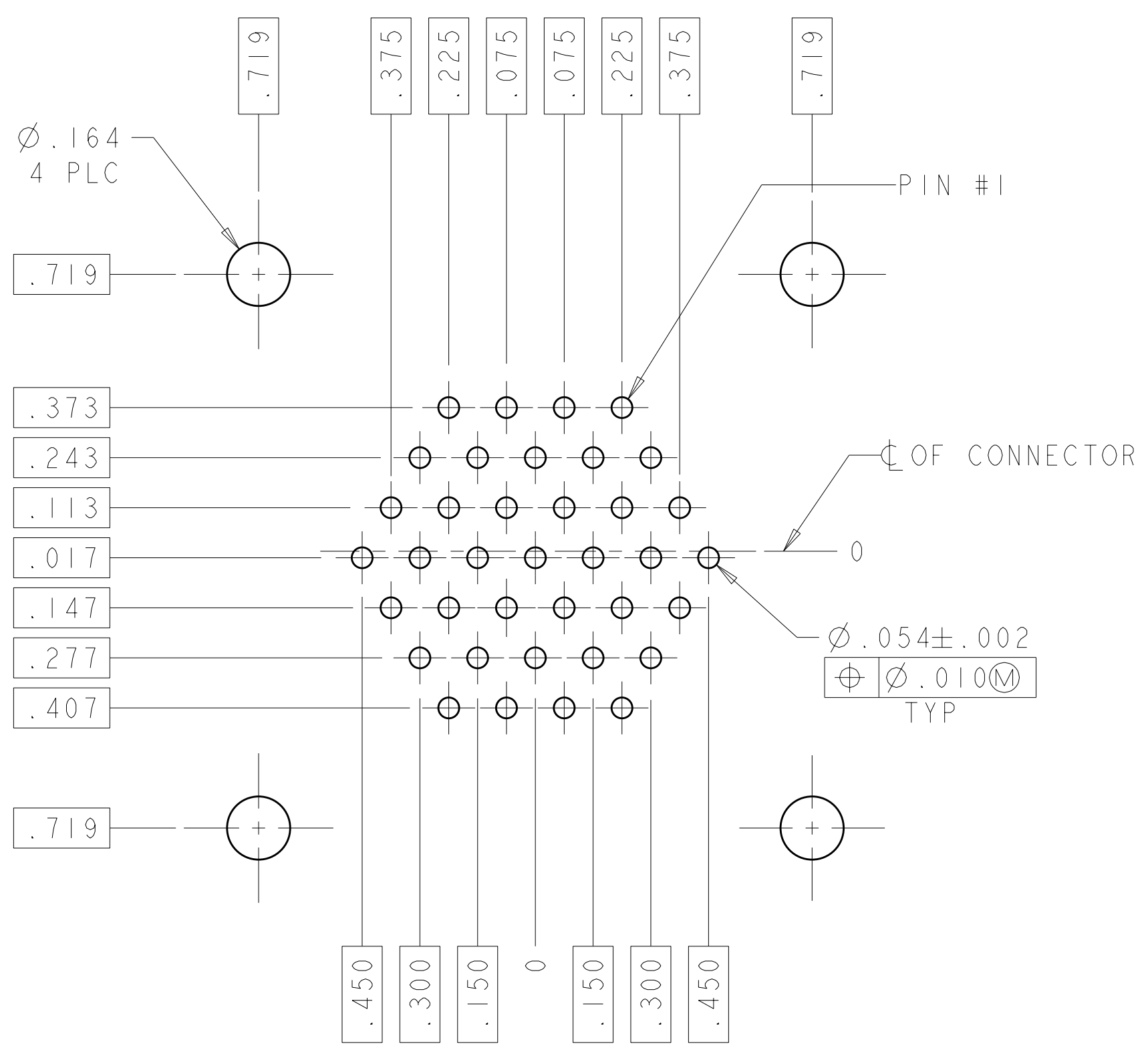
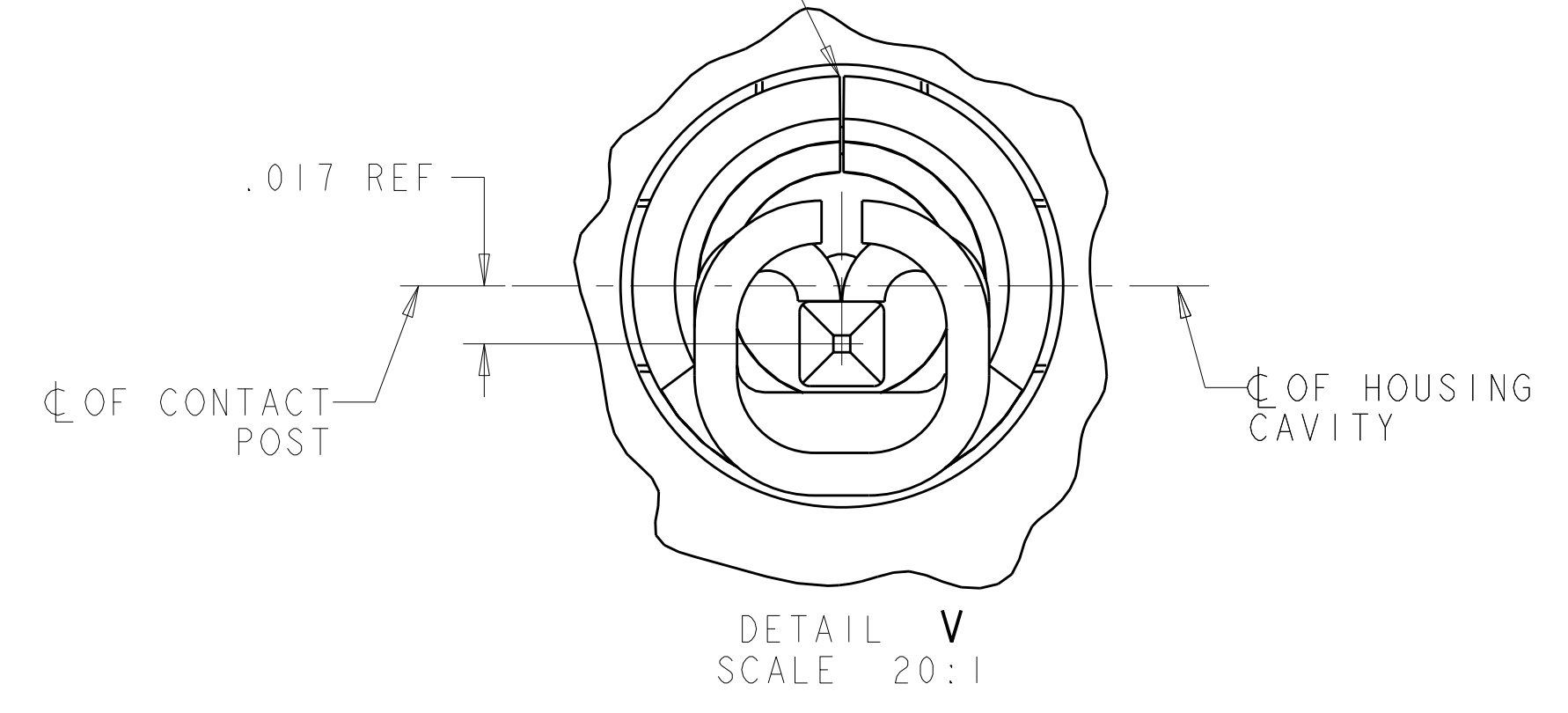
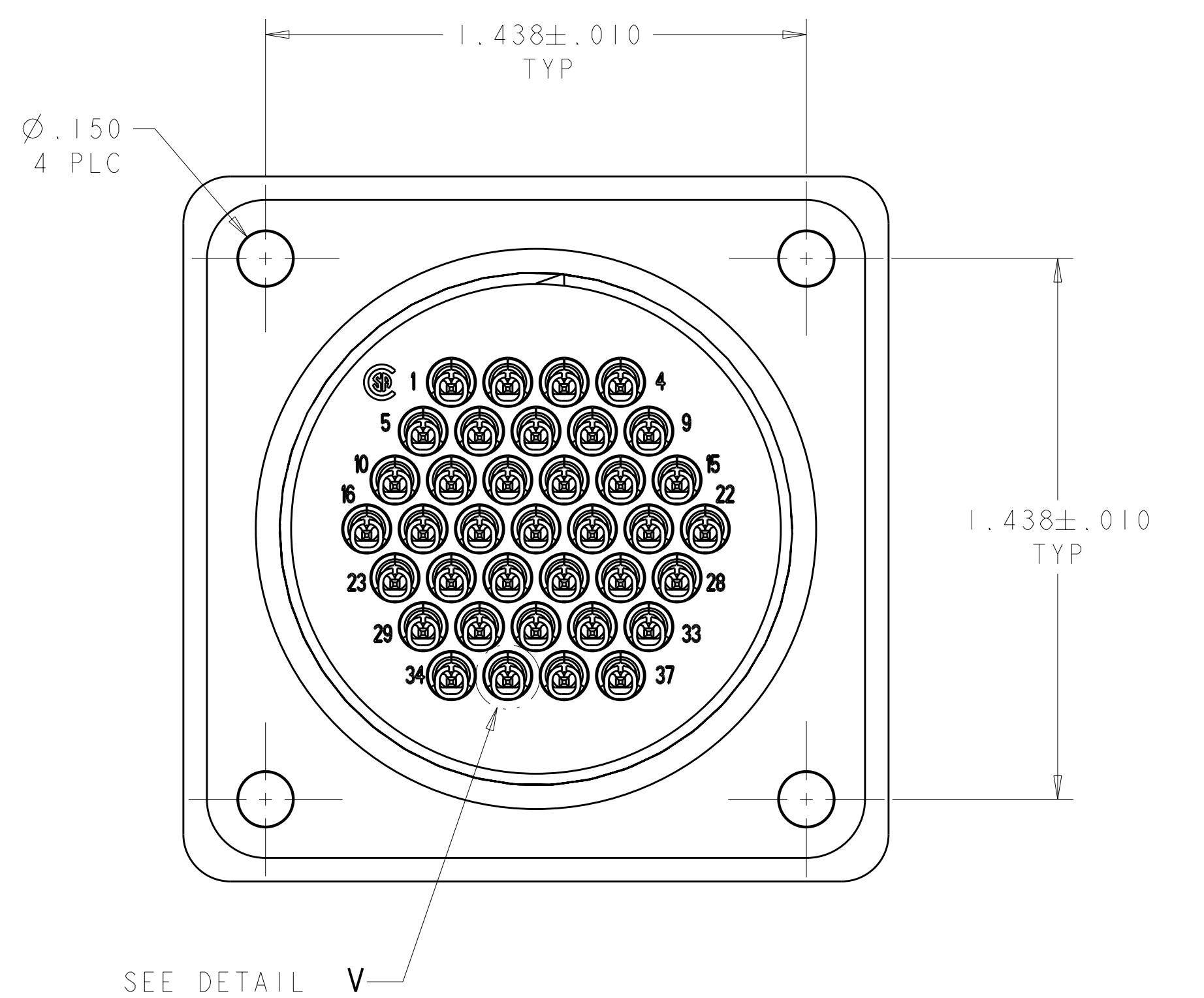
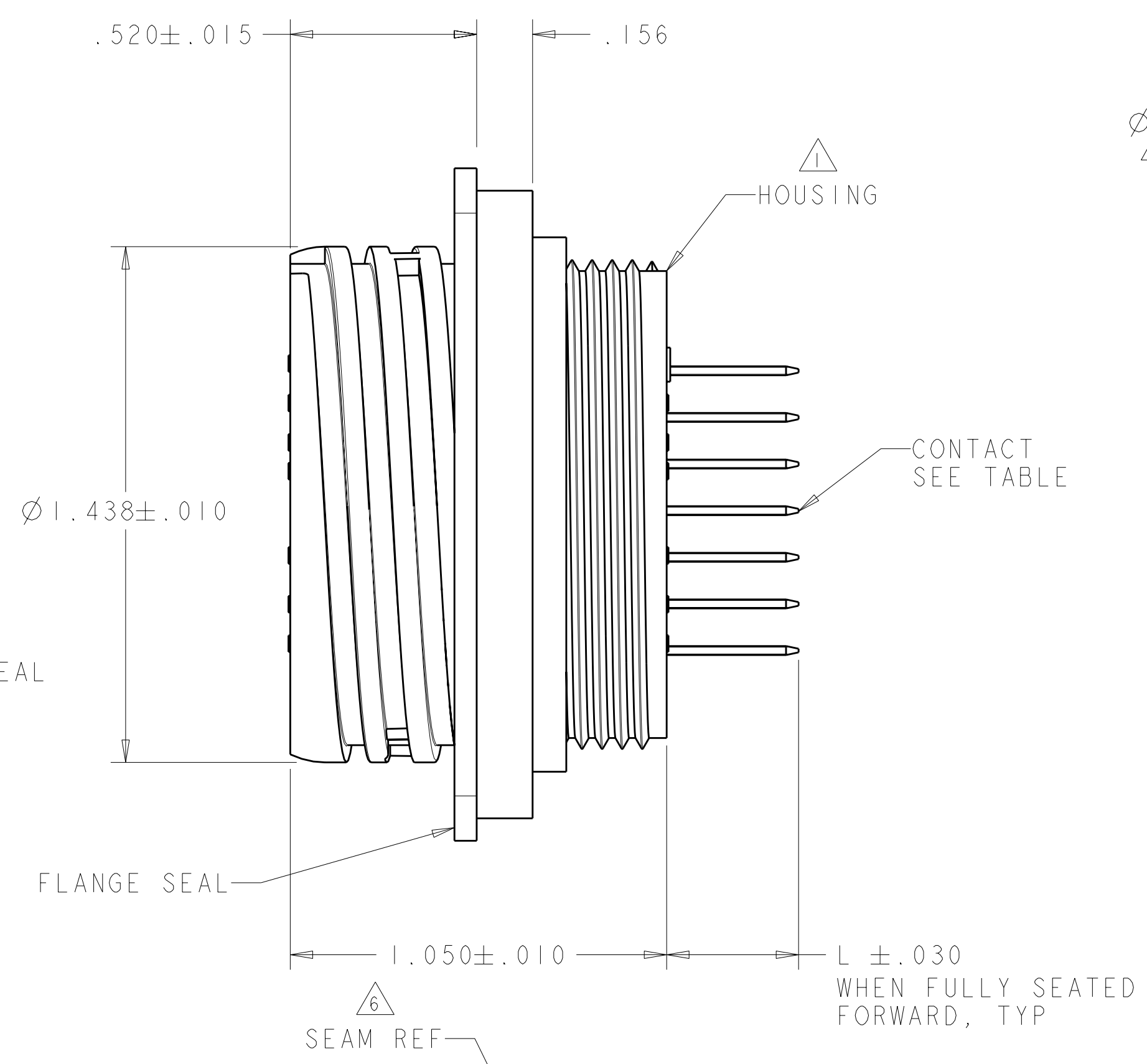
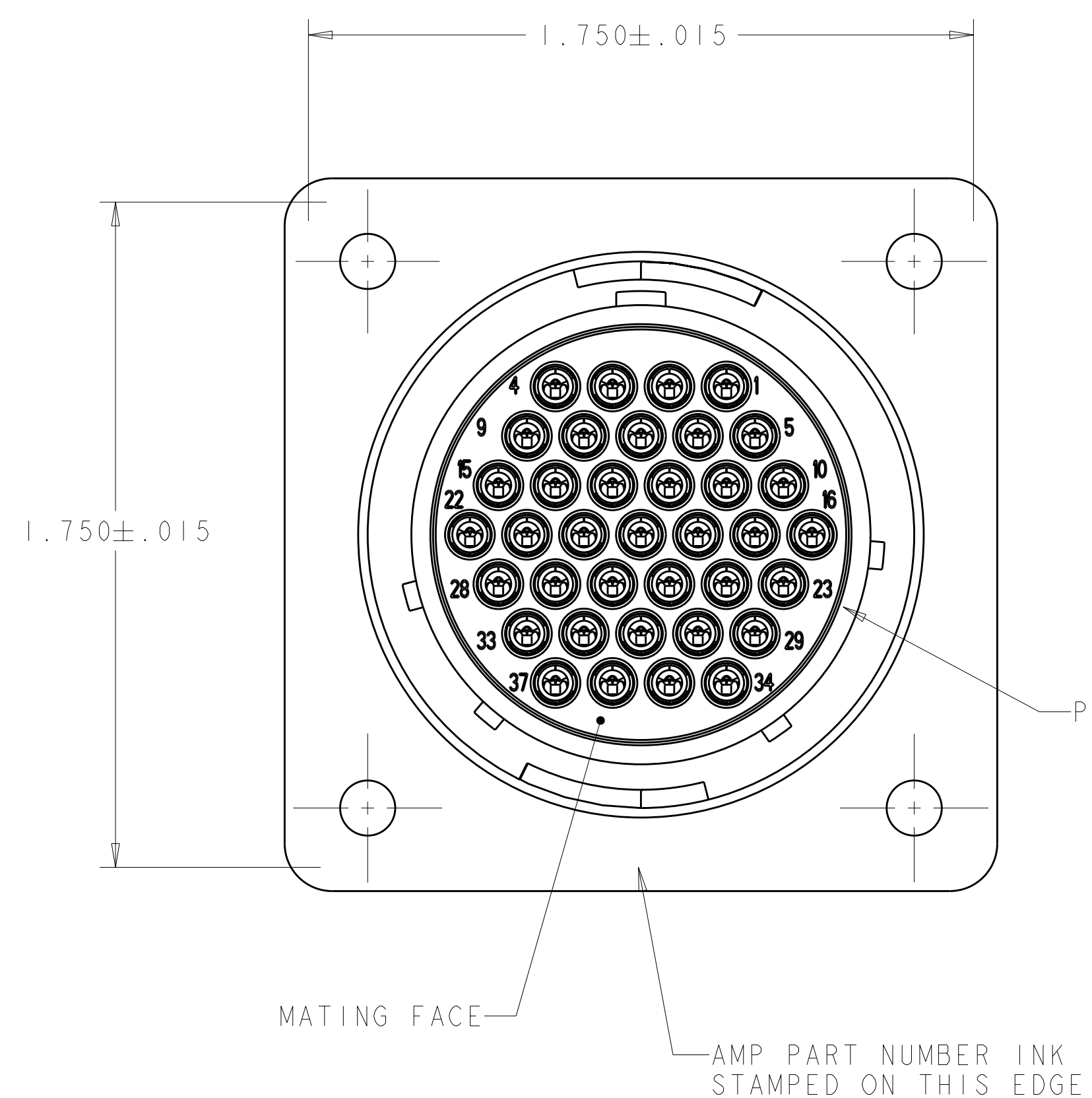


LOC	DIST	REV	DATE	BY	APPD
FT	0	AD	09JAN2008	SS	SH
		AE	28JUL2008	SS	SH



- △ HOUSING: THERMOPLASTIC, COLOR: BLACK.
- △ PERIPHERAL SEAL: ELASTOMER, COLOR: GRAY.
- △ CONTACT:  
 BODY - BRASS, .000030 MIN GOLD FOR A LENGTH OF .200 MIN FROM MATING END, GOLD FLASH ON REMAINDER, BOTH OVER .000050 MIN NICKEL.  
 POST - BRASS, .000100 MIN TIN-LEAD OVER .000100 MIN COPPER.
- △ CONTACT:  
 BODY - BRASS, .000100 MIN TIN-LEAD OVER .000050 MIN NICKEL.  
 POST - BRASS, .000100 MIN TIN-LEAD OVER .000100 MIN COPPER.
- △ CONTACT:  
 BODY - BRASS, .000100 MIN TIN OVER .000050 MIN NICKEL.  
 POST - BRASS, .000100 MIN TIN OVER .000050 MIN NICKEL.
- △ .009 MAXIMUM CONTACT LEAD-IN SEAM GAP PERMISSIBLE ON MATING FACE END.
- △ CONTACT:  
 BODY - BRASS, .000030 MIN GOLD FOR A LENGTH OF .200 MIN FROM MATING END, GOLD FLASH ON REMAINDER, BOTH OVER .000050 MIN NICKEL.  
 POST - BRASS, .000100 MIN TIN OVER .000100 MIN COPPER.
- △ CONTACT:  
 BODY - BRASS, .000100 MIN TIN OVER .000050 MIN NICKEL.  
 POST - BRASS, .000100 MIN TIN OVER .000100 MIN COPPER.
- △ FLANGE SEAL: ELASTOMER, COLOR: BLACK.

FLANGE SEAL	PERIPHERAL SEAL	L	CONTACT FINISH	SELECT LOADED IN POSITIONS	PART NUMBER
YES	YES	.368	7	1-17, 19-37	2-208224-5
NO	NO	.557	3	1-9, 11-31, 33-37	2-208224-4
NO	YES	.557	3	ALL	2-208224-3
NO	NO	.368	7	ALL	2-208224-2
NO	NO	.557	7	ALL	2-208224-1
NO	YES	.368	8	1-10, 12-29, 31-37	1-208224-8
NO	YES	.368	8	4,8,10,23,31,34-36	1-208224-7
NO	YES	.368	8	1-10, 12-29, 31-37	1-208224-6
NO	YES	.368	5	1-22, 24-37	1-208224-5
NO	NO	.368	5	ALL	1-208224-3
NO	YES	.368	5	1-10, 12-29, 31-37	1-208224-2
NO	YES	.368	5	1-22, 24-37	1-208224-1
NO	YES	.368	4	1-10, 12-29, 31-37	1-208224-0
NO	NO	.368	3	ALL	208224-9
NO	YES	.368	4	1-22, 24-37	208224-5
NO	YES	.368	4	4,8,10,23,31,34-36	208224-4
NO	YES	.368	4	1-10, 12-29, 31-37	208224-3
NO	NO	.368	4	ALL	208224-2
NO	NO	.557	3	ALL	208224-1

RECOMMENDED PC BOARD LAYOUT

DIMENSIONS: INCHES 9 PLC ±.0 1 PLC ±.00 5 PLC ±.00 4 PLC ±.0000 ANGLES ±.		TOLERANCES UNLESS OTHERWISE SPECIFIED: 9 PLC ±.0 1 PLC ±.00 5 PLC ±.00 4 PLC ±.0000 ANGLES ±.		DWN S. WELDON 26FEB2003 CHK S. HEADER 26FEB2003 APVD S. HEADER 26FEB2003		Tyco Electronics Harrisburg, PA 17105-3608	
MATERIAL: - FINISH: -		WEIGHT: -		NAME: RECEPTACLE ASSEMBLY, POSTED, REVERSE SEX, SERIES 1, 23-37, CPC		SIZE: A11 CAGE CODE: 00779 DRAWING NO: C=208224	
CUSTOMER DRAWING				SCALE: 3:1		SHEET 1 OF 1 REV AE	