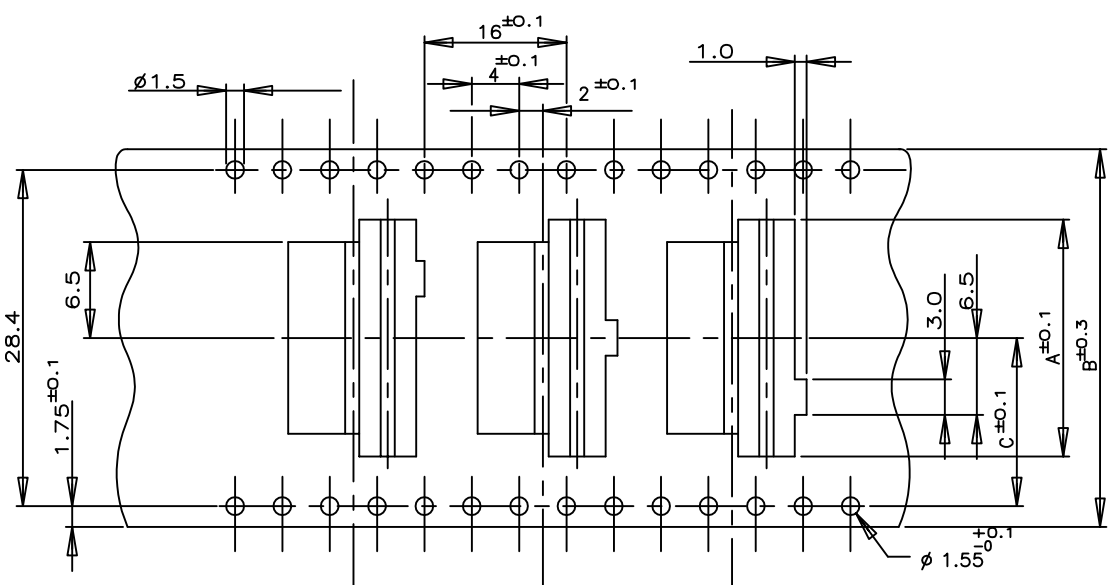
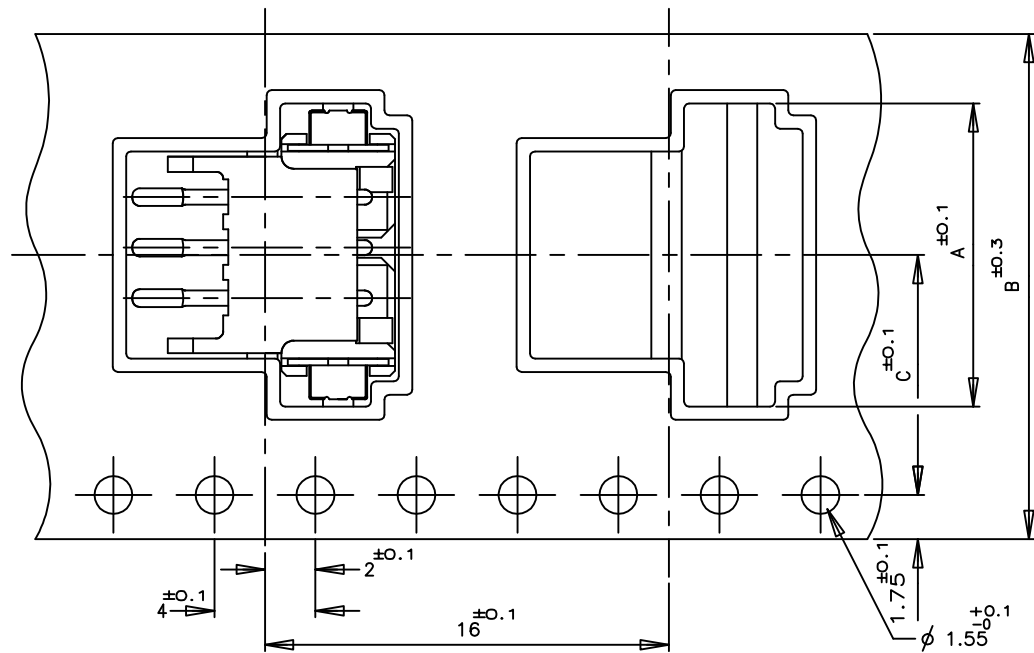


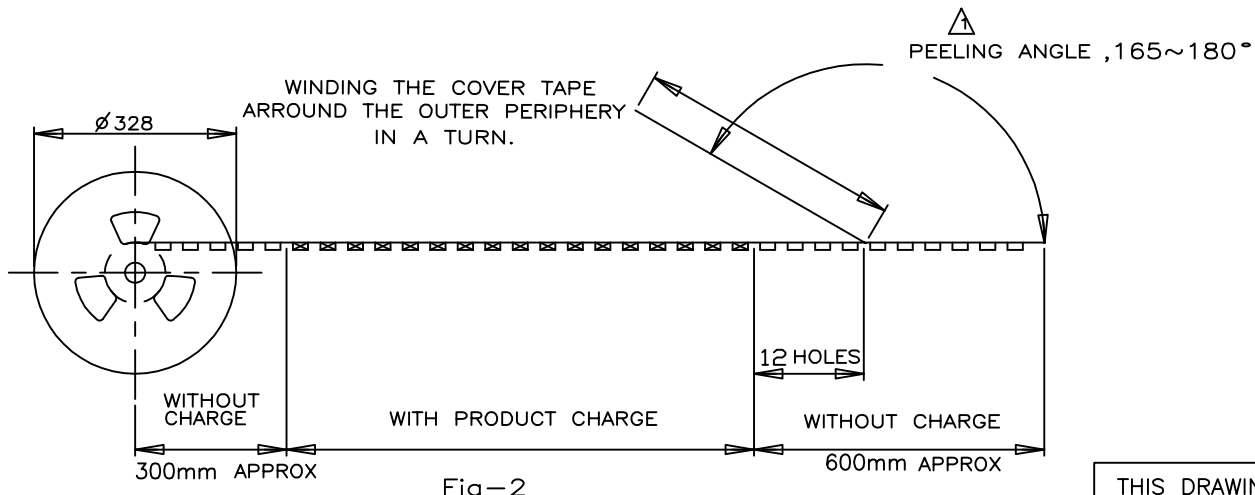
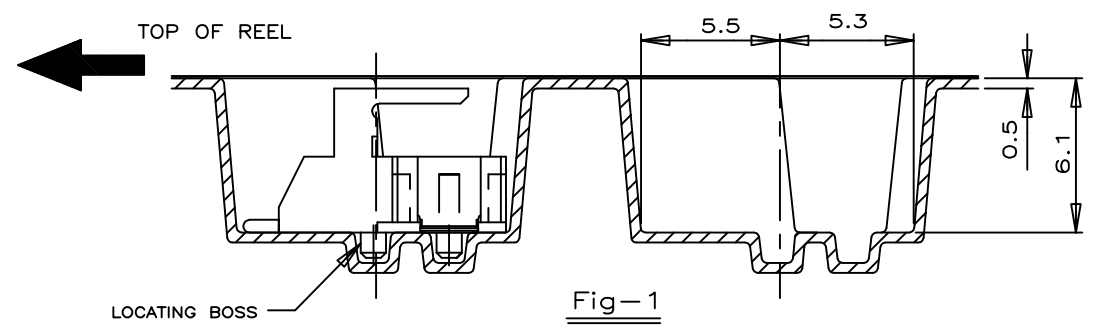
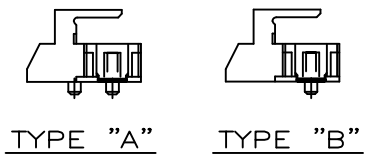
THIS DRAWING IS UNPUBLISHED. RELEASED FOR PUBLICATION
 © COPYRIGHT BY TYCO ELECTRONICS CORPORATION. ALL RIGHTS RESERVED.

LOC	DIST	REVISIONS		
FB	00	P	LTR	DESCRIPTION
		C1		REVISED ECR-10-019029
			DATE	DWN
			21SEP10	J.H
				APVD
				S.Y



(AS SHOWN : 3P)

FOR 7P ONLY
 THREE KINDS OF DIFFERENT POCKETS AS 1 SET
 USED FOR 7P ONLY



NATURAL	WITH	B	20.2	44	24	500	9	1-292173-9
		B	20.2	44	22		8	1- -8
		B	14.2	32	20		7	1- -7
		B	14.2	32	18		6	1- -6
		B	11.5	24	16		5	1- -5
		B			14		4	1- -4
		A			12		3	1- -3
		A	11.5	24	10		2	1- -2
	BLACK		B	20.2	44	24		9
		B	20.2	44	22		8	0- -8
		B	14.2	32	20		7	0- -7
		B	14.2	32	18		6	0- -6
		B	11.5	24	16		5	0- -5
		B			14		4	0- -4
		A			12		3	0- -3
WITH		A	11.5	24	10	500	2	0-292173-2
COLOR		PLATE	TYPE OF BOSS	C	B	A	QTY/ REEL	Pos

TOLERANCE UNLESS OTHERWISE SPECIFIED:

10 > *	±0.2
30 > * > 10	±0.25
100 > * > 30	±0.3
ANGLE	±3°

NOTES:
 PEELING RESISTANCE : 0.196N-0.686N (20gf-70gf)
 SPEED : 300mm/min

THIS DRAWING IS A CONTROLLED DOCUMENT.

DWN	JACK HOU	21SEP10
CHK	MARTIN LI	21SEP10
APVD	STEVEN YAO	21SEP10

Product Spec: PRODUCT SPEC, APPLICATION SPEC, WEIGHT

Customer Drawing

Scale: 1:1

Sheet: 1 OF 6

Rev: C1

Tyco Electronics Corporation, Shanghai, P.R.China, 200233

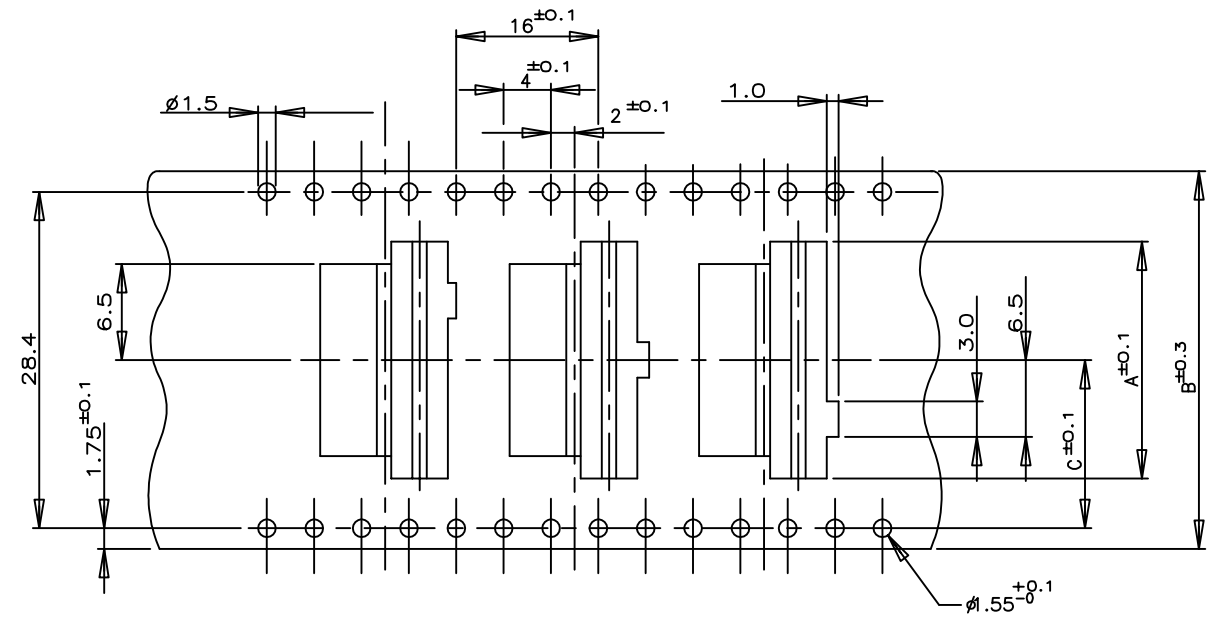
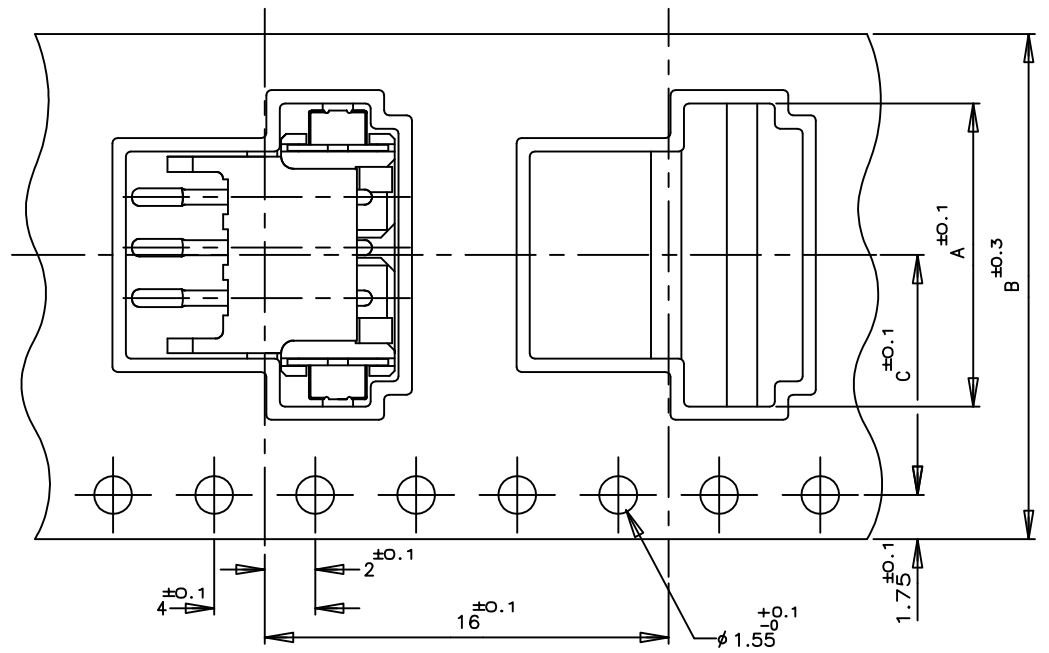
ON TAPING (EMBOSS)
 TE CT CONNECTOR POST HEADER ASS'Y
 (BOX-H SMT TYPE W/BOSS & TAIL)

Size: A3, Cage Code: 00779, Drawing No: C=292173

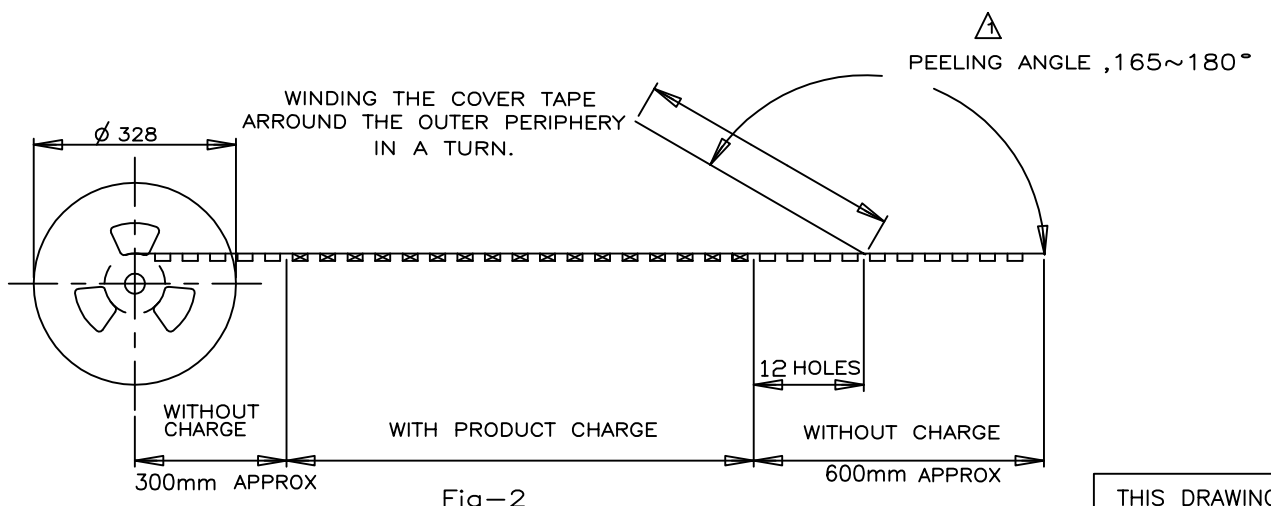
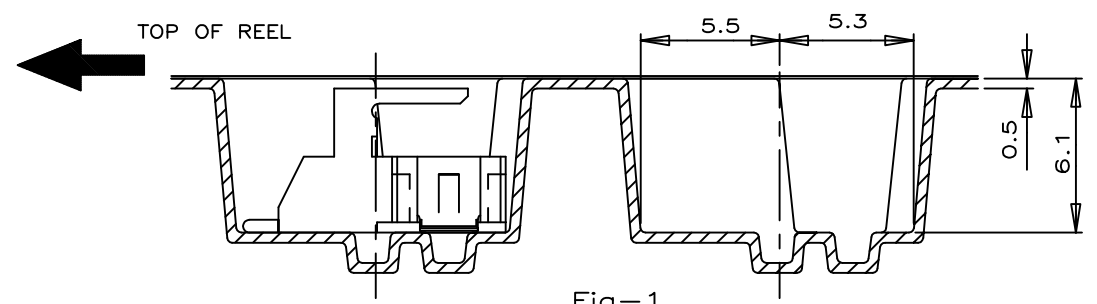
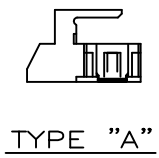
THIS DRAWING IS UNPUBLISHED. RELEASED FOR PUBLICATION
 © COPYRIGHT BY TYCO ELECTRONICS CORPORATION. ALL RIGHTS RESERVED.

LOC	DIST	REVISIONS		
FB	00	P	LTR	DESCRIPTION
				DATE
				DWN
				APVD
		SEE SHEET 1		

(AS SHOWN : 3P)



FOR 7P ONLY
 THREE KINDS OF DIFFERENT POCKETS AS 1 SET
 USED FOR 7P ONLY



NATURAL	WITH	A	20.2	44	24	500	9	3-292173-9
		A	20.2	44	22		8	3- -8
		A	14.2	32	20		7	3- -7
		A	14.2	32	18		6	3- -6
		A	11.5	24	16		5	3- -5
		A			14		4	3- -4
		A			12		3	3- -3
		A	11.5	24	10		2	3- -2
BLACK		A	20.2	44	24		9	2- -9
		A	20.2	44	22		8	2- -8
		A	14.2	32	20		7	2- -7
		A	14.2	32	18		6	2- -6
		A	11.5	24	16		5	2- -5
		A			14		4	2- -4
		A			12		3	2- -3
	WITH	A	11.5	24	10	500	2	2-292173-2
COLOR	PLATE	TYPE OF BOSS	C	B	A	QTY/ REEL	Pos	TAPING P/N

TOLERANCE UNLESS OTHERWISE SPECIFIED:

10>*	:±0.2
30>*>10	:±0.25
100>*>30	:±0.3
ANGLE	:±3'

NOTES:
 ▲ PEELING RESISTANCE : 0.196N-0.686N (20gf-70gf)
 SPEED : 300mm/min

THIS DRAWING IS A CONTROLLED DOCUMENT.

DIMENSIONS: MM	TOLERANCES UNLESS OTHERWISE SPECIFIED:	DWN
	0 PLC ±	CHK
	1 PLC ±	APVD
	2 PLC ±	PRODUCT SPEC
	3 PLC ±	APPLICATION SPEC
	4 PLC ±	WEIGHT
	ANGLES ±	CUSTOMER DRAWING
MATERIAL	FINISH	

Tyco Electronics Tyco Electronics Corporation
 Shanghai, P.R.China,200233

ON TAPING (EMBOSS)
 TE CT CONNECTOR POST HEADER ASS'Y
 (BOX-H SMT TYPE W/O BOSS & W/ TAIL)

SIZE: A3 CAGE CODE: 00779 DRAWING NO: C=292173 RESTRICTED TO: -

SCALE: 1:1 SHEET 2 OF 6 REV C1

THIS DRAWING IS UNPUBLISHED.

RELEASED FOR PUBLICATION

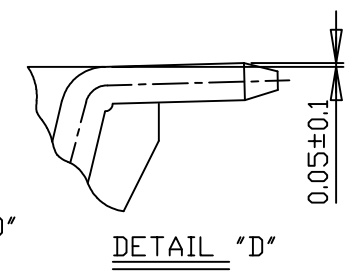
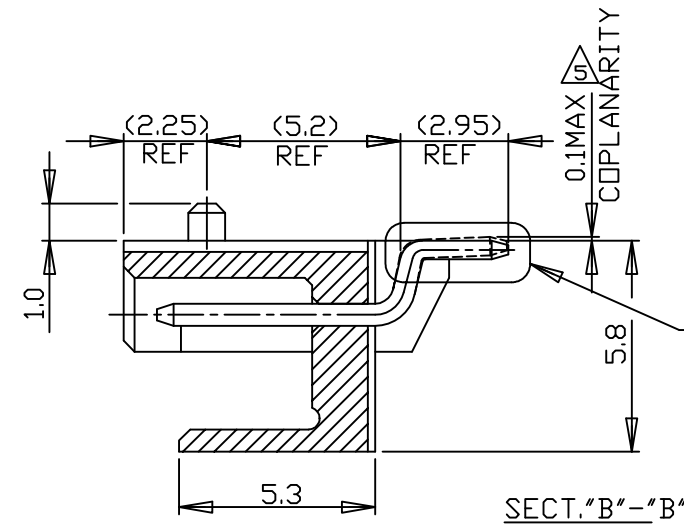
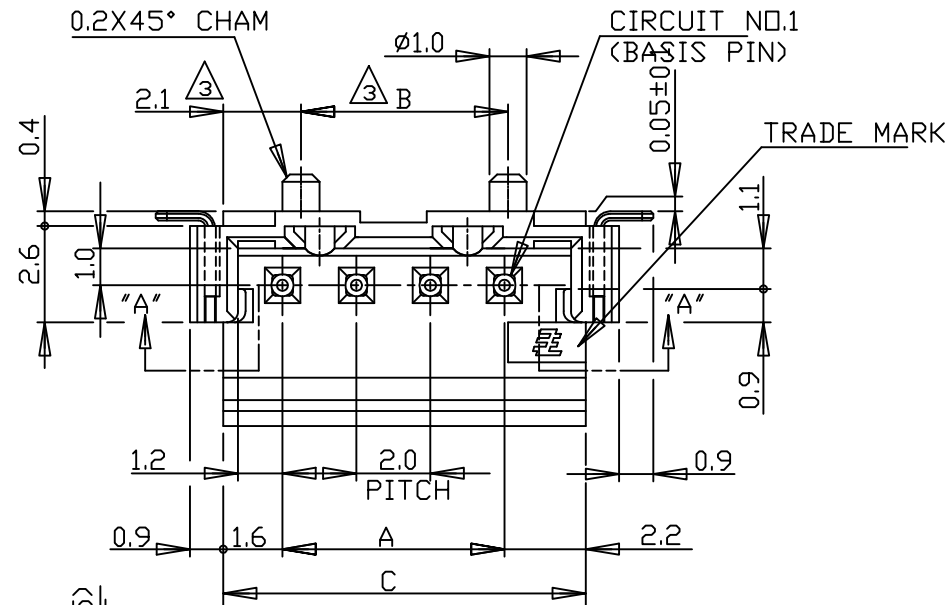
© COPYRIGHT BY TYCO ELECTRONICS CORPORATION. ALL RIGHTS RESERVED.

LOC ES DIST 00

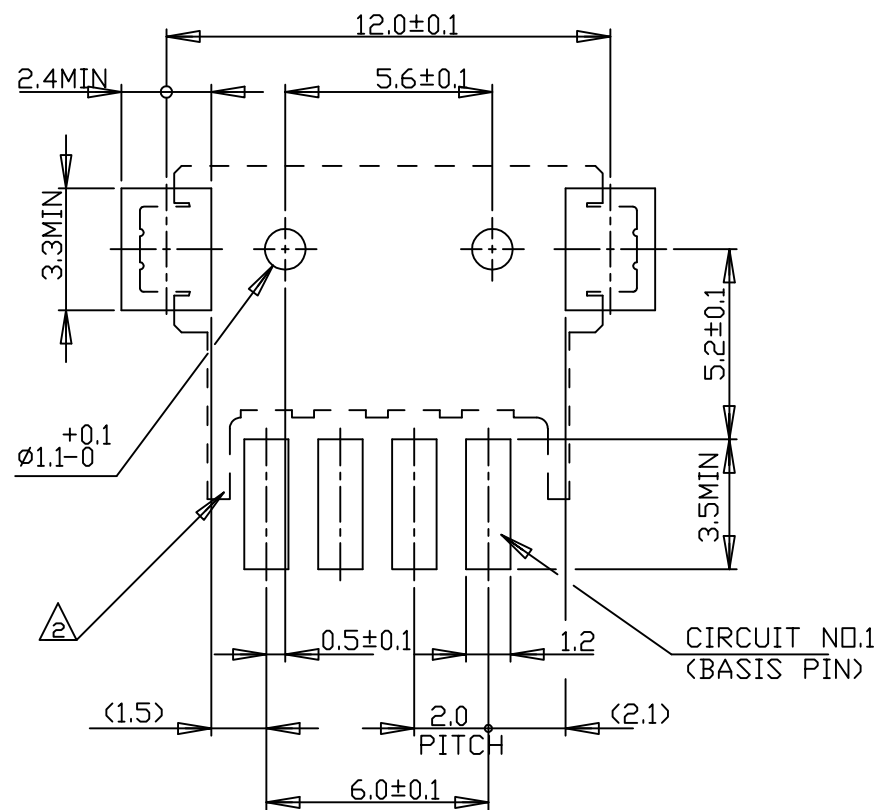
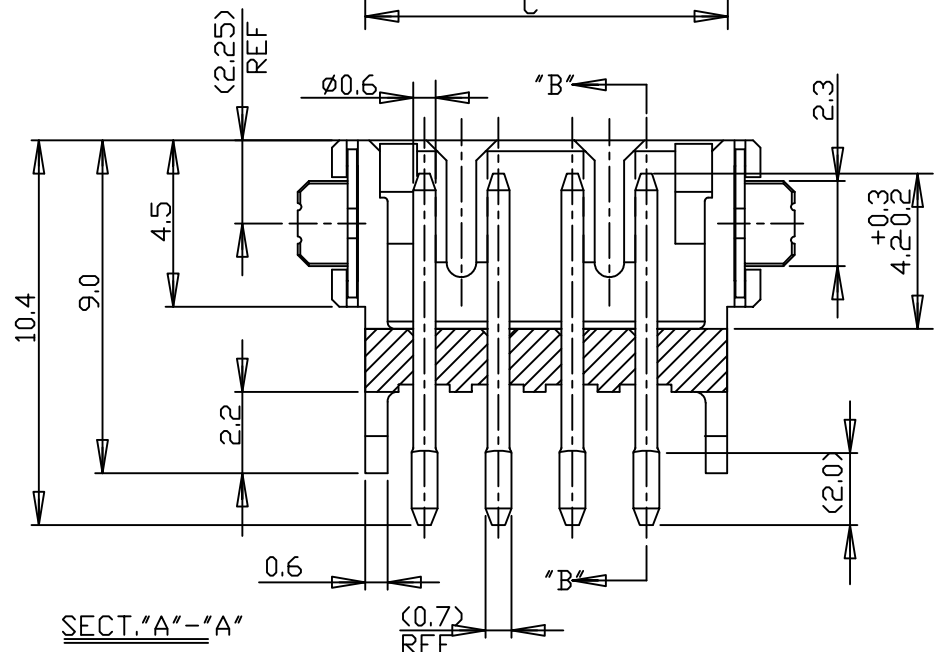
REVISIONS

P	LTR	DESCRIPTION	DATE	DWN	APVD
-	-	SEE SHEET 1	-	-	-

(AS SHOWN : -4)

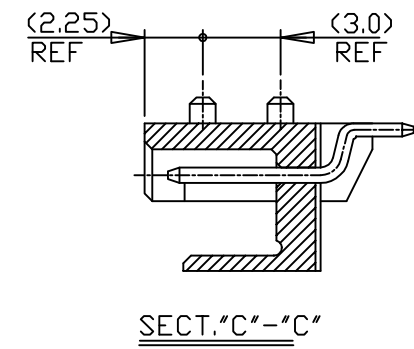
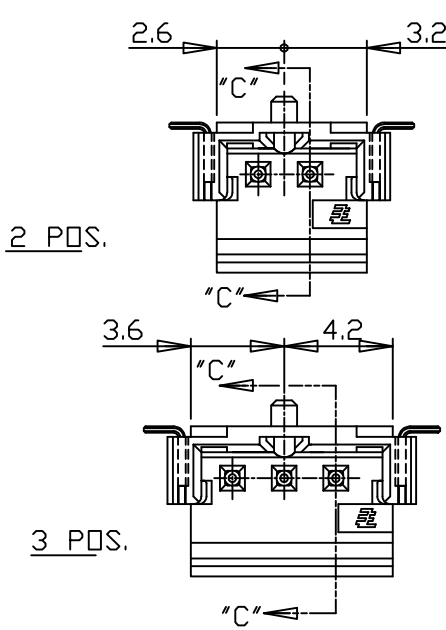


- NOTES:
 1. MATERIAL:HSG-6T PA(G.F.30%)(UL94V-0)
 COLOR:BLACK ,NATURAL
 POST: TIN BRASS
 TAIL: TIN BRASS
 2 OCCUPANT AREA ON PC BOARD
 3 4P&ABOVE POS.
 4 2P&3P
 5 TO BE MEASURED WITH CONNECTOR PLACED ON HORIZONTAL DATUM SURFACE ,FLOAT OF SOLDER TINE AND TAIL FROM DATUM SURFACE IS 0.1mm MAX



NO ACCUMULATED TOLERANCE RECOMMENDED P.C.BOARD LAYOUT (P.C.B. THK:0.8mm MIN)

16.0	15.6	19.8	22.0	9	1-292173-9	292173-9	
14.0	13.6	17.8	20.0	8	1- -8	-8	
12.0	11.6	15.8	18.0	7	1- -7	-7	
10.0	9.6	13.8	16.0	6	1- -6	-6	
8.0	7.6	11.8	14.0	5	1- -5	-5	
6.0	5.6	9.8	--	4	1- -4	-4	
4.0	--	7.8	--	3	1- -3	-3	
2.0	--	5.8	--	2	1-292173-2	292173-2	
A	B	C	D	Pos.	NATURAL	BLACK	
						P/N	



TOLERANCES UNLESS OTHERWISE SPECIFIED:
 10>* : ±0.2
 30>* >10 : ±0.25
 100>* >30 : ±0.3
 ANGEL : ±3°

THIS DRAWING IS A CONTROLLED DOCUMENT.

DIMENSIONS: MM	TOLERANCES UNLESS OTHERWISE SPECIFIED:	DWN	CHK	APVD	PRODUCT SPEC	108-60016	APPLICATION SPEC	SIZE	CAGE CODE	DRAWING NO	RESTRICTED TO	
0 PLC ±	1 PLC ±	2 PLC ±	3 PLC ±	4 PLC ±	ANGLES ±	FINISH	SEE NOTE	A3	00779	C=292173		
MATERIAL	SEE NOTE	WEIGHT	-	CUSTOMER DRAWING	SCALE	5:1	SHEET	3	OF	6	REV	C1

Tyco Electronics Corporation
 Shanghai, P.R.China,200233
 SMT TYPE POST HDR ASS'Y (H)
 WITH BOSS & TAIL TYPE
 (TE CT CONN. 2mm PITCH)

4

3

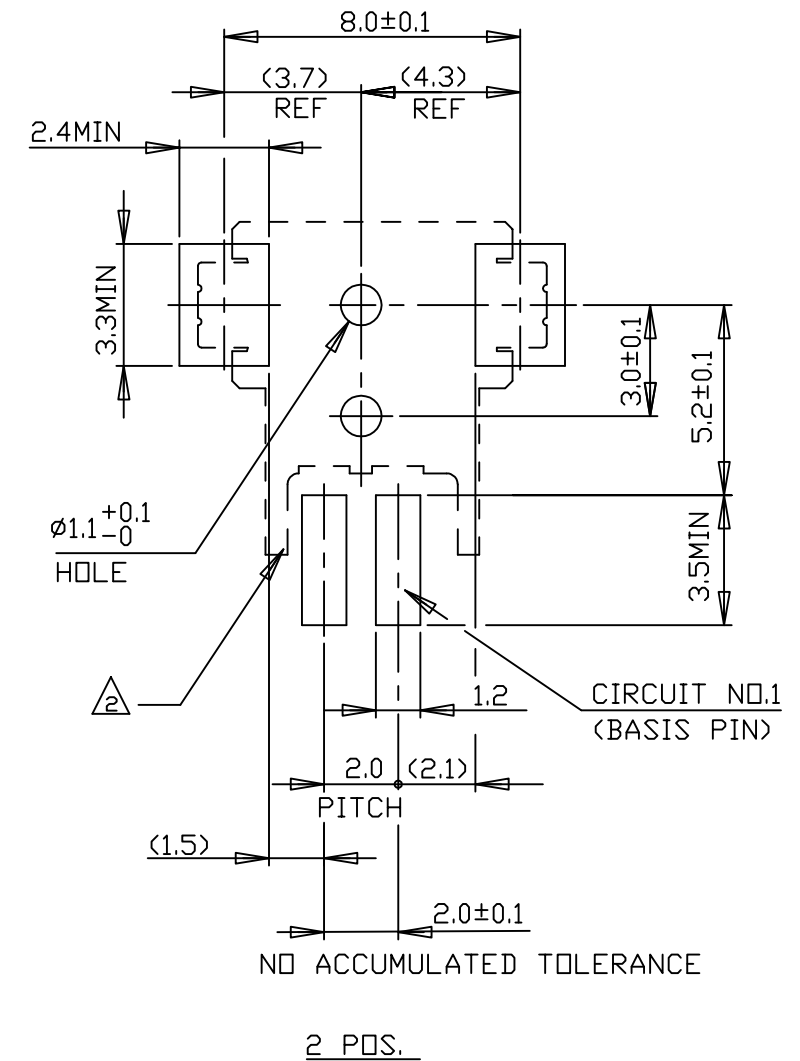
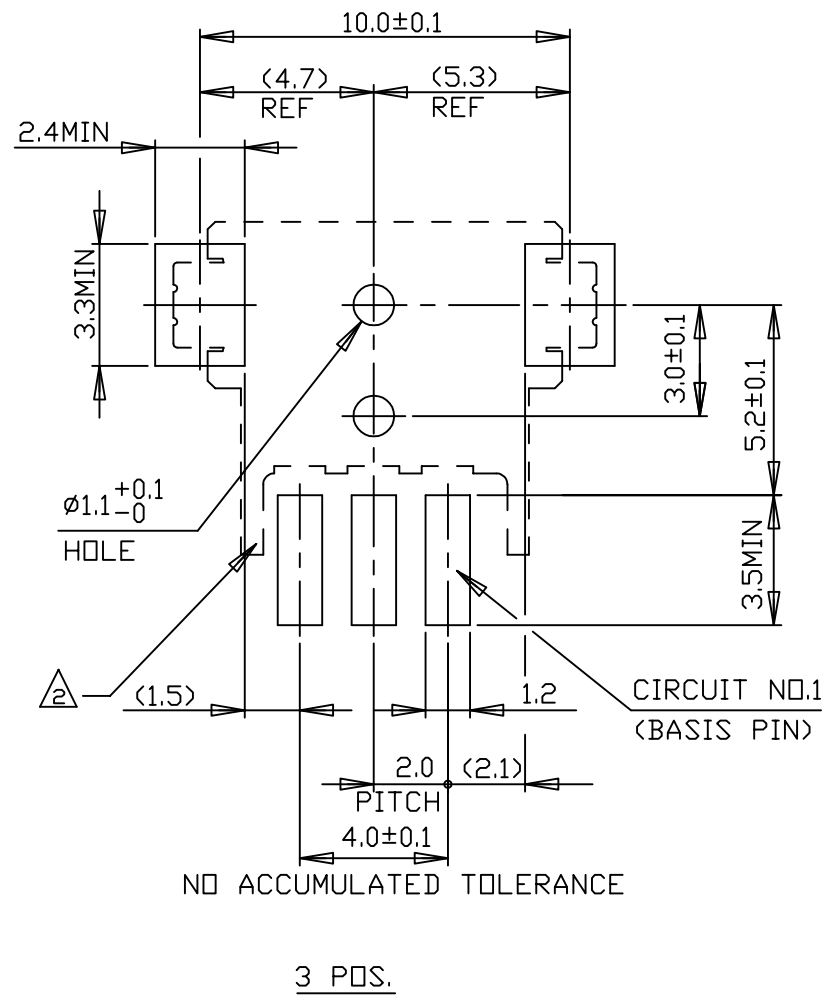
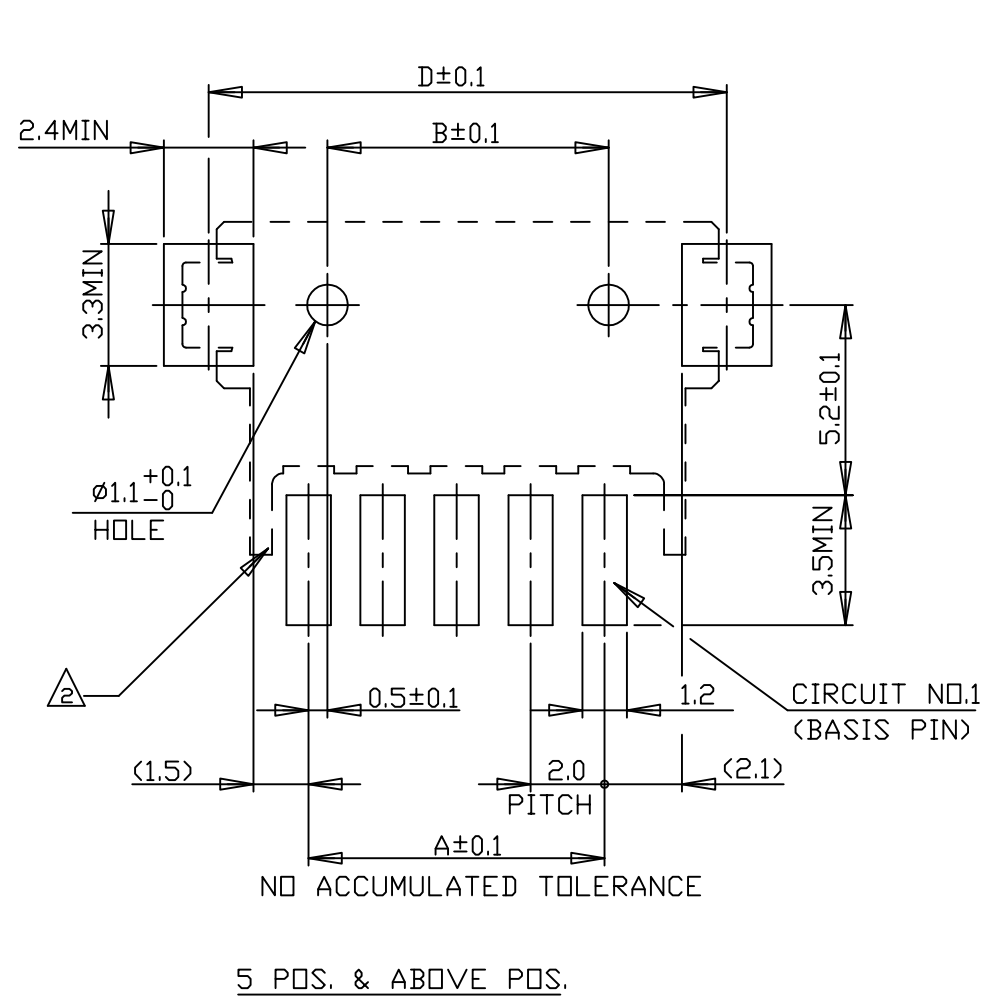
2

1

THIS DRAWING IS UNPUBLISHED. RELEASED FOR PUBLICATION
© COPYRIGHT BY TYCO ELECTRONICS CORPORATION. ALL RIGHTS RESERVED.

LOC	DIST	REVISIONS					
ES	00	P	LTR	DESCRIPTION	DATE	DWN	APVD
		-		SEE SHEET 1	-	-	-

LAYOUT FOR 292173-X,1-292173-X



RECOMMENDED P.C. BOARD LAYOUT
(P.C.B THK:0.8mm MIN)

THIS DRAWING IS A CONTROLLED DOCUMENT.		DWN	-	Tyco Electronics	Tyco Electronics Corporation	
DIMENSIONS: MM		CHK	-		Shanghai, P.R.China,200233	
TOLERANCES UNLESS OTHERWISE SPECIFIED:		APVD	-	NAME		
0 PLC ±-		PRODUCT SPEC	-	SMT TYPE POST HDR ASS'Y (H)		
1 PLC ±-		APPLICATION SPEC	-	WITH BOSS &TAIL TYPE		
2 PLC ±-		SIZE	A3	CAGE CODE	00779	
3 PLC ±-		DRAWING NO	C=292173		RESTRICTED TO	
4 PLC ±-		WEIGHT	-		-	
ANGLES ±-		CUSTOMER DRAWING	SCALE	5:1	SHEET 4 OF 6	
FINISH				REV	C1	

4

3

2

1

THIS DRAWING IS UNPUBLISHED.

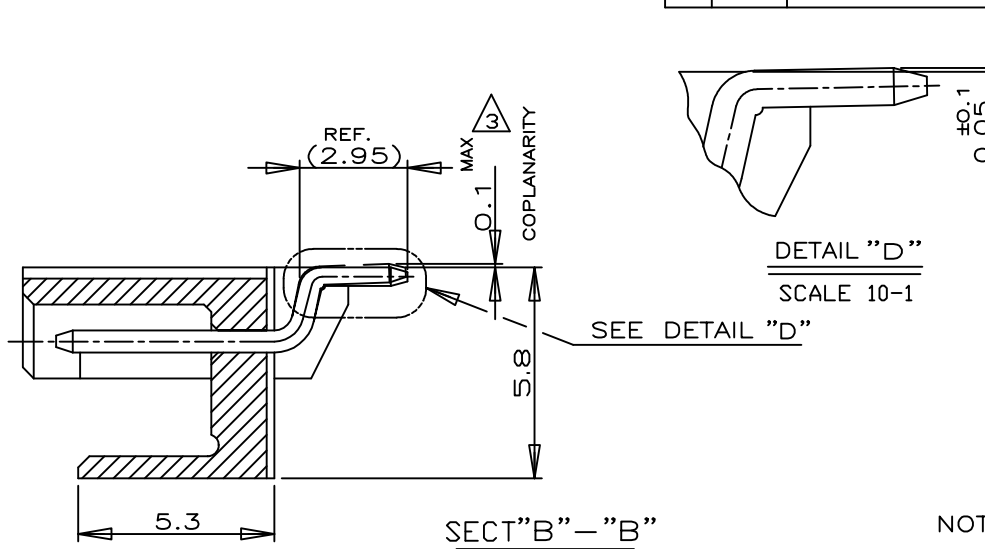
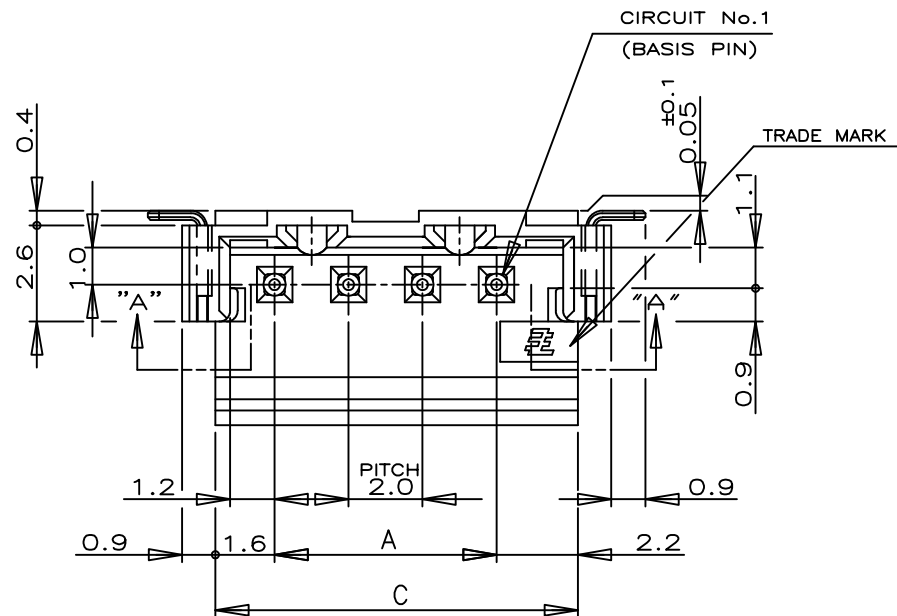
RELEASED FOR PUBLICATION

© COPYRIGHT BY TYCO ELECTRONICS CORPORATION. ALL RIGHTS RESERVED.

LOC ES DIST 00

REVISIONS

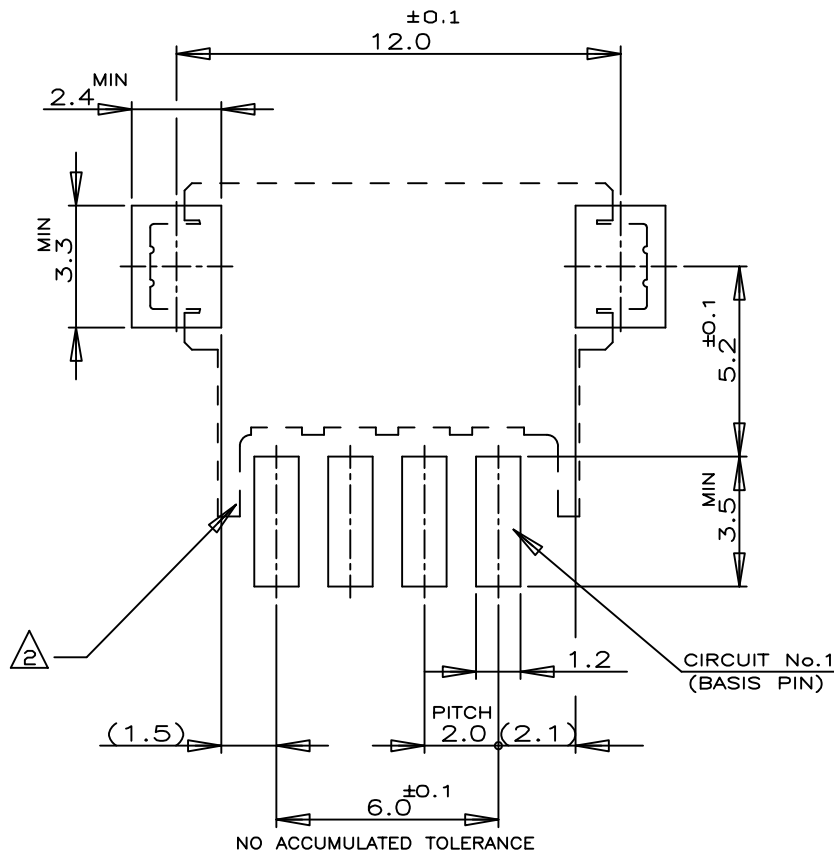
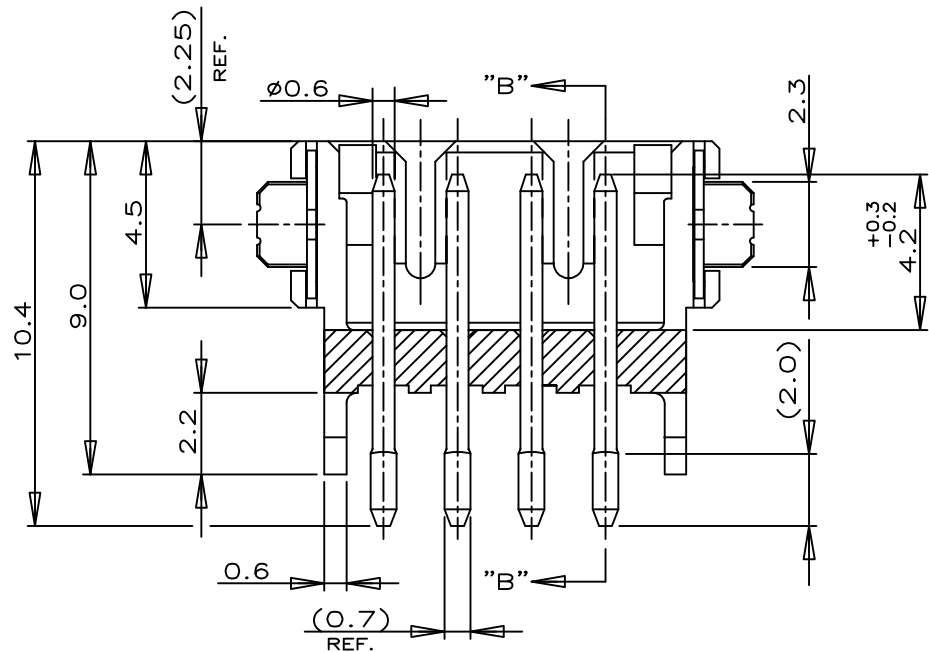
P	LTR	DESCRIPTION	DATE	DWN	APVD
-	-	SEE SHEET 1	-	-	-



(AS SHOWN :4P)

NOTES:

- MATERIAL : HSG-6T PA(G.F.30%)(UL94V-0)
COLOR:BLACK,NATURAL
POST:TIN BRASS
TAIL: TIN BRASS
- OCUPANT AREA ON PC BOARD
- TO BE MEASURED WITH CONNECTOR PLACED ON HORIZONTAL DATUM SURFACE,FLOAT OF SOLDER TINE AND TAIL FROM DATUM SURFACE IS 0.1mm MAX

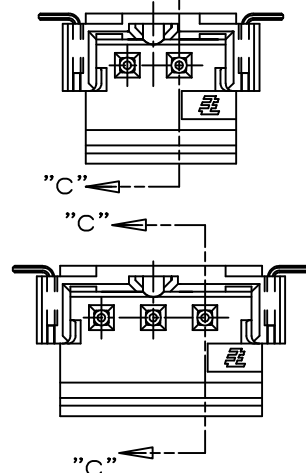


RECOMENOED P.C.BOARD LAYOUT (P.C.B THK:0.8mm MIN)

SECT "A" - "A"

2 POS.

3 POS.



SECT "C" - "C"

TOLERANCES UNLESS OTHERWISE SPECIFIED:

10 > *	: ±0.2
30 > * > 10	: ±0.25
100 > * > 30	: ±0.3
ANGEL	: ±3°

THIS DRAWING IS A CONTROLLED DOCUMENT.

DIMENSIONS: MM	TOLERANCES UNLESS OTHERWISE SPECIFIED:
	0 PLC ±
	1 PLC ±
	2 PLC ±
	3 PLC ±
	4 PLC ±
	ANGLES ±
MATERIAL	FINISH
SEE NOTE	SEE NOTE

DWN	-
CHK	-
APVD	-
PRODUCT SPEC	108-60016
APPLICATION SPEC	-
WEIGHT	-
CUSTOMER DRAWING	-

Tyco Electronics Tyco Electronics Corporation
Shanghai, P.R.China,200233

NAME: SMT TYPE POST HDR ASS'Y (BOX-H)
W/O BOSS,WITH TAIL TYPE
(TE CT CONN. 2mm PITCH)

SIZE	CAGE CODE	DRAWING NO	RESTRICTED TO
A3	00779	C=292173	-

SCALE 5:1 SHEET 5 OF 6 REV C1

4

3

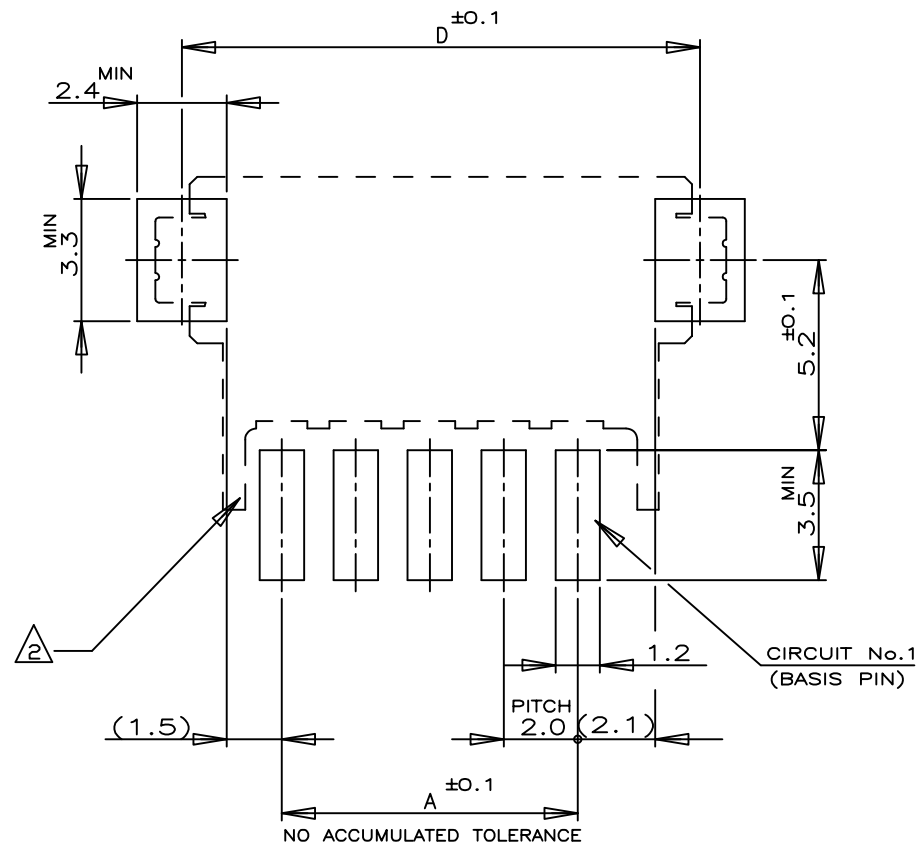
2

1

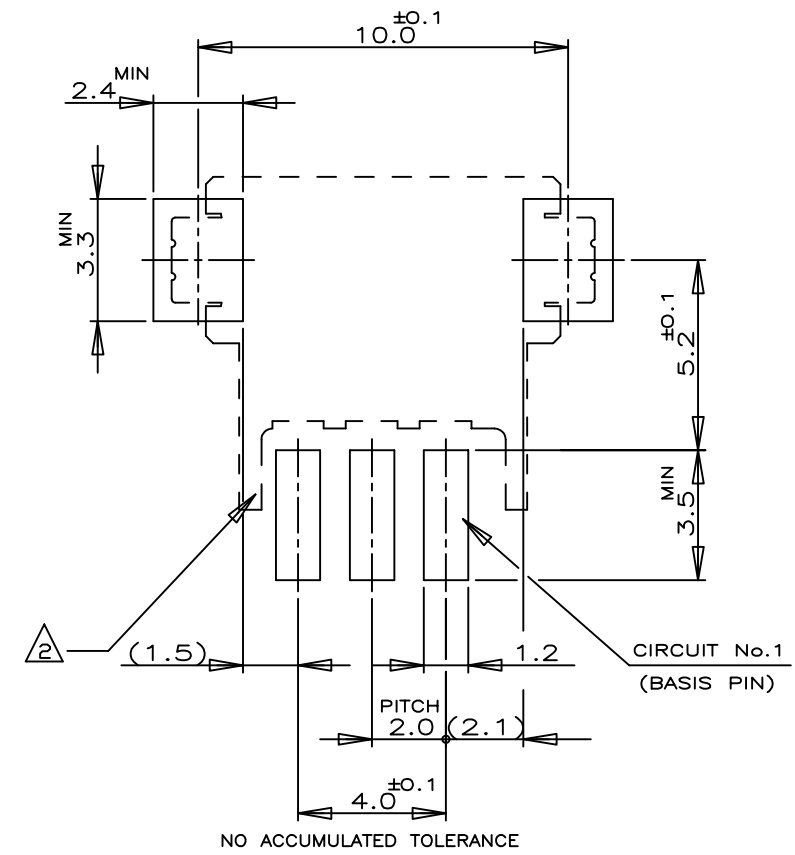
THIS DRAWING IS UNPUBLISHED. RELEASED FOR PUBLICATION
© COPYRIGHT - BY TYCO ELECTRONICS CORPORATION. ALL RIGHTS RESERVED.

LOC	DIST	REVISIONS					
ES	00	P	LTR	DESCRIPTION	DATE	DWN	APVD
		-	-	SEE SHEET 1	-	-	-

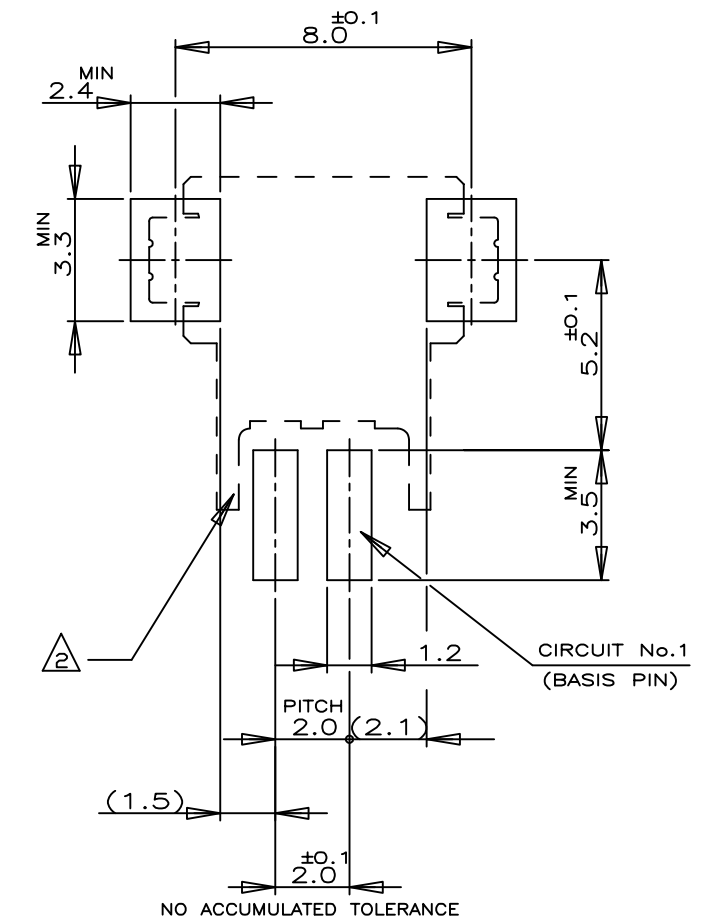
LAYOUT FOR 2-292173-X,3-2-292173-X



5 POS & ABOVE POS



3 POS



2POS

RECOMENOD P.C.BOARD LAYOUT
(P.C.B THK:0.8mm MIN)

THIS DRAWING IS A CONTROLLED DOCUMENT.		DWN	-	Tyco Electronics	Tyco Electronics Corporation	
DIMENSIONS: MM		CHK	-		Shanghai, P.R.China,200233	
TOLERANCES UNLESS OTHERWISE SPECIFIED:		APVD	-	NAME	SMT TYPE POST HDR ASS'Y (H)	
0 PLC ± -		PRODUCT SPEC	-	W/O,WITH TAIL TYPE		
1 PLC ± -		APPLICATION SPEC	-	(TE CT CONN. 2mm PITCH)		
2 PLC ± -		SIZE	A3	CAGE CODE	00779	DRAWING NO
3 PLC ± -		WEIGHT	-	C=292173		RESTRICTED TO
4 PLC ± -		CUSTOMER DRAWING		SCALE	5:1	SHEET 6 OF 6
ANGLES ± -				REV	C1	
FINISH -						