

4

3

2

1

THIS DRAWING IS UNPUBLISHED. RELEASED FOR PUBLICATION

,19

LOC DIST

REVISIONS

© COPYRIGHT 19 BY AMP INCORPORATED, ALL RIGHTS RESERVED.

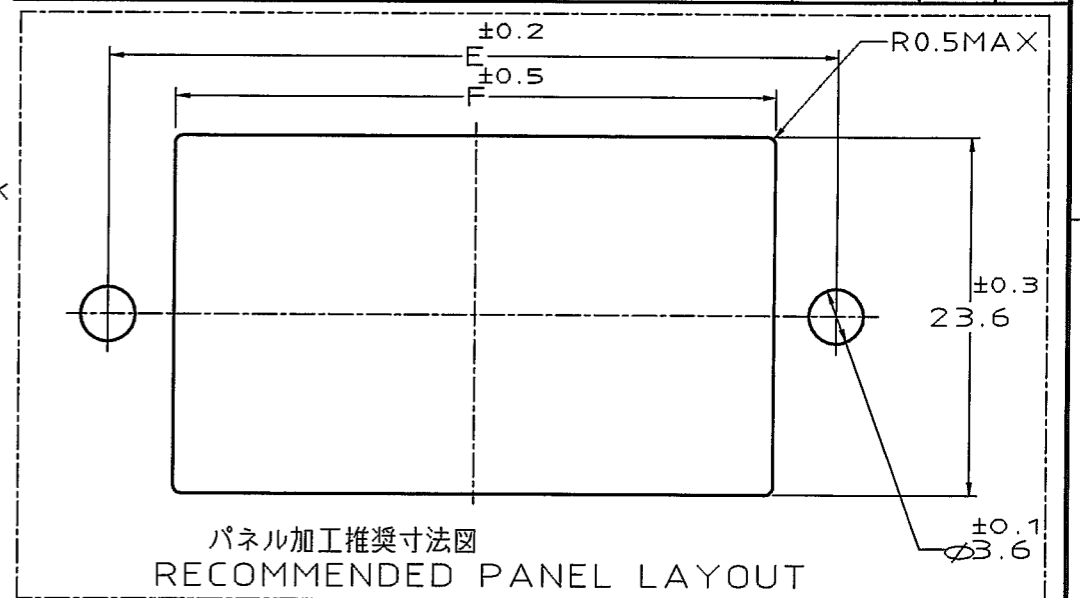
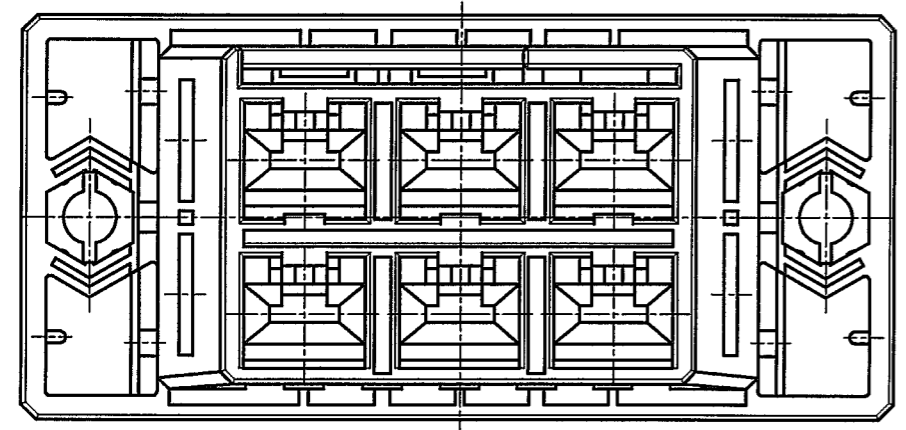
P	LTR	DESCRIPTION	ECN	DATE	DWN	APVD
	A	REVISED	FJ00-3356-95	14/MAY/96	K.I	S.M
	A1	ADD P/N.	FJ00-1259-00	11/OCT/00	D.M	S.M
	B	REVISED	FJD0-0381-04	20 Oct 04	T.S	DM

注記

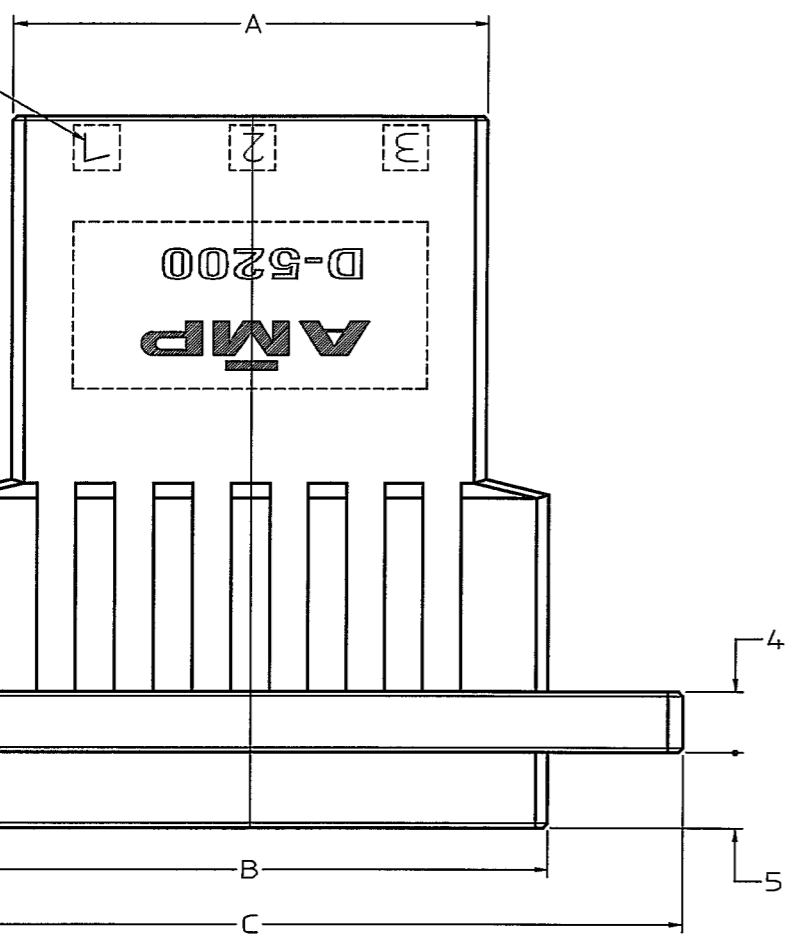
- △ 材料: ハウジング: ガラス入り熱可塑性ポリエステル樹脂 (94V-0), 色: 黒
- △ ハウジング全面にテフロン塗装のこと
- ≡ パネル取付推奨ネジ M3

NOTES

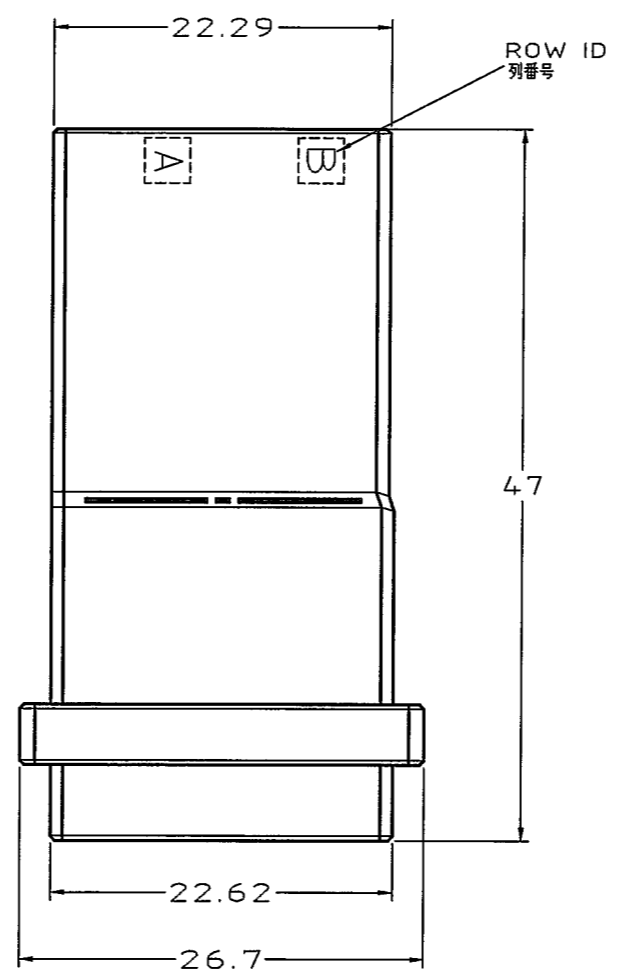
- △ MATERIAL: HOUSING: GLASS FILED THERMO PLASTIC, POLYESTER(94V-0), COLOR: BLACK
- △ TO COAT ALL SURFACE OF HOUSING WITH TEFLON
- ≡ PANEL ATTACHMENT RECOMMENDATION M3 SCREW



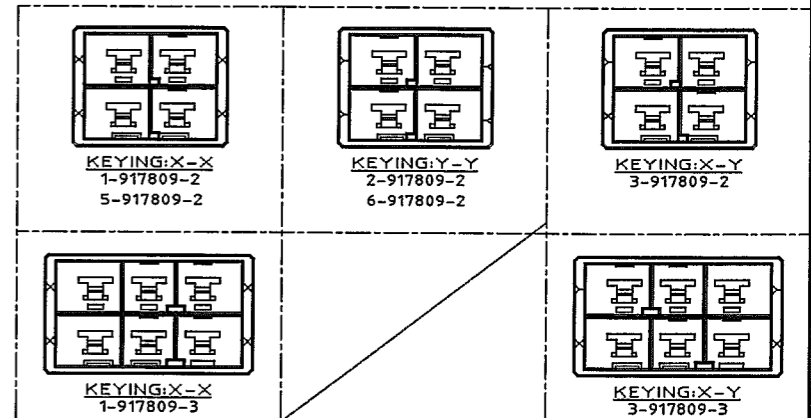
CIRCUIT NO.  
回路番号



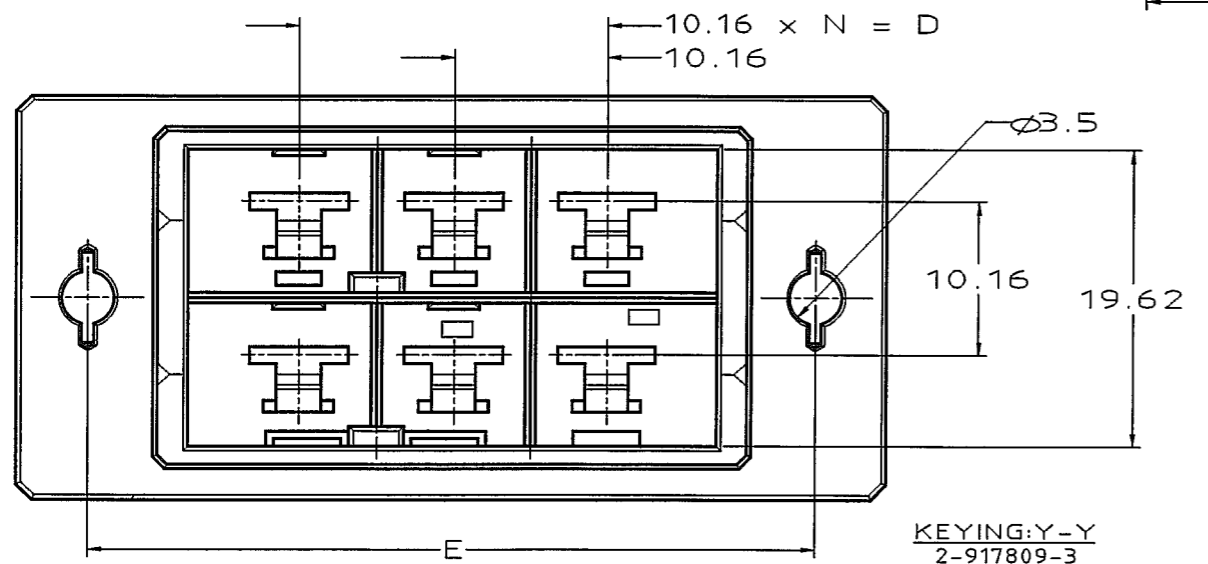
矢視 "A"  
VIEW "A"



矢視 "A"  
VIEW "A"



-	-	-	-	-	-	-	-	-	-	3-917809-3
-	-	-	-	-	-	-	-	-	-	2-917809-3
-	31.27	39.52	57	20.32	48	40.5	2	6	-	1-917809-3
△	-	-	-	-	-	-	-	-	-	6-917809-2
△	-	-	-	-	-	-	-	-	-	5-917809-2
-	-	-	-	-	-	-	-	-	-	3-917809-2
-	-	-	-	-	-	-	-	-	-	2-917809-2
-	21.11	29.36	47	10.16	38	30.4	1	4	-	1-917809-2
FINISH	A	B	C	D	E	F	N	POS	P/N	



THIS DRAWING IS A CONTROLLED DOCUMENT FOR AMP INCORPORATED. IT IS SUBJECT TO CHANGE AND THE CONTROLLING ENGINEERING ORGANIZATION SHOULD BE CONTACTED FOR THE LATEST REVISION.

DIMENSIONS: 単位 寸: mm

TOLERANCES UNLESS OTHERWISE SPECIFIED:  
一般公差  
10 : ±0.2  
>10 : ±0.25  
30 : ±0.3  
100 : ±0.3  
ANGLE : ±0.3°

MATERIAL 材料

FINISH 仕上

DWN 31/OCT/95  
CHK K.IKEDA  
31/OCT/95  
Y.ISHIKAWA  
APVD 1/NOV/95  
S.MANABE

PRODUCT SPEC 製品規格  
108-5453

APPLICATION SPEC 取付適用規格  
114-5206

WEIGHT T1

CUSTOMER DRAWING

tyco Electronics  
Tyco Electronics AMP K.K.  
Kawasaki, Japan

NAME 名称  
2列 タブ ハウジング  
パネルマウント タイプ  
DOUBLE ROW TAB HSG (PANEL MOUNT)  
<DYNAMIC D-5200 M>

SIZE A3  
CAGE CODE 00779  
DRAWING NO 番号  
C-917809

SCALE 尺度 2-1  
SHEET 1 OF 1  
REV B