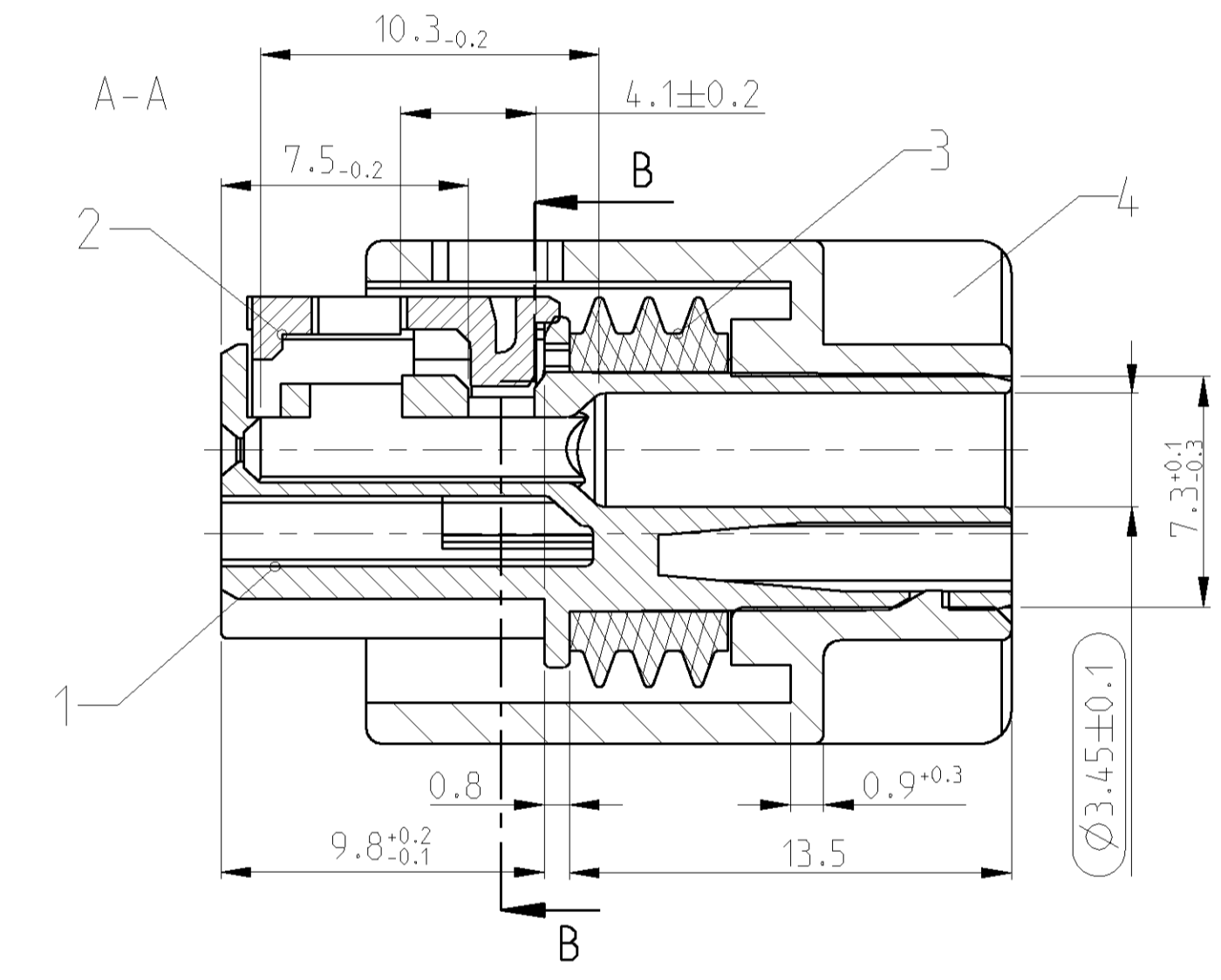
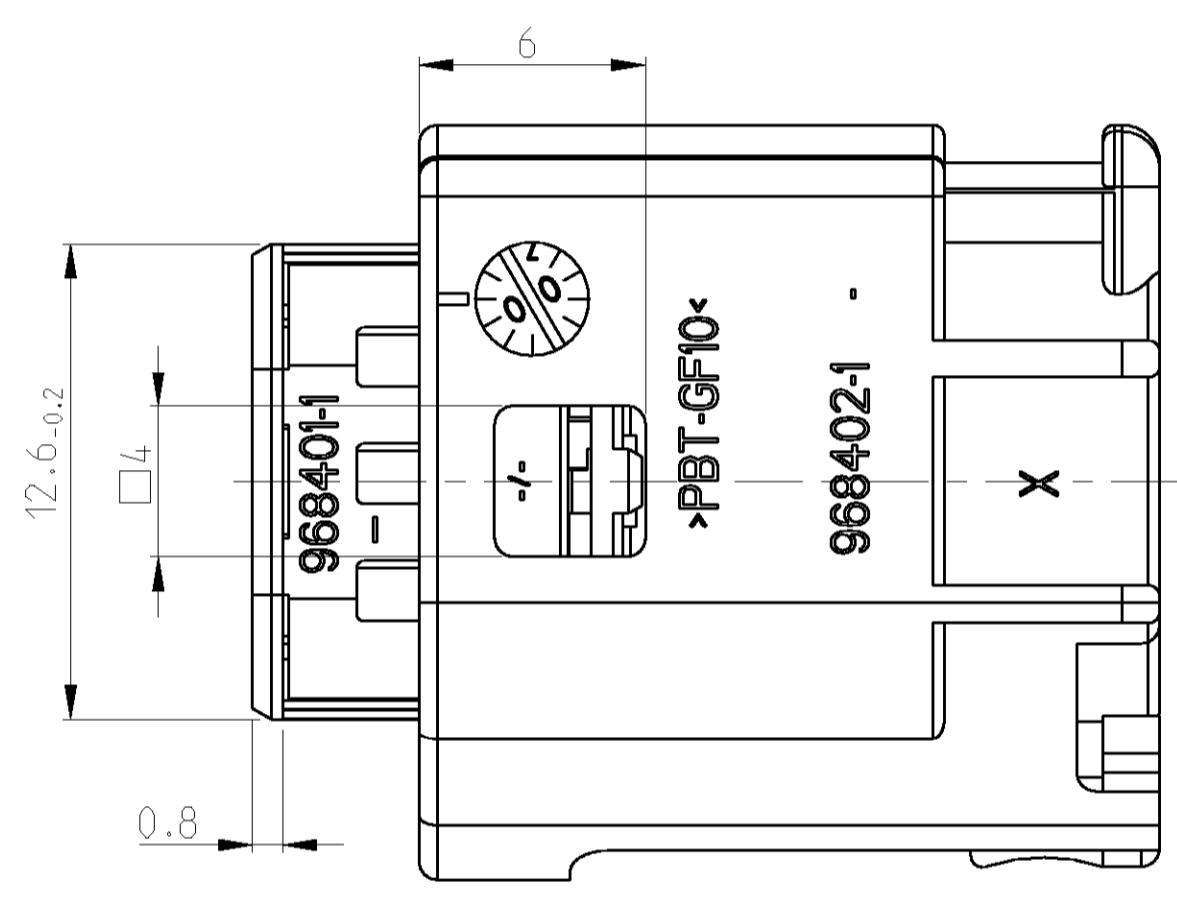
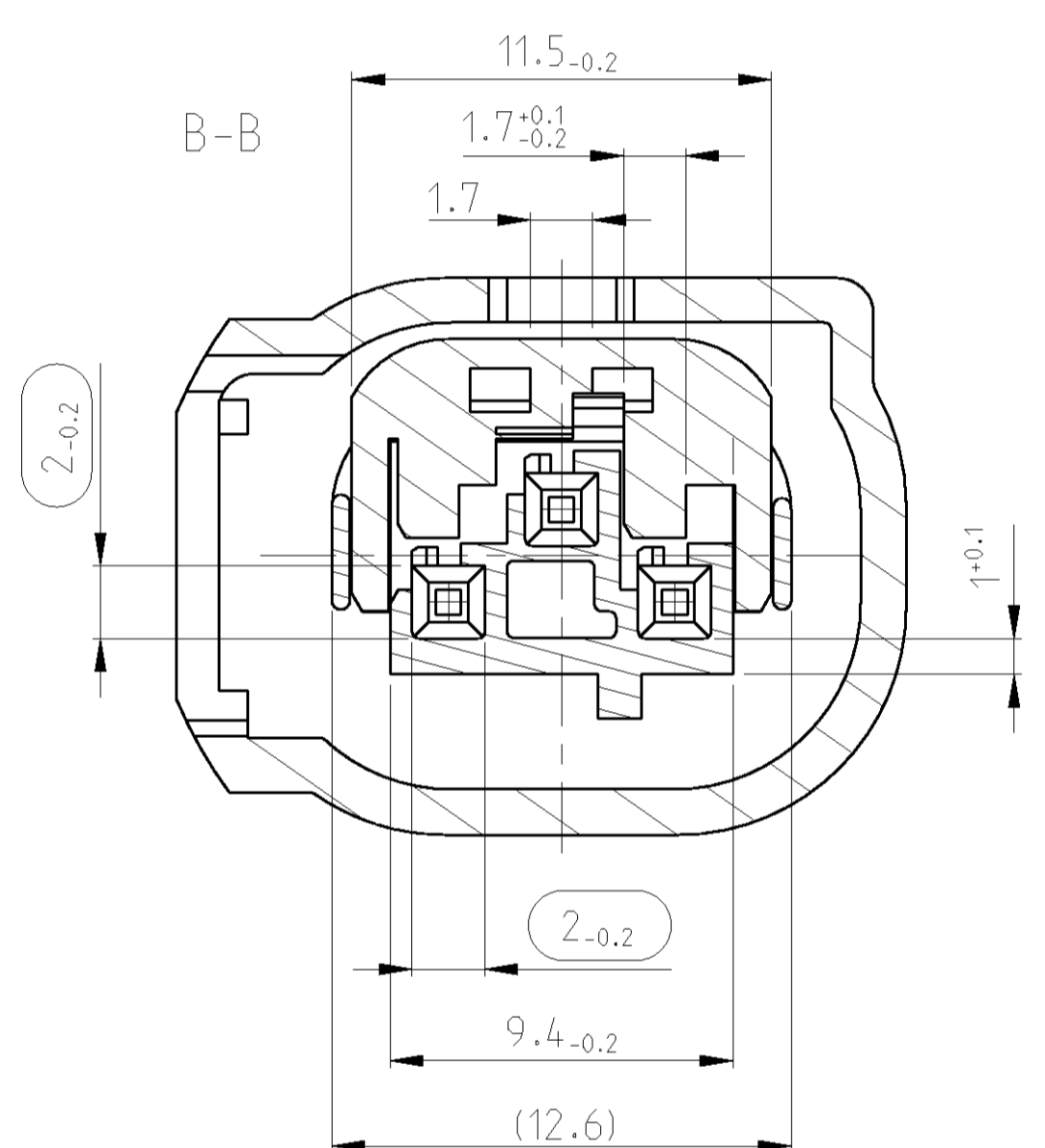
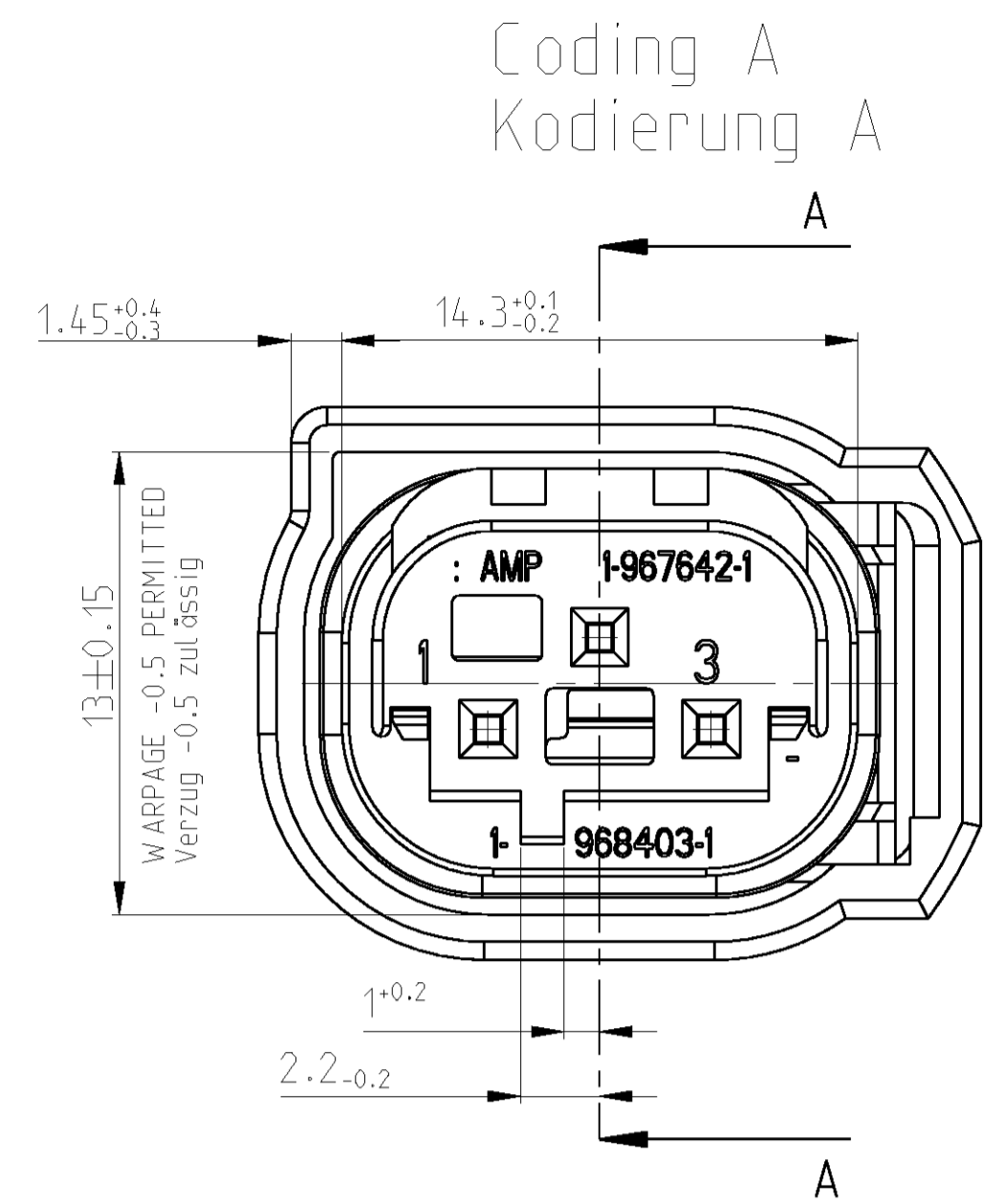
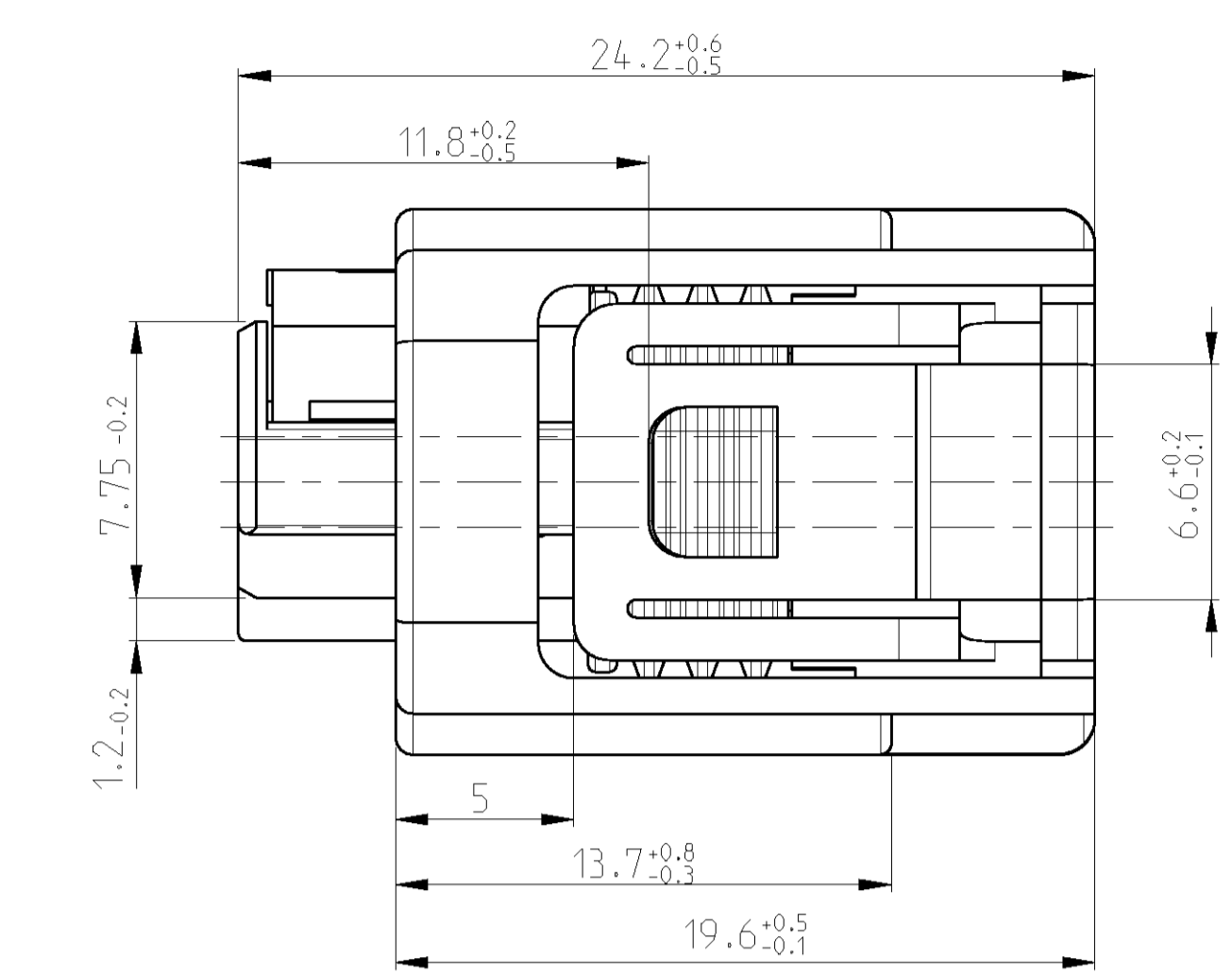
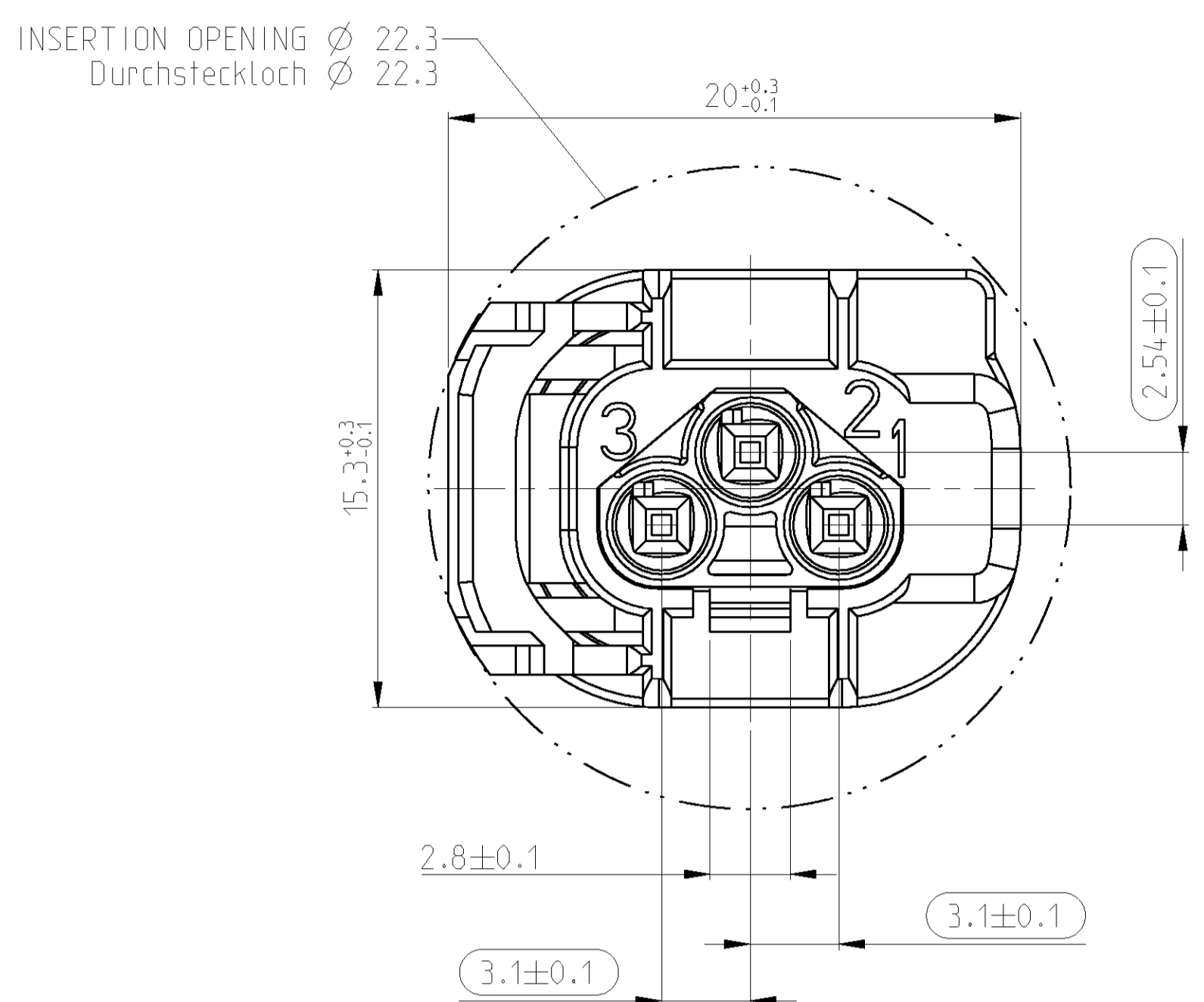
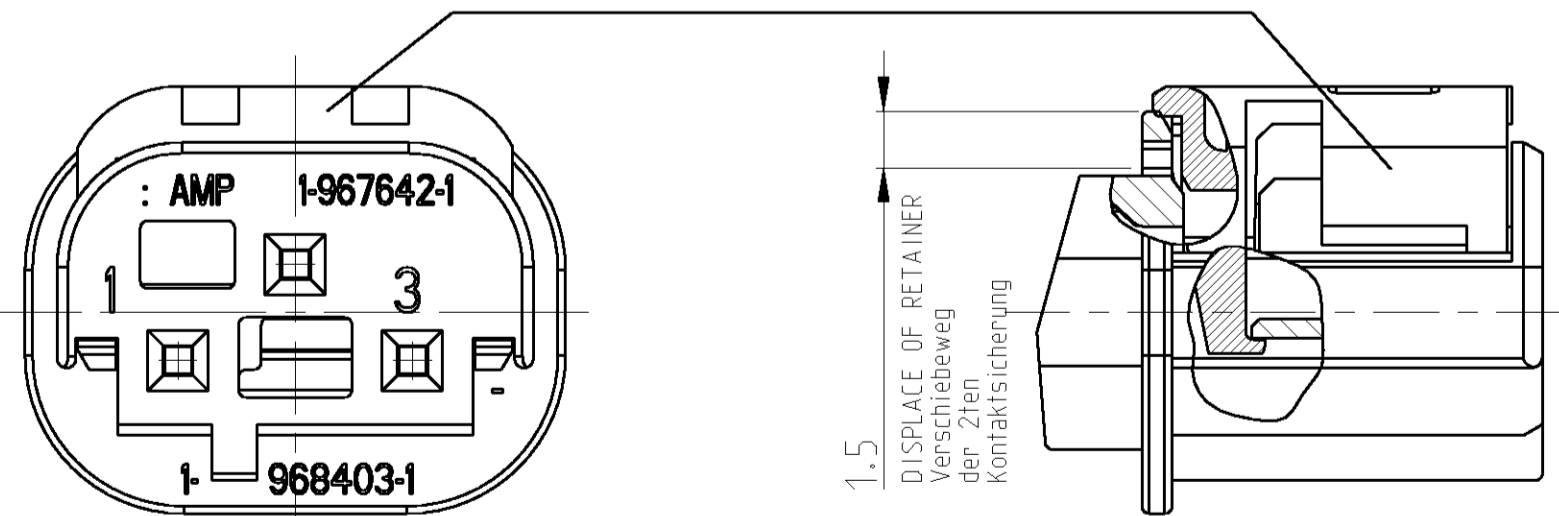


LOC	DIST	REV	DATE	BY	APPV
A1	-	E2	20SEP2002	PR	-
		F	27JAN2003	M.S.	-
		F1	20JUL2005	Schw	mcs

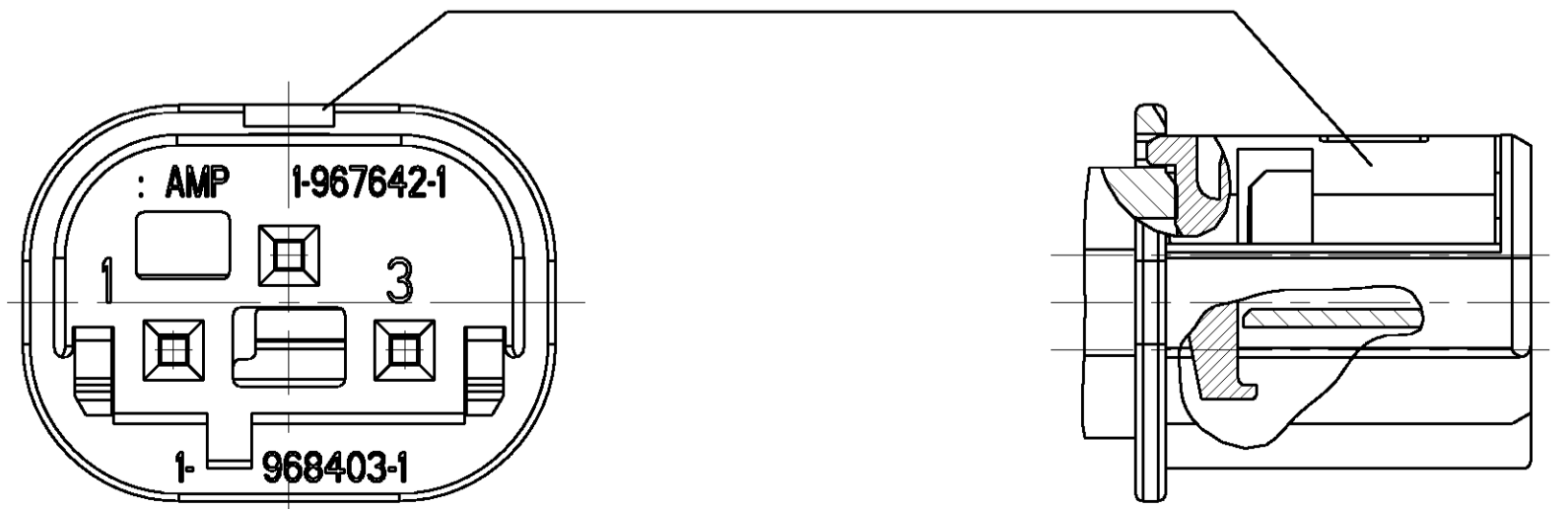


CONDITION ON DELIVERY LIEFERZUSTAND

2. RETAINER IN PRELOCKED POSITION Kontaktsicherung in Vorraststellung



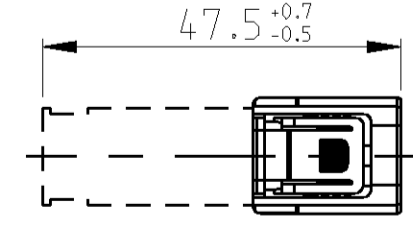
2. RETAINER IN ENDOCKED POSITION Kontaktsicherung in Endraststellung



NOTES: Bemerkungen:

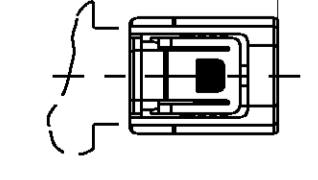
- ONLY THE GERMAN-LANGUAGE VERSION SHALL BE BINDING Maßgebend ist der deutsche Text
- SUITABLE FOR SOCKET CONTACT FOR SINGLE WIRE SEALING: Passend zu Buchsenkontakt für Einzelleiterabdichtung: AMP / TYCO 962885 (DGB 0.2 - 0.5 mm²), 965906 (DGB 0.75mm²)
- SHROUDED CONNECTION SEE DRAWING: KragenschluB siehe Zeichnung: 114-18063-123
- SUITABLE FOR WIRE SIZE RANGE: Passend für Leitungsquerschnitt: TO / bis 0.75 mm²

M. 1:1



CLUTCH Kupplung

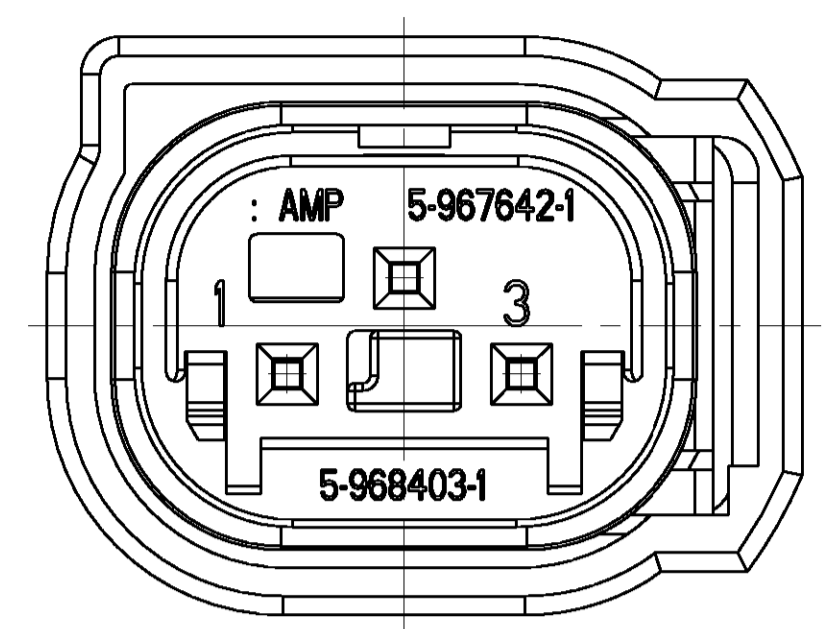
24.3+0.7/-0.5



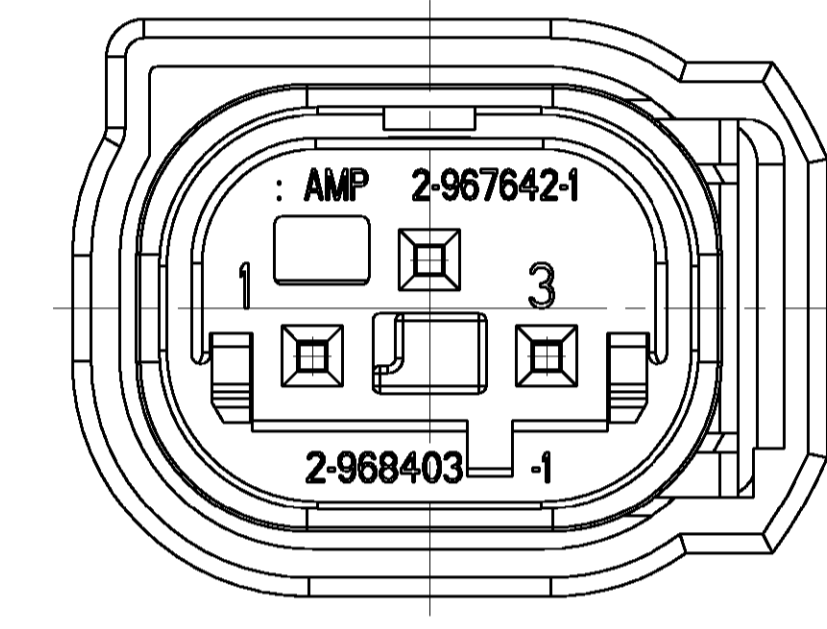
SHROUDED CONNECTION KragenschluB



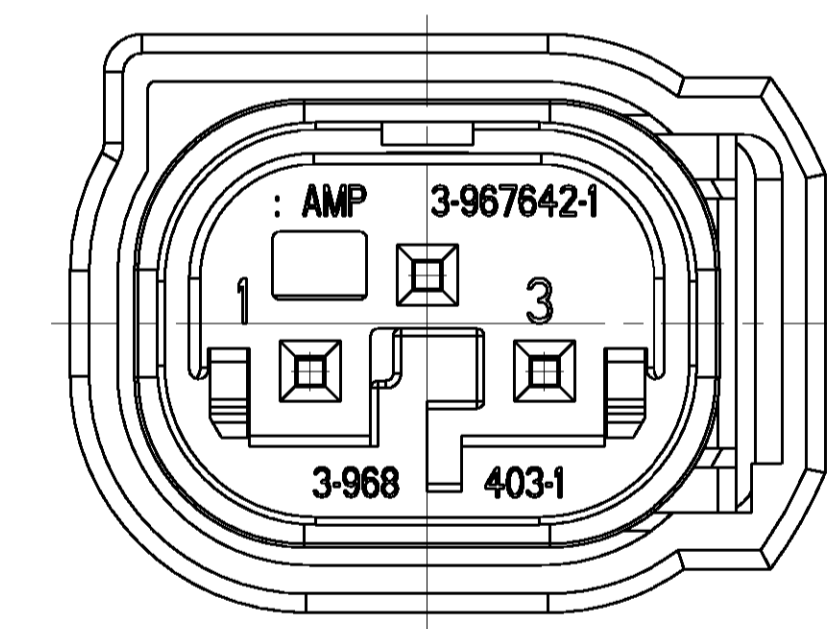
Coding E Kodierung E



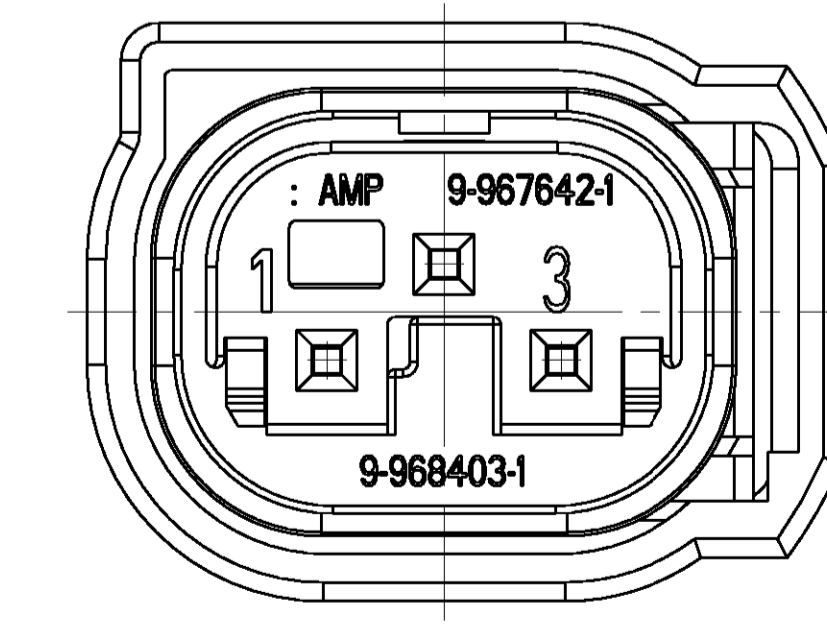
Coding B Kodierung B



CODING C Kodierung C



CODING Z Kodierung Z



CODING	ORDER NO.	REV	POS.	QTY.	DESCRIPTION	MATERIAL	COLOUR
Z	9-967642-1		4	1	PROTECTIVE COVER	PBT-GF 10	BLACK
			3	1	SEALING	MVQ30	WHITE
			2	1	RETAINER	PBT-GF 15	GREEN
			1	1	SOCKET HOUSING	PBT-GF 15	WATER BLUE
E	5-967642-1	C	4	1	PROTECTIVE COVER	PBT-GF 10	BLACK
			3	1	SEALING	MVQ30	WHITE
			2	1	RETAINER	PBT-GF 15	GREEN
			1	1	SOCKET HOUSING	PBT-GF 15	BROWN
C	3-9637642-1		4	1	PROTECTIVE COVER	PBT-GF 10	BLACK
			3	1	SEALING	MVQ30	WHITE
			2	1	RETAINER	PBT-GF 15	GREEN
			1	1	SOCKET HOUSING	PBT-GF 15	BLUE
B	2-967642-2	B	4	1	PROTECTIVE COVER	PBT-GF 10	GREY
			3	1	SEALING	MVQ30	WHITE
			2	1	RETAINER	PBT-GF 15	GREEN
			1	1	SOCKET HOUSING	PBT-GF 15	GREY
B	2-967642-1	F	4	1	PROTECTIVE COVER	PBT-GF 10	BLACK
			3	1	SEALING	MVQ30	WHITE
			2	1	RETAINER	PBT-GF 15	GREEN
			1	1	SOCKET HOUSING	PBT-GF 15	GREY
A	1-967642-1	F	4	1	PROTECTIVE COVER	PBT-GF 10	BLACK
			3	1	SEALING	MVQ30	WHITE
			2	1	RETAINER	PBT-GF 15	GREEN
			1	1	SOCKET HOUSING	PBT-GF 15	BLACK

<p>TYCO ELECTRONICS CORPORATION</p> <p>TYCO ELECTRONICS GERMANY</p> <p>TYCO ELECTRONICS AUSTRIA</p> <p>TYCO ELECTRONICS CANADA</p> <p>TYCO ELECTRONICS CHINA</p> <p>TYCO ELECTRONICS DENMARK</p> <p>TYCO ELECTRONICS FINLAND</p> <p>TYCO ELECTRONICS FRANCE</p> <p>TYCO ELECTRONICS GERMANY</p> <p>TYCO ELECTRONICS HONG KONG</p> <p>TYCO ELECTRONICS INDIA</p> <p>TYCO ELECTRONICS ITALY</p> <p>TYCO ELECTRONICS JAPAN</p> <p>TYCO ELECTRONICS KOREA</p> <p>TYCO ELECTRONICS MEXICO</p> <p>TYCO ELECTRONICS NETHERLANDS</p> <p>TYCO ELECTRONICS POLAND</p> <p>TYCO ELECTRONICS PORTUGAL</p> <p>TYCO ELECTRONICS RUSSIA</p> <p>TYCO ELECTRONICS SINGAPORE</p> <p>TYCO ELECTRONICS SWITZERLAND</p> <p>TYCO ELECTRONICS TAIWAN</p> <p>TYCO ELECTRONICS THAILAND</p> <p>TYCO ELECTRONICS U.K.</p> <p>TYCO ELECTRONICS U.S.A.</p> <p>TYCO ELECTRONICS VIETNAM</p>	<p>DATE: 20SEP2002</p> <p>REV: 220C T2002</p> <p>BY: M. Schwäger</p> <p>APPV: -</p> <p>PRODUCT SPEC: 100-18272-0</p> <p>APPLICATION SPEC: 14-10051</p> <p>WEIGHT: -</p> <p>REVISIONS: -</p>	<p>TYCO Electronics AMP GmbH</p> <p>D - 64625 Bensheim</p> <p>NAME: MQS: SOCKET HOUSING, SWS, 3POS.; ASS'Y</p> <p>SIZE: 100-18272-0</p> <p>DRAWING NO: 100-18272-0</p> <p>SCALE: 5:1</p> <p>REV: F1</p>
---	---	---