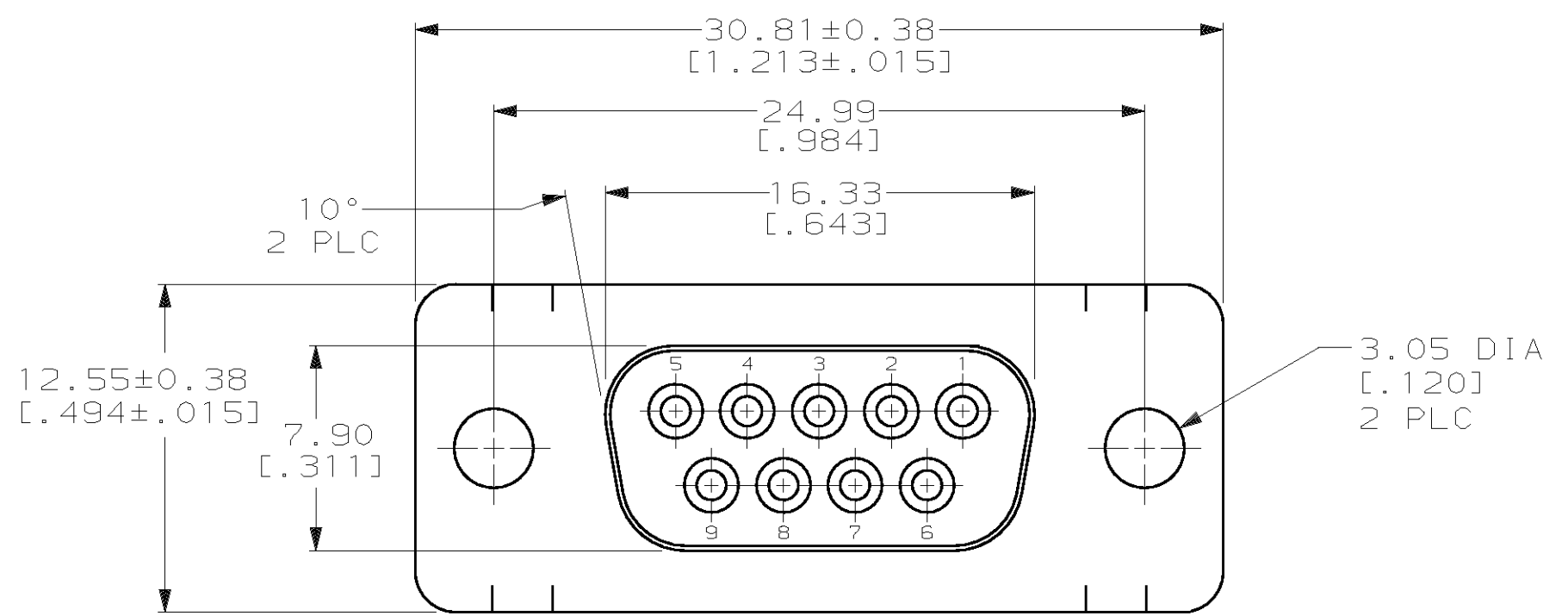
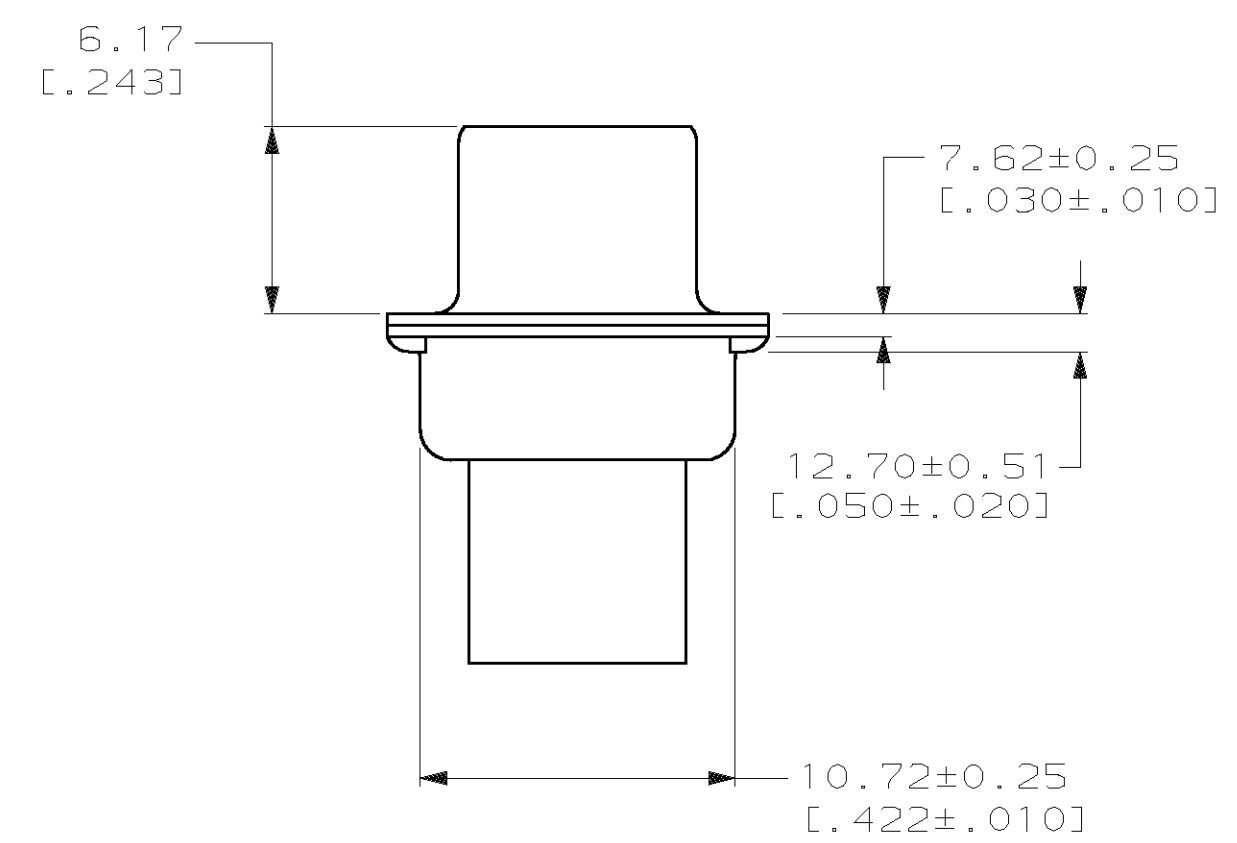
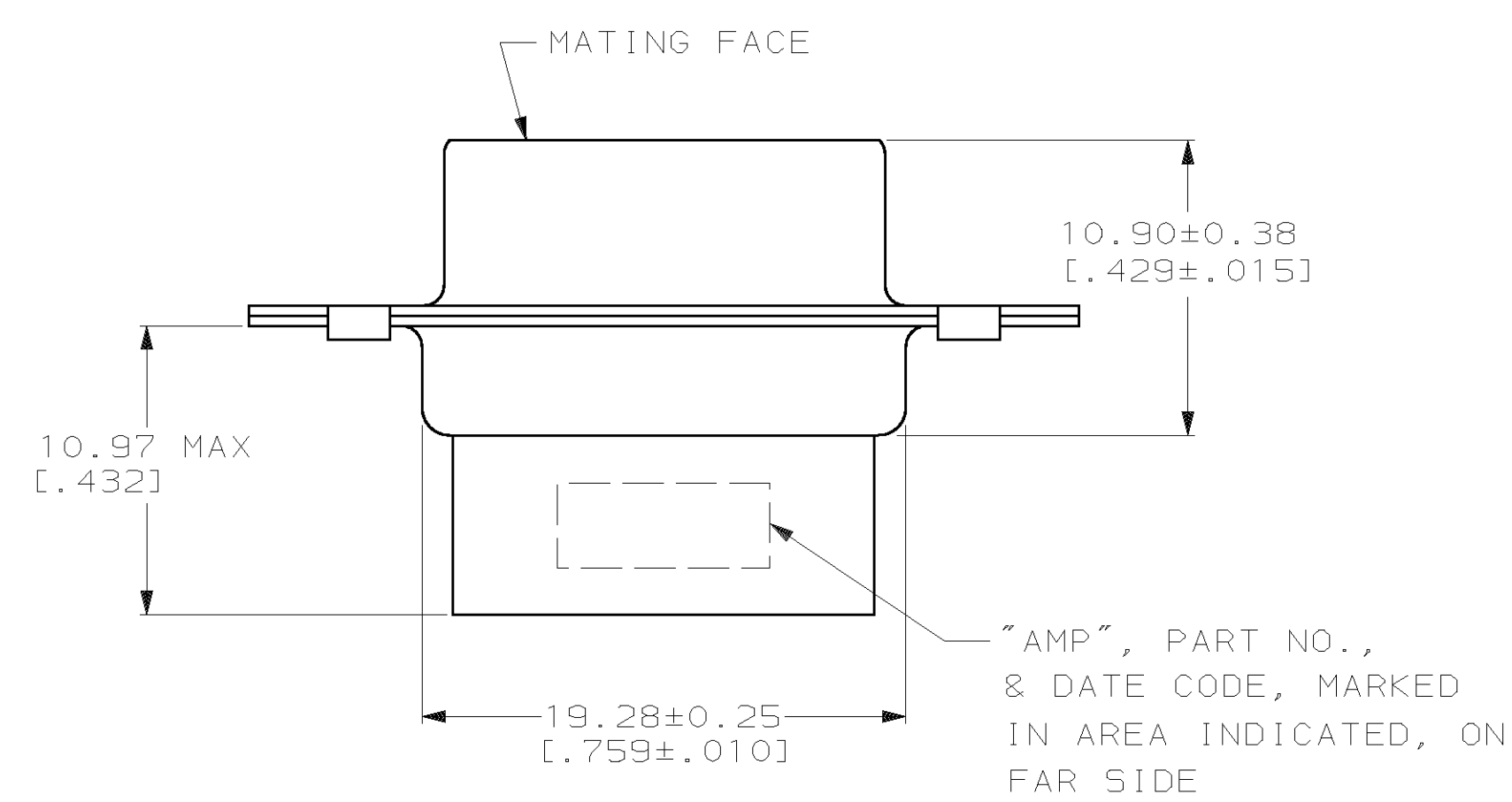


THIS DRAWING IS UNPUBLISHED. RELEASED FOR PUBLICATION
 (C) COPYRIGHT 19 BY AMP INCORPORATED. ALL RIGHTS RESERVED.

LOC	DIST	REVISIONS			
P	LTR	DESCRIPTION	DATE	DWN	APVD
GP	00				
	H	OBS -7 & REDRAWN ON CAD PER EC 0420-143-96	29 OCT 97	T5	SB
	J	REV PER EC OUE0-0002-01	09 JAN 02	JR	JG



- CONNECTOR ACCEPTS SIZE 20 DF SOCKET CONTACTS, RETENTION TINES ARE AN INTEGRAL PART OF INSERT.
- CONNECTOR COMPLIES WITH 108-40005 WHERE APPLICABLE.
- NYLON, FLAME RETARDANT, 94V-0 RATED, GLASS FILLED, BLACK.
- STEEL PER ASTM A109.
- ZINC PLATED PER ASTM B633; TYPE II; CLASS SC1; YELLOW CHROMATE.
- TIN PLATED PER MIL-T-10727 OVER COPPER PER MIL-C-14550.
- CHROME PLATED.



OBSOLETE	SMALL PACK	5	205203-6
	STANDARD	6	205203-3
	STANDARD	5	205203-1
	PACKAGING TYPE	SHELL FINISH	PART NO

THIS DRAWING IS A CONTROLLED DOCUMENT.		DWN	S. WELDON	7-19-85	AMP AMP Incorporated Harrisburg, PA 17105-3608
DIMENSIONS:		CHK	J. GERACE	7-29-85	
mm [INCHES]		APVD	V. KUMAR	7-31-85	
TOLERANCES UNLESS OTHERWISE SPECIFIED:		NAME			
0 PLC ±-		PRODUCT SPEC			RCPT CONNECTOR, SIZE 1, 9 POSN, AMPLIMITE™, HDP
1 PLC ±-		APPLICATION SPEC			
2 PLC ±0.13 [0.005]		WEIGHT			SIZE
3 PLC ±-		CUSTOMER DRAWING			CAGE CODE
4 PLC ±-		SCALE			DRAWING NO
ANGLES		SCALE 4:1			RESTRICTED TO
FINISH		SHEET 1 OF 1			REV
MATERIAL		REV J			
MOLDED PARTS: 3					
SHELLS: 4					

205203