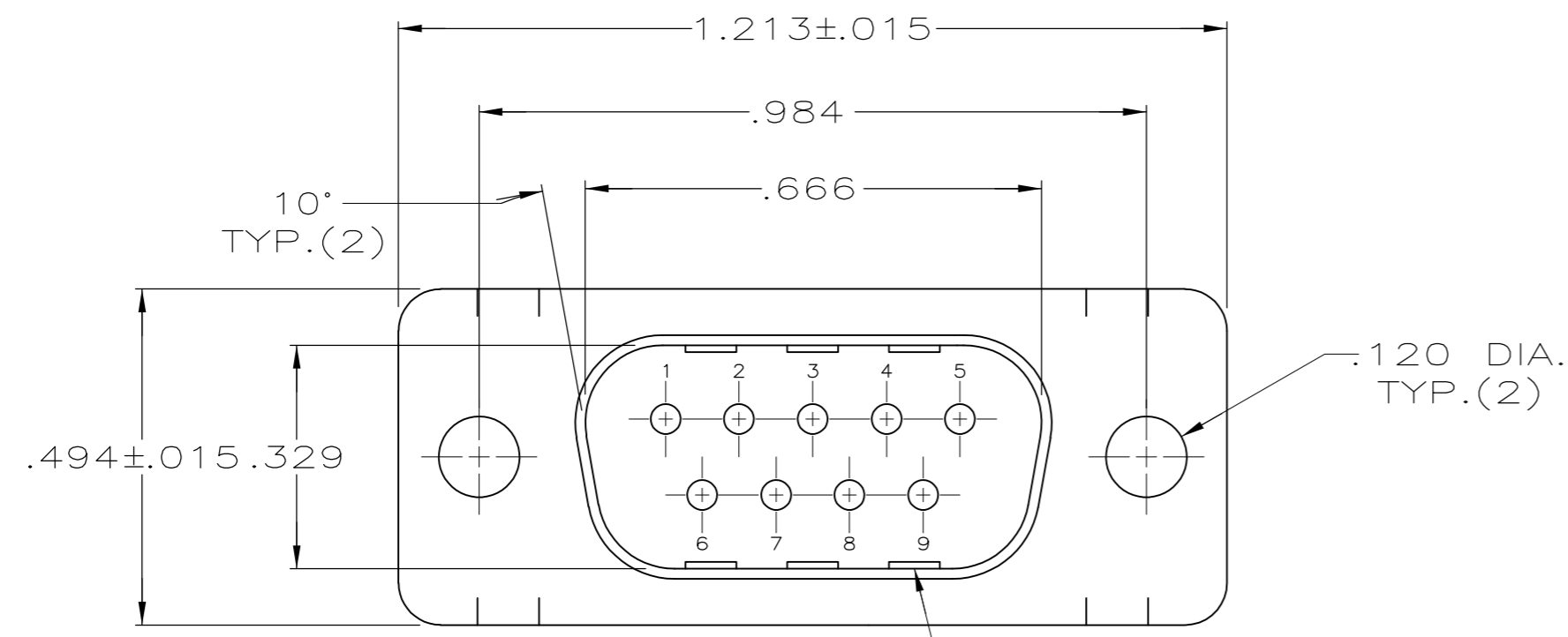
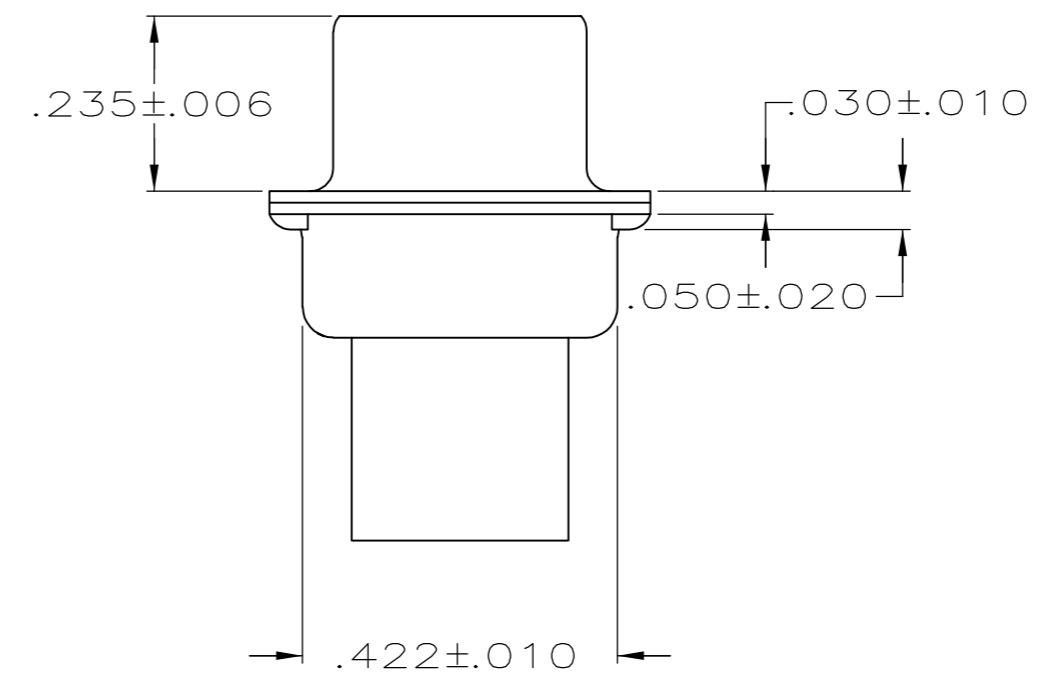
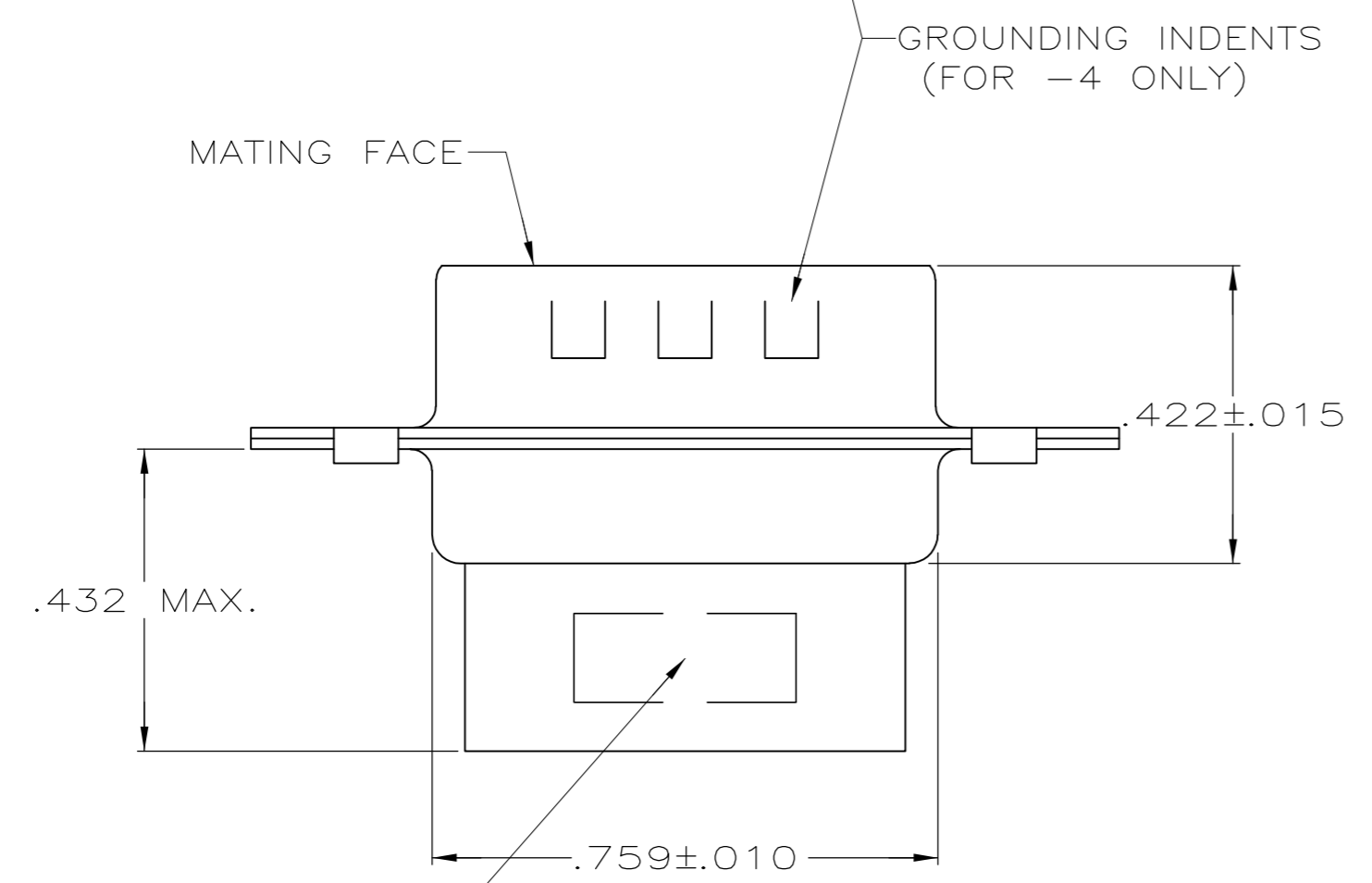


THIS DRAWING IS UNPUBLISHED. RELEASED FOR PUBLICATION  
 © COPYRIGHT BY TYCO ELECTRONICS CORPORATION. ALL RIGHTS RESERVED.

LOC	DIST	REVISIONS					
GP	00	P	LTR	DESCRIPTION	DATE	DWN	APVD
			K1	REVISED PER ECO-07-008164	27JUL07	JDP	CWR
			K2	REVISED PER ECO-09-021826	11JAN10	KK	AEG



- CONNECTOR ACCEPTS SIZE 20 DF PIN CONTACTS, RETENTION TINES ARE AN INTEGRAL PART OF INSERT.
- CONNECTOR COMPLIES WITH 108-40005 WHERE APPLICABLE.
- MOLDED PARTS: NYLON, FLAME RETARDANT, 94V-0 RATED, GLASS FILLED, BLACK.
- SHELLS: STEEL PER ASTM A109.
- ZINC PLATED PER ASTM B633; TYPE II; CLASS SC1; YELLOW CHROMATE.
- TIN OR TIN-LEAD PLATED OVER COPPER UNDERPLATE.
- CHROME PLATED.
- TIN PLATED OVER COPPER UNDERPLATE.
- ZINC PLATED .000200-.000400 THICK, YELLOW TRIVALENT CHROMIUM CHROMATE COATING.
- OBsolete PARTS: OBSOLETE CIS STREAMLINING PER D.RENAUD/D.SINISI



"AMP", PART NO. & DATE CODE, MARKED IN AREA INDICATED, ON FAR SIDE

OBsolete	PACKAGING TYPE	SHELL FINISH	GROUNDING INDENTS	PART NUMBER
10	SMALL PACK	9	NO	4-205204-0
	STANDARD	9	NO	205204-9
	STANDARD	8	NO	205204-8
SUPERSEDED BY 205204-9	SMALL PACK	5	NO	205204-7
	STANDARD	8	YES	205204-4
SUPERSEDED BY 205204-8	STANDARD	6	NO	205204-3
OBsolete	STANDARD	7	NO	205204-2
SUPERSEDED BY 205204-9	STANDARD	5	NO	205204-1

THIS DRAWING IS A CONTROLLED DOCUMENT.		DWN S. WELDON 07/19/85	Tyco Electronics Corporation Harrisburg, PA 17105-3608	
DIMENSIONS: INCHES		CHK J. GERACE 07/29/85	NAME	
TOLERANCES UNLESS OTHERWISE SPECIFIED:		APVD	PRODUCT SPEC	
0 PLC ± -		APVD	APPLICATION SPEC	
1 PLC ± -		WEIGHT	SIZE CAGE CODE DRAWING NO RESTRICTED TO	
2 PLC ± -		WEIGHT	A2 00779 C=205204	
3 PLC ± .005		WEIGHT	SCALE NTS SHEET 1 of 1 REV K2	
4 PLC ± -		WEIGHT		
ANGLES ± -		WEIGHT		
FINISH		WEIGHT		
SHELLS: SEE TABLE		WEIGHT		
MATERIAL SEE NOTES		WEIGHT		
		WEIGHT		