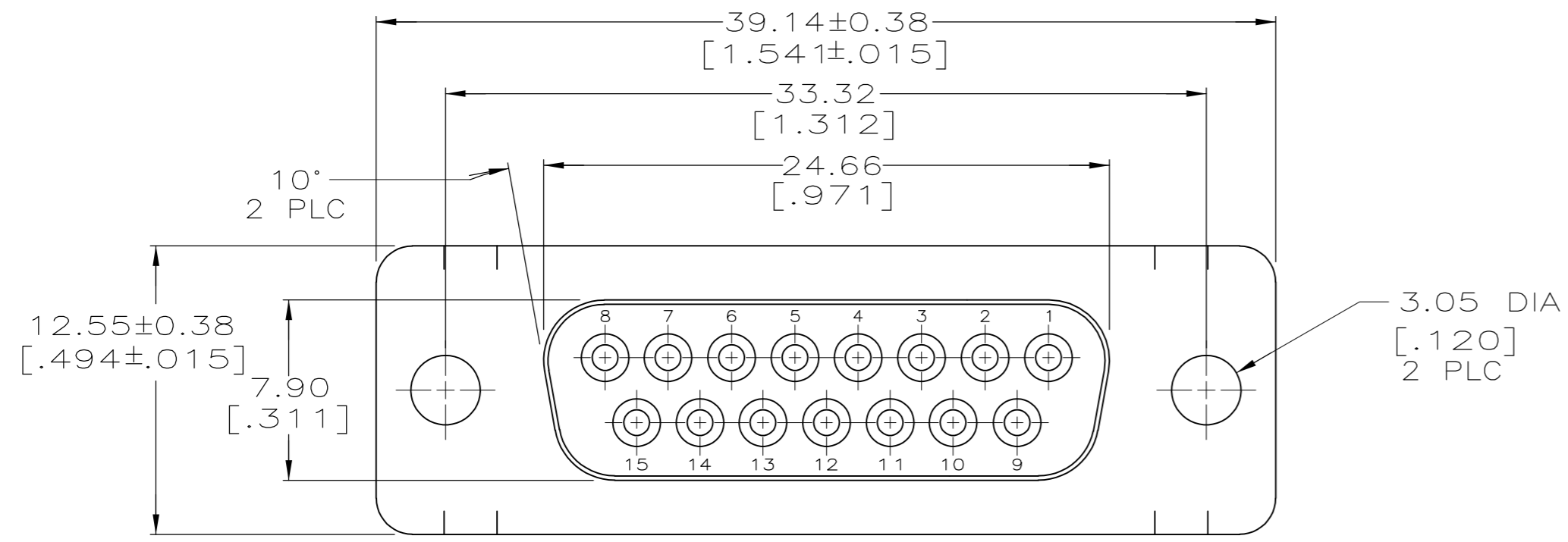
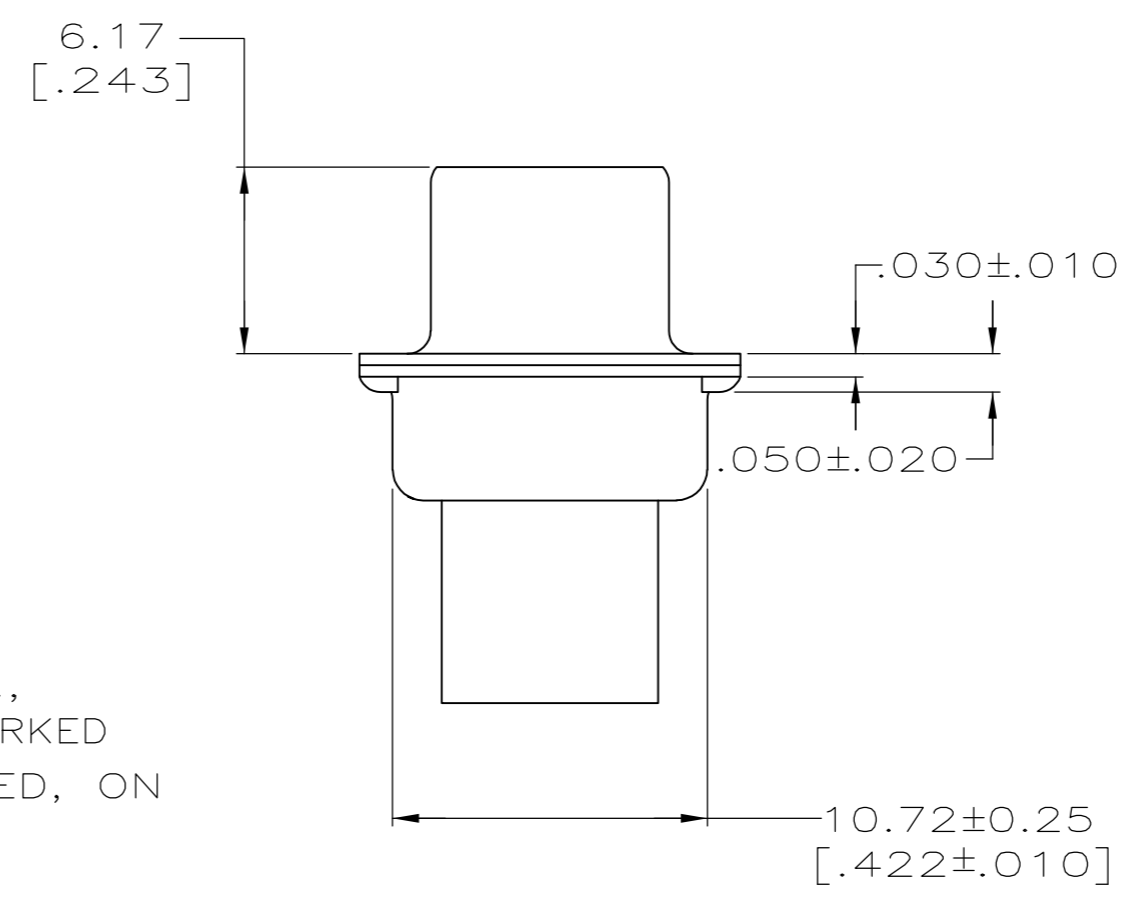
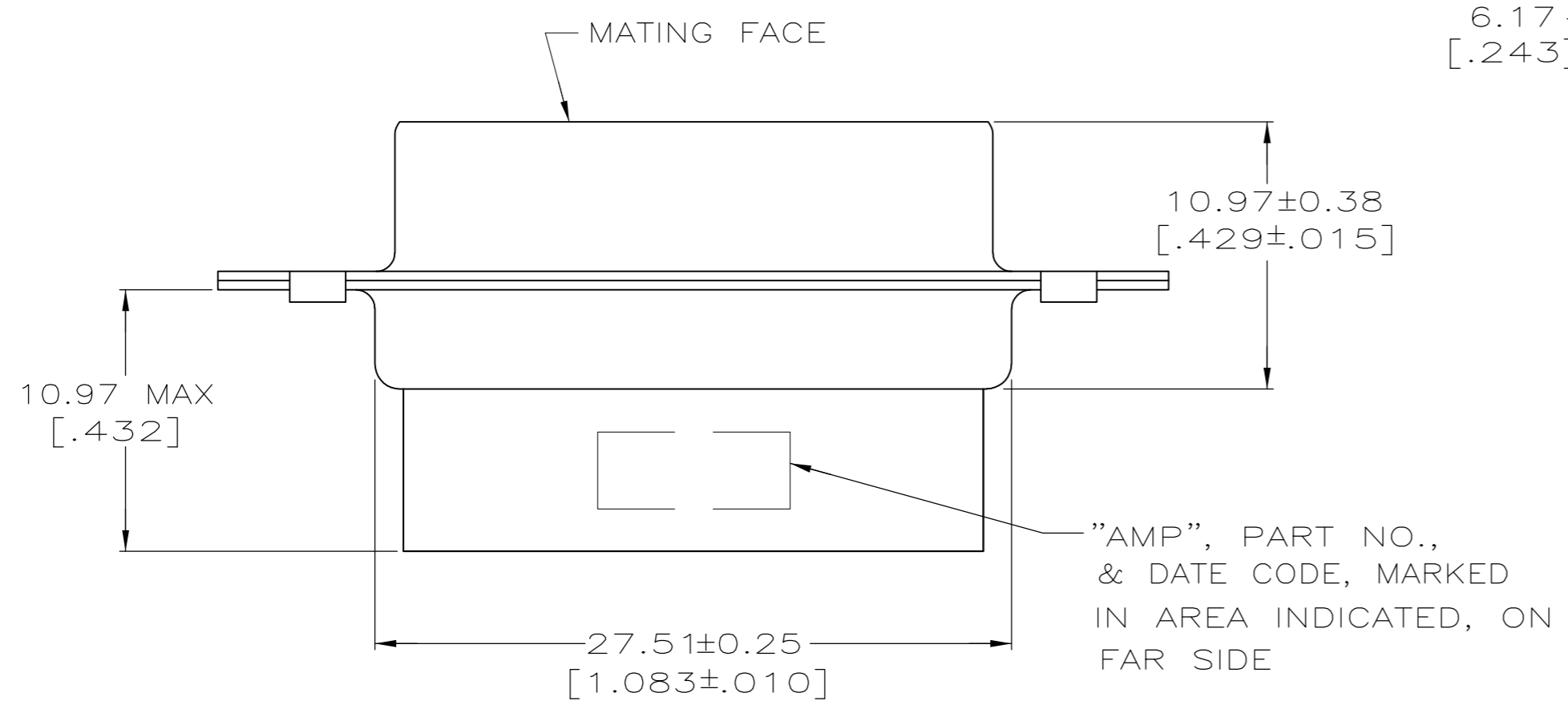


THIS DRAWING IS UNPUBLISHED. RELEASED FOR PUBLICATION  
 © COPYRIGHT BY TYCO ELECTRONICS CORPORATION. ALL RIGHTS RESERVED.

LOC	DIST	REVISIONS			
P	LTR	DESCRIPTION	DATE	DWN	APVD
GP	00				
	J1	REVISED PER ECO-07-008164	27JUL07	JDP	CWR



- CONNECTOR ACCEPTS SIZE 20 DF SOCKET CONTACTS, RETENTION TINES ARE AN INTEGRAL PART OF INSERT.
- CONNECTOR COMPLIES WITH 108-40005 WHERE APPLICABLE.
- MOLDED PARTS: NYLON, FLAME RETARDANT, 94V-0 RATED, GLASS FILLED, BLACK.
- SHELLS: STEEL PER ASTM A109.
- ZINC PLATED PER ASTM B633; TYPE II; CLASS SC1; YELLOW CHROMATE.
- TIN PLATED PER MIL-T-10727 OVER COPPER PER MIL-C-14550.
- ZINC PLATED .000200-.000400 THICK, YELLOW TRIVALENT CHROMIUM CHROMATE COATING.



PACKAGING TYPE	SHELL FINISH	PART NO
STANDARD	7	205205-7
SMALL PACK	5	205205-5
STANDARD	6	205205-2
STANDARD	5	205205-1

SUPERSEDED BY 205205-1

OBSOLETE

THIS DRAWING IS A CONTROLLED DOCUMENT.		DWN	7-19-85	Tyco Electronics Corporation Harrisburg, PA 17105-3608
DIMENSIONS: INCHES		CHK	7-29-85	
TOLERANCES UNLESS OTHERWISE SPECIFIED:		APVD	7-31-85	
0 PLC ± - 1 PLC ± - 2 PLC ± 0.13 [.005] 3 PLC ± - 4 PLC ± - ANGLES ± 2°		NAME	V. KUMAR	
MATERIAL SEE NOTES		FINISH	SHELLS: SEE TABLE	RCPT CONNECTOR, SIZE 2, 15 POSN, AMPLIMITE, HDR <sup>TM</sup>
CUSTOMER DRAWING		WEIGHT	-	SIZE A2 CAGE CODE 00779 C=205205 SCALE 4:1 SHEET 1 of 1 REV J1