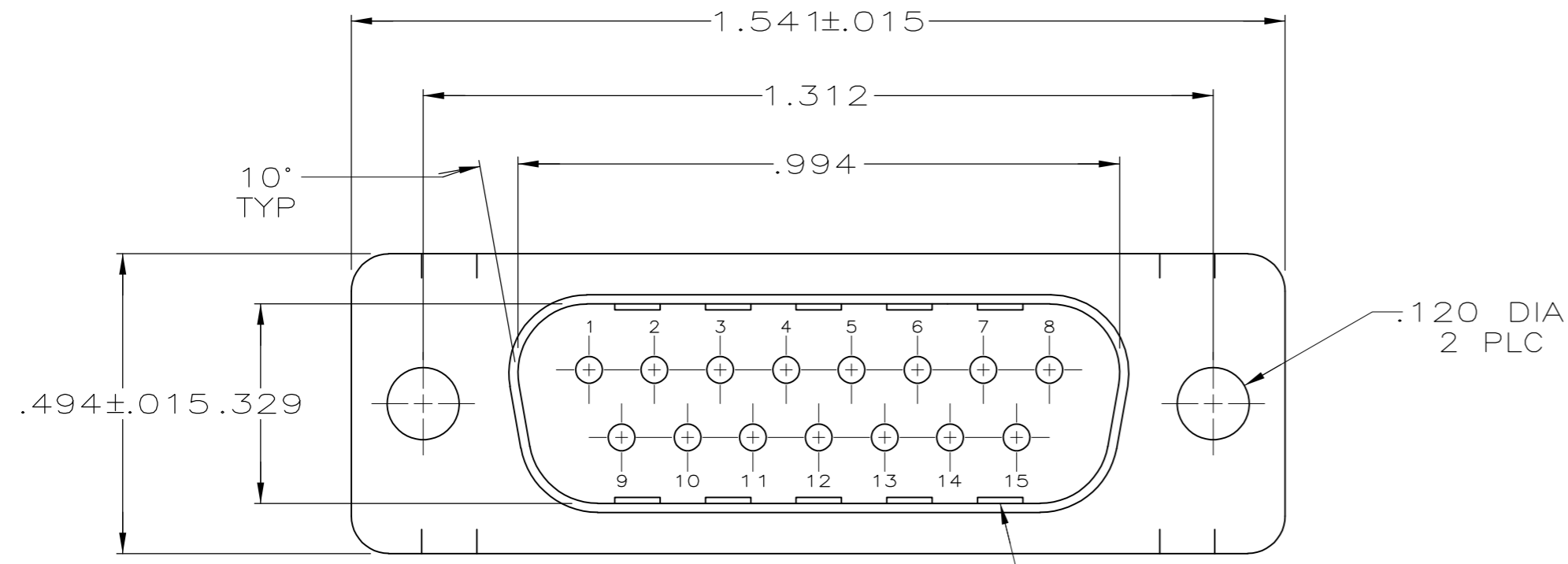
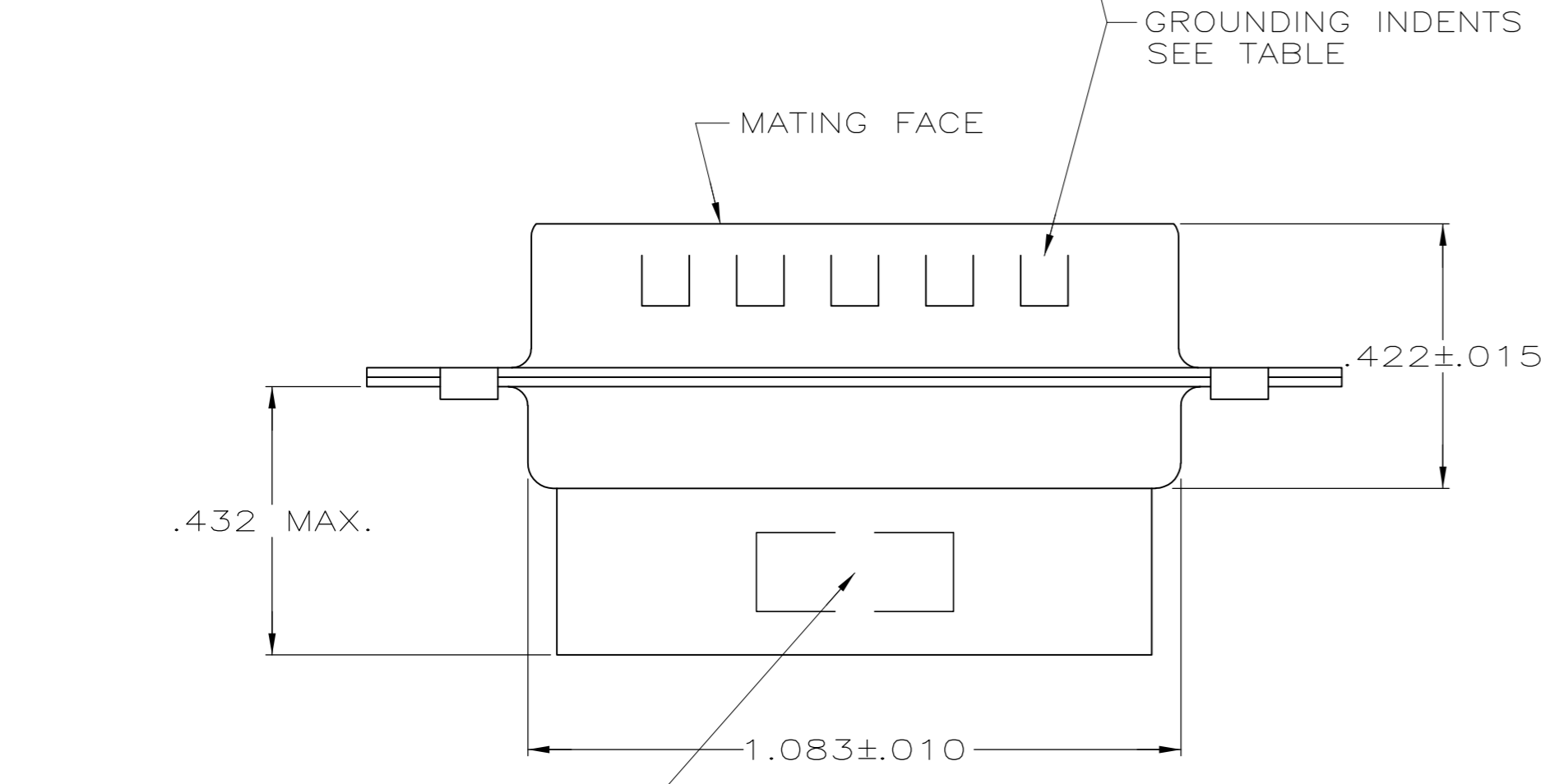


THIS DRAWING IS UNPUBLISHED. RELEASED FOR PUBLICATION  
 © COPYRIGHT BY TYCO ELECTRONICS CORPORATION. ALL RIGHTS RESERVED.

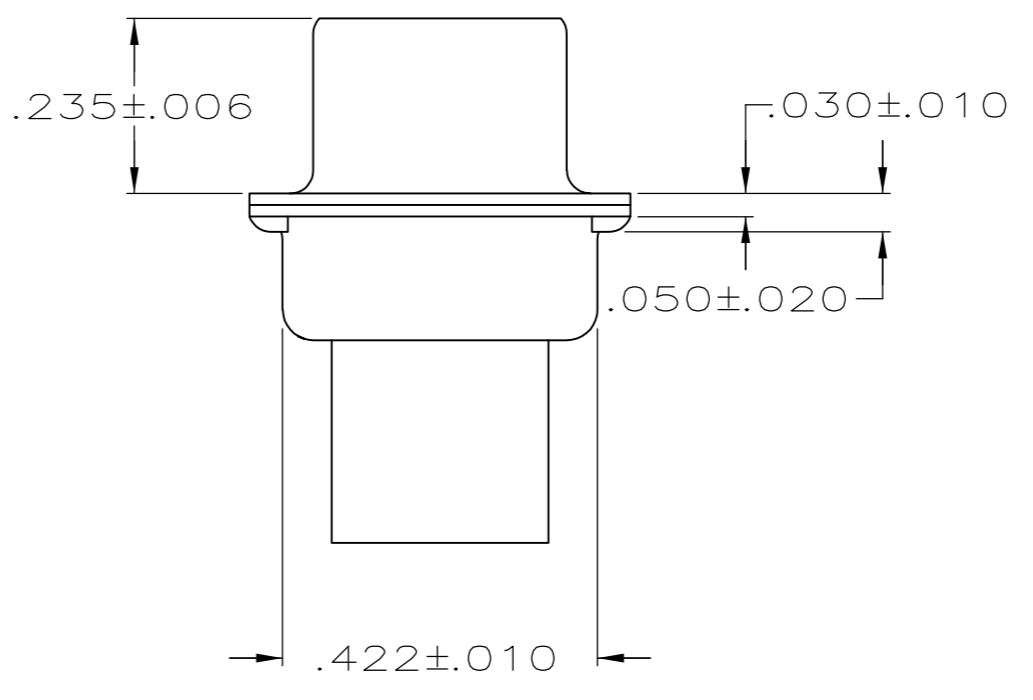
LOC	DIST	REVISIONS			
P	LTR	DESCRIPTION	DATE	DWN	APVD
GP	00				
	K2	REVISED PER ECO-07-008164	27JUL07	JDP	CWR



- CONNECTOR ACCEPTS SIZE 20 DF PIN CONTACTS, RETENTION TINES ARE AN INTEGRAL PART OF INSERT.
  - CONNECTOR COMPLIES WITH 108-40005 WHERE APPLICABLE.
- ③ NYLON, FLAME RETARDANT, 94V-0 RATED, GLASS FILLED, BLACK.
  - ④ STEEL PER ASTM A109.
  - ⑤ ZINC PLATED PER ASTM B633; TYPE II; CLASS SC1; YELLOW CHROMATE.
  - ⑥ TIN OR TIN-LEAD PLATED OVER COPPER UNDERPLATE.
  - ⑦ TIN PLATED OVER COPPER UNDERPLATE.
  - ⑧ ZINC PLATED .000200-.000400 THICK, YELLOW TRIVALENT CHROMIUM CHROMATE COATING.



"AMP", PART NO. & DATE CODE, MARKED IN AREA INDICATED, ON FAR SIDE



OBSOLETE	PACKAGING TYPE	SHELL FINISH	GROUNDING INDENTS	PART NUMBER
	STANDARD	⑧	NO	205206-9
	STANDARD	⑦	NO	205206-8
OBSOLETE	SMALL PACK	⑤	NO	205206-6
	STANDARD	⑦	YES	205206-3
OBSOLETE	STANDARD	⑥	NO	205206-2
OBSOLETE	STANDARD	⑤	NO	205206-1

THIS DRAWING IS A CONTROLLED DOCUMENT.		DWN	7-19-85	Tyco Electronics Corporation Harrisburg, PA 17105-3608	
DIMENSIONS: INCHES		CHK	7-29-85	NAME	
TOLERANCES UNLESS OTHERWISE SPECIFIED:		APVD	7-31-85	PLUG CONNECTOR, SIZE 2, 15 POSITION, AMPLIMITE HDP	
0 PLC ± -		PRODUCT SPEC		SIZE	CAGE CODE
1 PLC ± -		APPLICATION SPEC		A2	00779
2 PLC ± -				SCALE	DRAWING NO
3 PLC ± .005				NTS	C=205206
4 PLC ± -				SHEET	1 of 1
ANGLES ± 2°				REV	K2
FINISH		WEIGHT	-	CUSTOMER DRAWING	
MATERIAL					
MOLDED PARTS: ③		SHELLS: SEE TABLE			
SHELLS: ④					