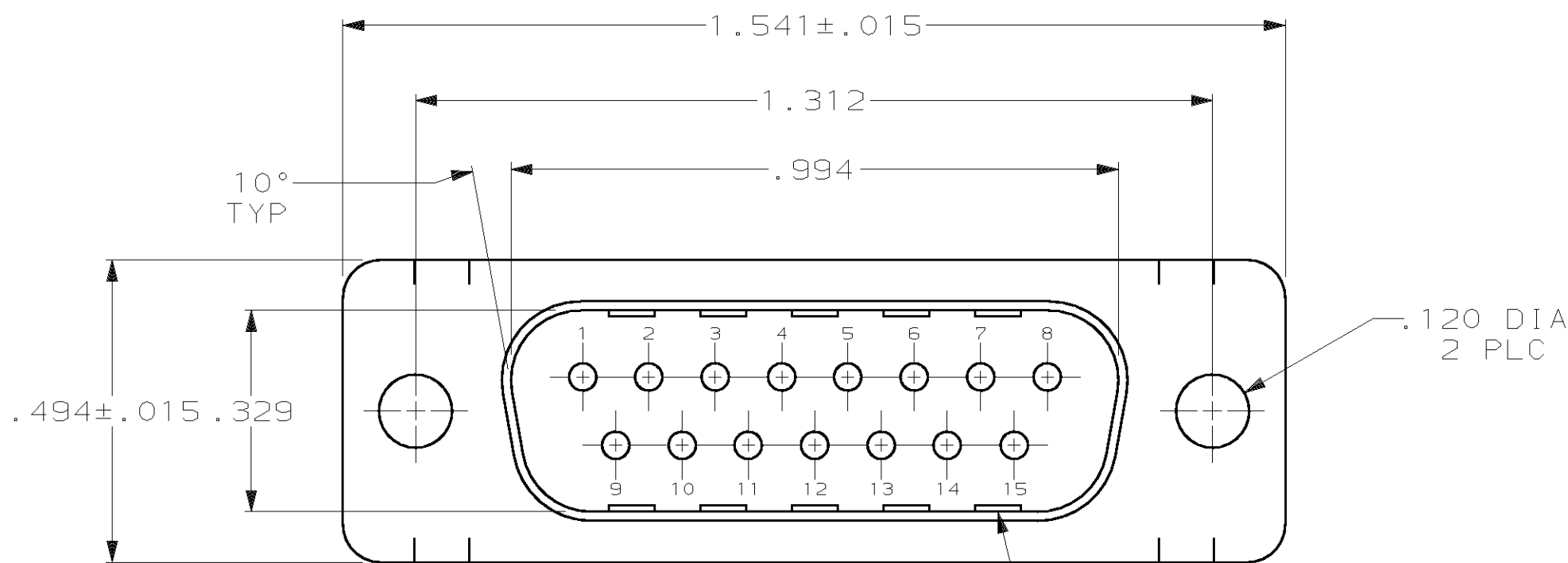
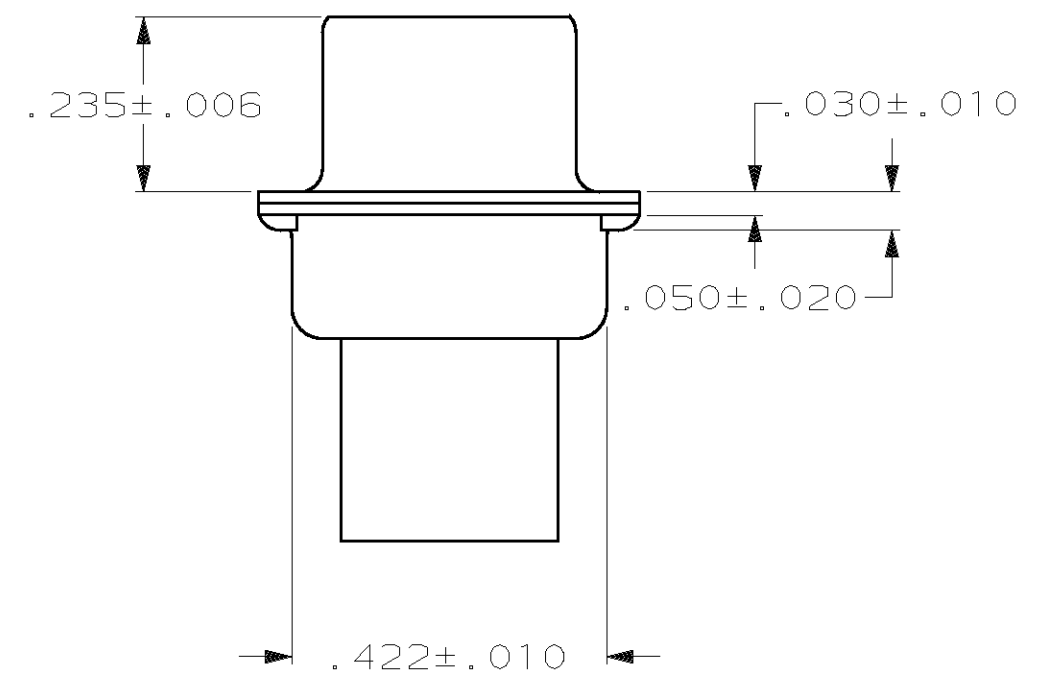
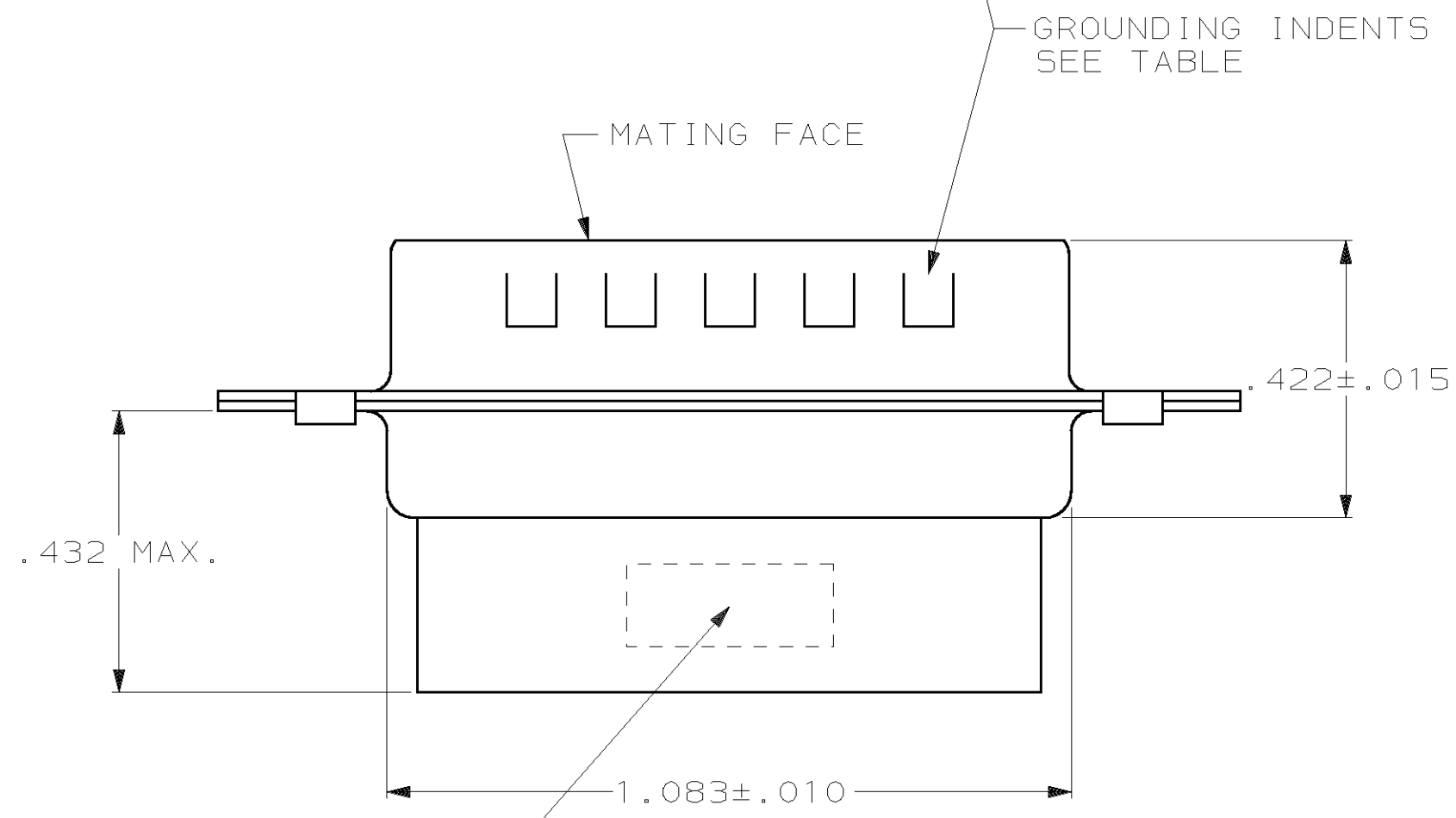


LOC	DIST	P	F	ZONE	LTR	DESCRIPTION	DATE	APPD
GP	00							
				E3		REV. & REDRAWN ECN-1119	7-18-85	SW
				F		REVISED PER ECN BD6802	12/03/92	RM
				F1		ADDED -6 PER NPR 4837	06/14/93	SB
				G		OBS -7 PER EC 0420-143-96	29 OCT 97	SB
				H		REV PER EC OUE0-0002-01	09 JAN 02	JR
				J		REV PER EC 0513-0196-03	29 JUL 03	JR



- CONNECTOR ACCEPTS SIZE 20 DF PIN CONTACTS, RETENTION TINES ARE AN INTEGRAL PART OF INSERT.
- CONNECTOR COMPLIES WITH 108-40005 WHERE APPLICABLE.
- NYLON, FLAME RETARDANT, 94V-0 RATED, GLASS FILLED, BLACK.
- STEEL PER ASTM A109.
- ZINC PLATED PER ASTM B633; TYPE II; CLASS SC1; YELLOW CHROMATE.
- TIN OR TIN-LEAD PLATED OVER COPPER UNDERPLATE.
- TIN PLATED OVER COPPER UNDERPLATE.



"AMP", PART NO. & DATE CODE, MARKED IN AREA INDICATED, ON FAR SIDE

	PACKAGING TYPE	SHELL FINISH	GROUNDING INDENTS	PART NO
STANDARD		?	NO	205206-8
SMALL PACK		5	NO	205206-6
STANDARD		?	YES	205206-3
STANDARD		6	NO	205206-2
STANDARD		5	NO	205206-1

DO NOT SCALE PRINT. UNLESS SPECIFIED DIMENSIONS IN INCHES TOLERANCES ON : 2 PLC DEC ± - 3 PLC DEC ± .005 ANGLES ± 2°		DR 7-19-85 S.WELDON CHK 7-29-85 J.GERACE APPD 7-29-85 L.BREKOSKY APPD 7-31-85 V.KUMAR		AMP Incorporated Harrisburg, PA 17105-3608 NAME PLUG CONNECTOR, SIZE 2, 15 POSITION, AMPLIMITE™ HDP	
MATERIAL MOLDED PARTS: 3 SHELLS: 4		PRODUCT SPEC -			
FINISH SHELLS: SEE TABLE		APPLICATION SPEC -		SIZE C	CAGE CODE 00779
		WEIGHT -		DRAWING NO C=205206	
				SCALE NTS	SHEET 1 OF 1

THIS DRAWING IS A CONTROLLED DOCUMENT FOR AMP INCORPORATED. IT IS SUBJECT TO CHANGE AND THE CONTROLLING ENGINEERING ORGANIZATION SHOULD BE CONTACTED FOR THE LATEST REVISION.