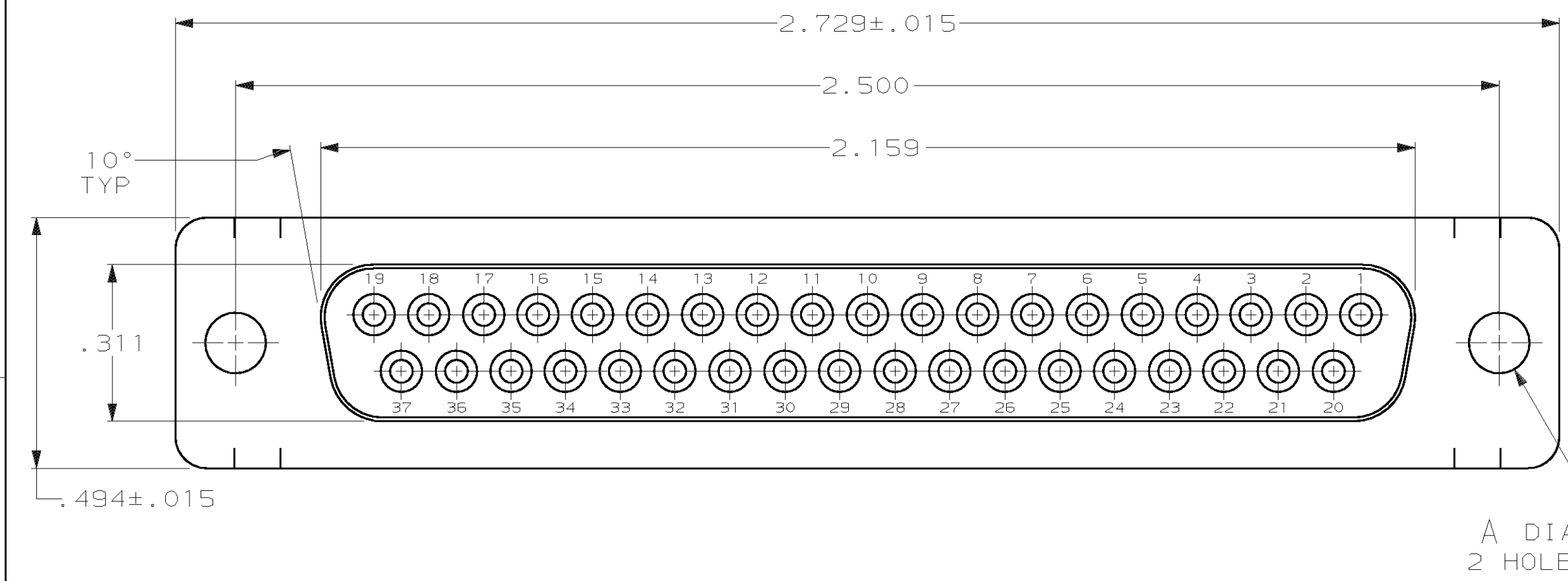
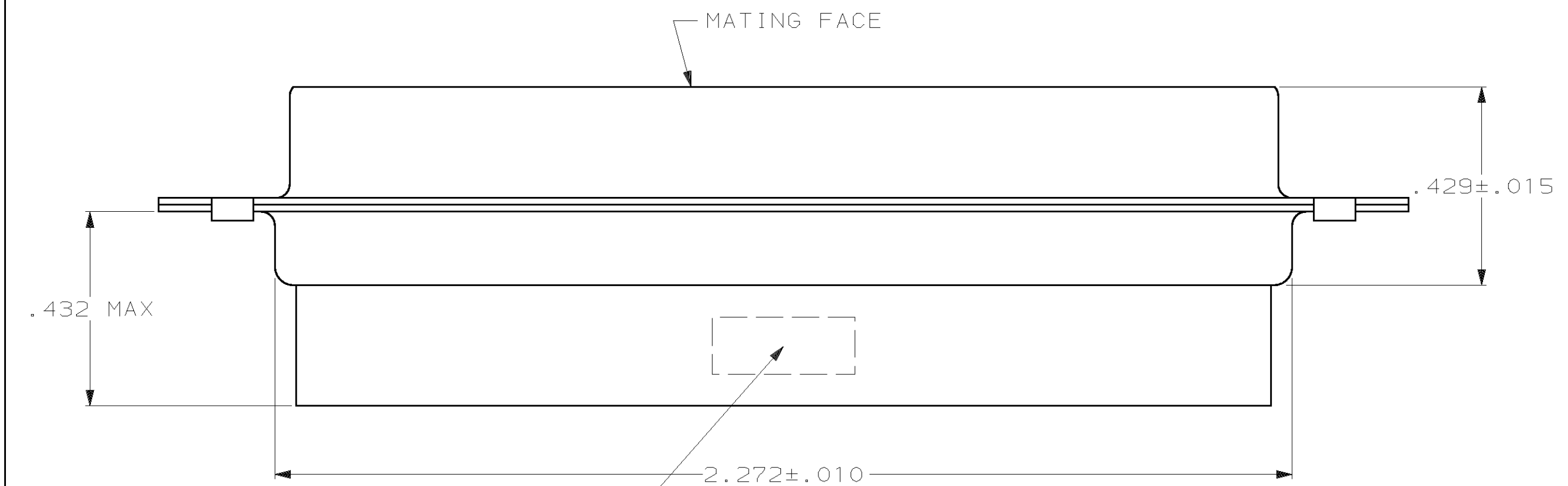


THIS DRAWING IS UNPUBLISHED. RELEASED FOR PUBLICATION, 19 .  
 © COPYRIGHT 19 BY AMP INCORPORATED. ALL INTERNATIONAL RIGHTS RESERVED.

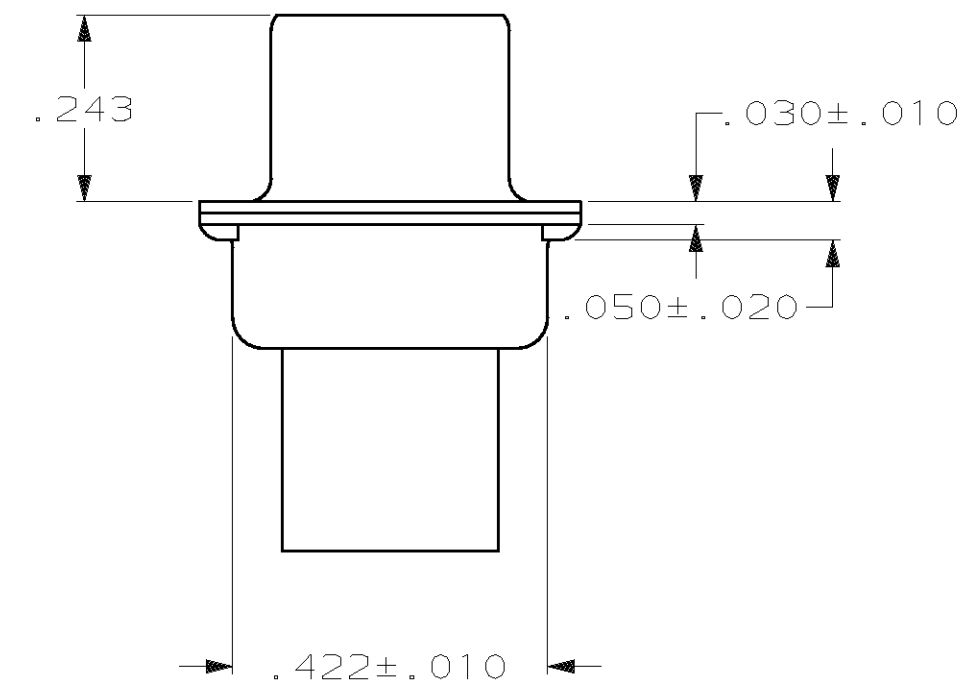
LOC		D15T		REVISIONS				DATE	APPD
BD	48	P	F	ZONE	LTR	DESCRIPTION	12 SEP 01	JR	
					J	REV PER EC 0U1D-0260-00			



A DIA  
2 HOLES



"AMP", PART NO. & DATE CODE, MARKED IN AREA INDICATED, ON FAR SIDE



- CONNECTOR ACCEPTS SIZE 20 DF SOCKET CONTACTS, RETENTION TINES ARE AN INTEGRAL PART OF INSERT.
- CONNECTOR COMPLIES WITH 108-40005 WHERE APPLICABLE.
- NYLON, FLAME RETARDANT, 94V-0 RATED, GLASS FILLED, BLACK.
- STEEL PER ASTM A109.
- ZINC PLATED PER ASTM B633; TYPE II; CLASS SC1; YELLOW CHROMATE.
- TIN OR TIN-LEAD PLATED PER MIL-T-10727.
- TIN PLATED PER MIL-T-10727 OVER COPPER PER MIL-C-14550.

SUPERSEDED BY 205209-1	SMALL PACK	5	.120	205209-6
OBSOLETE	STANDARD	6	.154	205209-3
	STANDARD	7	.120	205209-2
	STANDARD	5	.120	205209-1
PACKAGING TYPE	SHELL FINISH	A	PART NO	

DO NOT SCALE PRINT. UNLESS SPECIFIED DIMENSIONS IN INCHES TOLERANCES ON : 2 PLC DEC ± - 3 PLC DEC ± .005 ANGLES ± 2°	DR 7-19-85 S.WELDON CHK 7-29-85 J.GERACE APPD 7-29-85 L.BREKOSKY APPD 7-31-85 V.KUMAR	AMP Incorporated Harrisburg, PA 17105-3608		
MATERIAL MOLDED PARTS: 3 SHELLS: 4	PRODUCT SPEC -	NAME RECEPTACLE CONNECTOR, SIZE 4, 37 POSITION, AMPLIMITE™ HDP		
FINISH SHELLS: SEE TABLE	APPLICATION SPEC -	SIZE C	CAGE CODE 00779	DRAWING NO C=205209
	WEIGHT -	SCALE NTS	SHEET 1 OF 1	

THIS DRAWING IS A CONTROLLED DOCUMENT FOR AMP INCORPORATED. IT IS SUBJECT TO CHANGE AND THE CONTROLLING ENGINEERING ORGANIZATION SHOULD BE CONTACTED FOR THE LATEST REVISION.