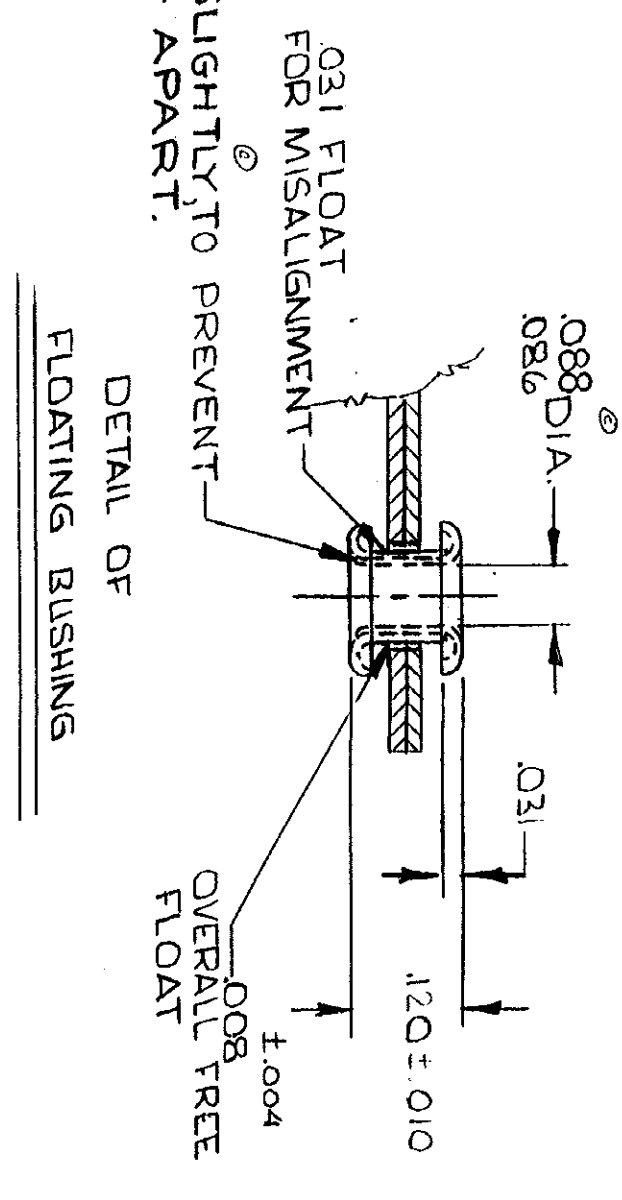
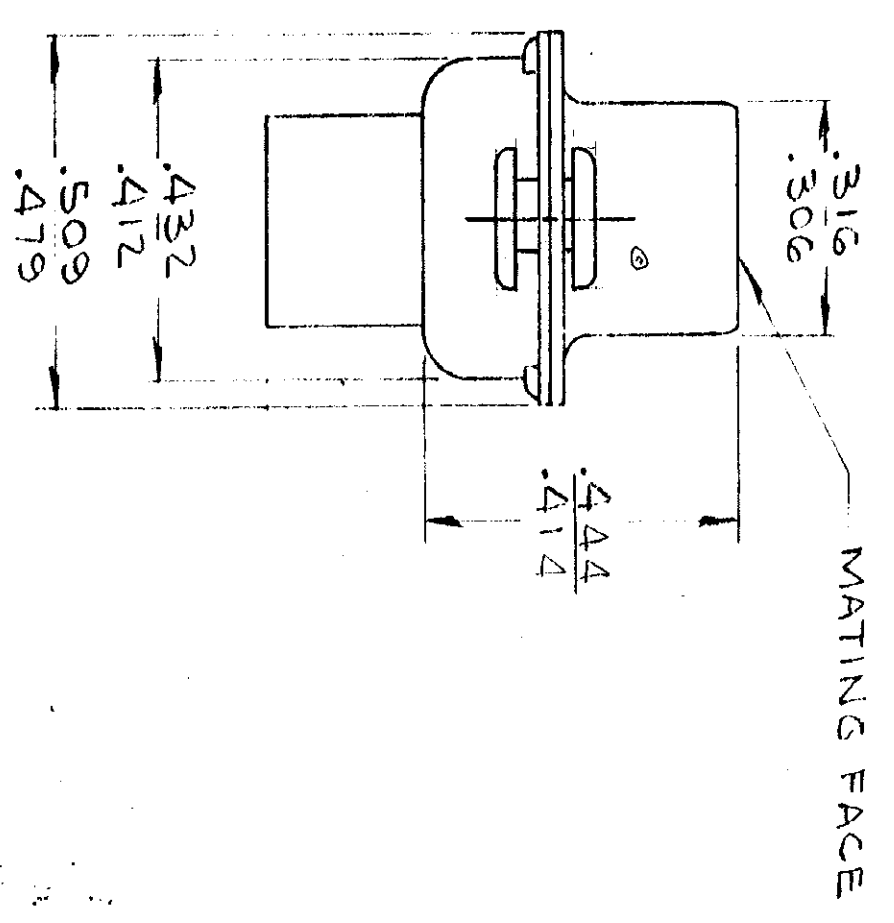
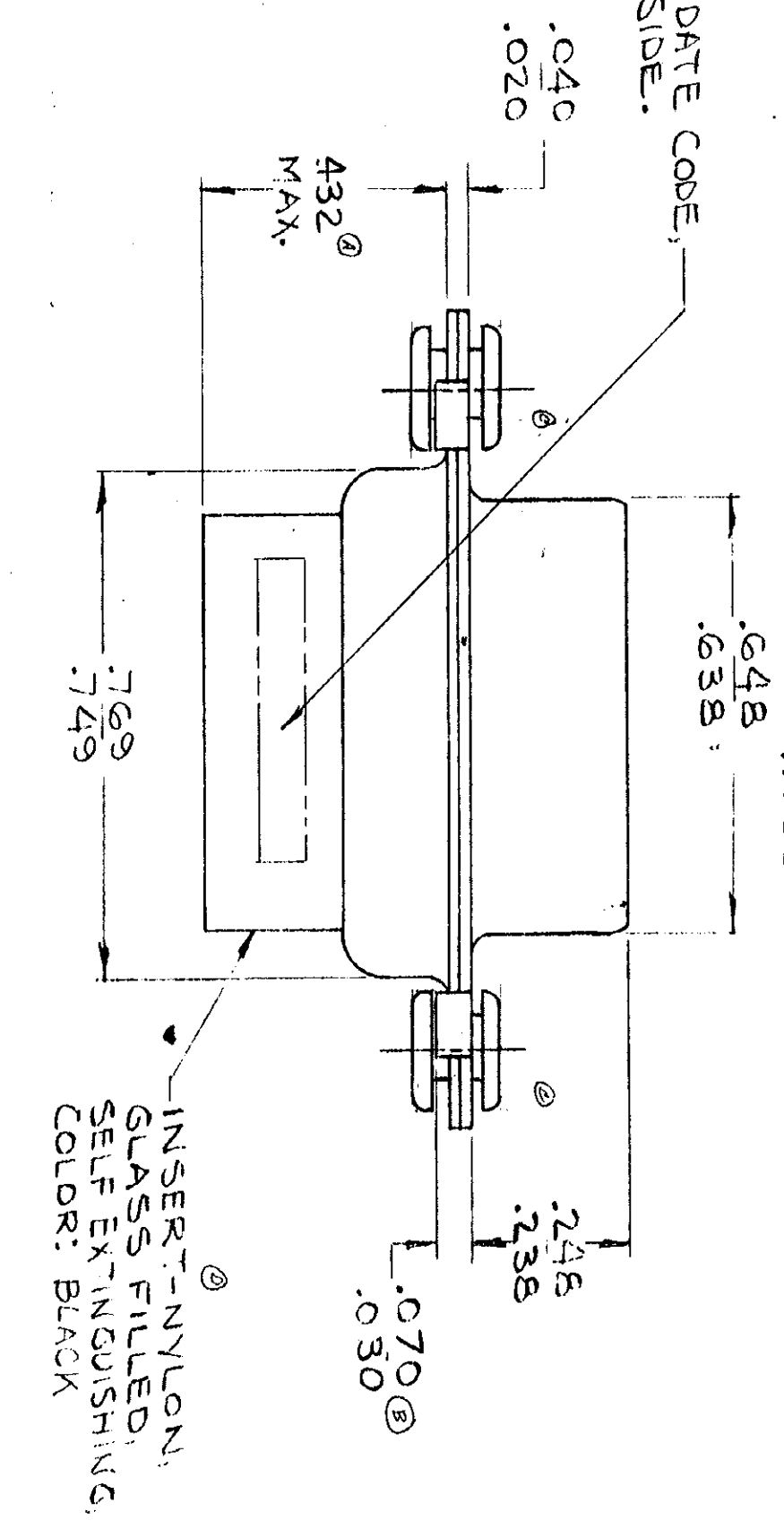
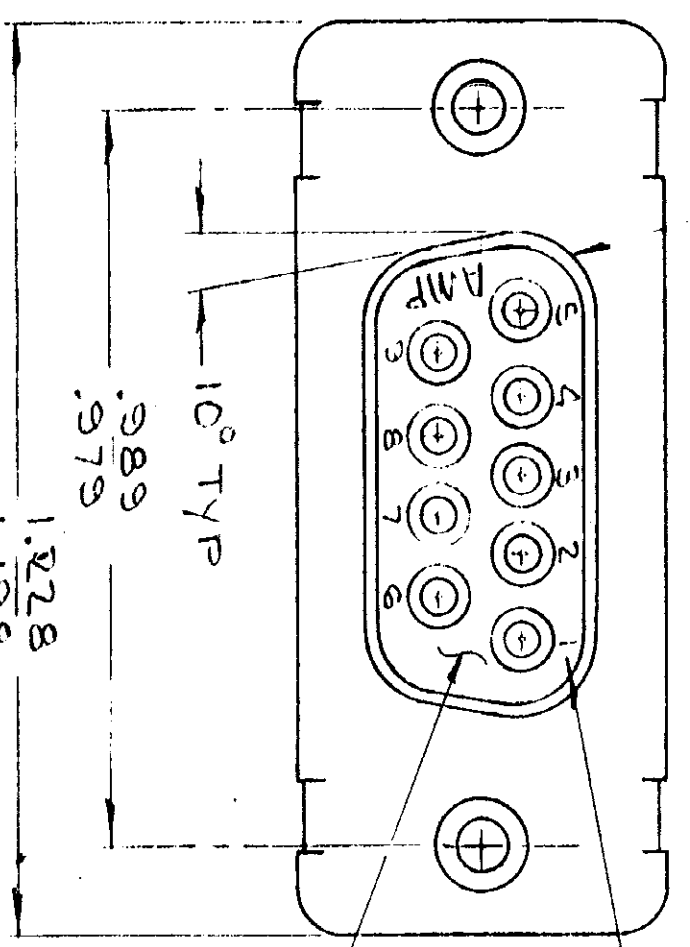


205439-1

OBsolete - 205439-2

1. AS SHOWN
2. MAT'L SHELLS STEEL PER QQ-S-698 ZINC PLATED PER QQ-Z-325 TYPE II, CLASS 3 YELLOW CHROMATE
1. SAME AS -1 EXCEPT:
2. MAT'L SHELLS, BRASS (NON/MAGNETIC) PER MIL-C-50, ZINC PLATED PER QQ-Z-325 TYPE II, CLASS 3 YELLOW CHROMATE.

ZONE	LTR	DESCRIPTION	DATE	APPROVED
O		RELEASED, WAS 5066-251	5/18/71	JS
A		432 MAX. WAS .377 MAX. ECN B-251	6/28/71	JS
B		REV. PER ECN B-774	8/15/71	JS
C		REV. PER ECN C-321	5/15/73	JS
D		REV. PER ECN C-452	7/19/73	JS
E		REV. PER ECN D-644	4-25-75	BWL
E1		REV. PER ECN - 584	4-10-80	JS
E2		REV PER ECN - 0755	10-1-84	JS
E3		OBsolete - 2 PER ECN 1930	3/7/86	JSW



1. THIS RECEPTACLE ACCEPTS SIZE 20 SOCKET CONTACTS.
2. MAXIMUM WIRE INSULATION RECOMMENDED FOR USE WITH THIS RECEPTACLE IS .068 DIA. MAX. Ⓢ
3. RETENTION TIMES ARE AN INTEGRAL PART OF INSERT.
4. INSERTION/REMOVAL TOOL AMP 91067-2 IS RECOMMENDED FOR USE WITH THESE PARTS.
5. THIS CONNECTOR CONFORMS TO AMP SPEC 108-10020.

UNLESS OTHERWISE SPECIFIED, DIMENSIONS ARE IN INCHES TOLERANCES ON: DECIMALS ± .005 ANGLES ± .5° MATERIAL SEE CALLOUT

CONTRACT NO.		DATE	
5/18/71		5/18/71	
DR		APPROVED	
D. Baer		JS	
5-24-71		5/15/73	
REL		DATE	
3/21/71		3/7/86	
OTHER APPD		SCALE	
		1 OF 1	
NAME		NUMBER	
AMP INCORPORATED		205439	
HARRISBURG, PENNSYLVANIA		SIZE	
		C 00779	
CONNECTOR, RECEPTACLE, HDP/20, SIZE 1, 9 POS. (WITH FLOATING BUSHINGS)		SHEET	