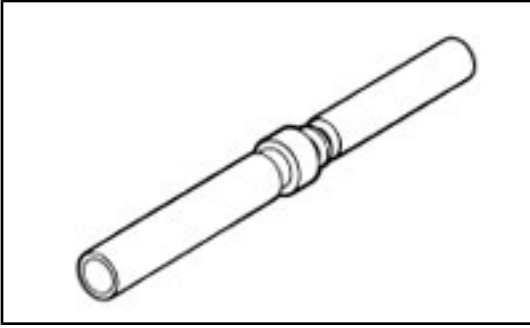


206071-1 Product Details



206071-1

TE Internal Number: 206071-1

 [Active](#)

Subminiature D Pin/Socket Connectors for MIL-C-24308 and MIL- C-39029

 [Always EU RoHS/ELV Compliant \(Statement of Compliance\)](#)

Product Highlights:

- Contact
- Product Series = 90
- Density = High
- Terminate To Wire
- Socket

[View all Features](#)

Documentation & Additional Information

Product Drawings:

- [CONTACT ASSEMBLY, SOCKET, SIZE 22D](#) (PDF, English)

Catalog Pages/Data Sheets:

- None Available

Product Specifications:

- None Available

Application Specifications:

- None Available

Instruction Sheets:

- [Application Tooling for Screw-Machine Contacts](#) (PDF, English)

CAD Files: ([CAD Format & Compression Information](#))

- [2D Drawing](#) (DXF, Version H)
- [3D Model](#) (IGES, Version H)
- [3D Model](#) (STEP, Version H)

[List all Documents](#)

Additional Information:

- [Product Line Information](#)

Related Products:

- [Tooling](#)

Product Features (Please use the Product Drawing for all design activity)

Product Type Features:

- [Product Type](#) = Contact
- [Product Series](#) = 90
- [Gender](#) = Socket
- [Wire Termination Type](#) = Crimp
- [Insulation Diameter \(mm \[in\]\)](#) = 1.38 [.054] Max.

Electrical Characteristics:

- High Current = No

Body Related Features:

- [Non-Magnetic](#) = Yes
- [Post Diameter \(mm \[in\]\)](#) = 1.57 [0.062]
- [Wire Range \(mm \[AWG\]\)](#) = 0.08-0.40² [28-22]

Contact Related Features:

- [Contact Size](#) = 22
- [Contact Style](#) = Crimp Snap-in
- Contact Base Material = Copper Alloy
- Contact Mating Area Plating Material = Gold over Copper

Configuration Related Features:

- [Density](#) = High

Industry Standards:

- Government/Industry Qualification = Yes
- Government/Industry Part Number = G-08-S1
- [RoHS/ELV Compliance](#) = RoHS compliant, ELV compliant
- [Lead Free Solder Processes](#) = Not relevant for lead free process
- RoHS/ELV Compliance History = Always was RoHS compliant

Conditions for Usage:

- Terminate To = Wire

Packaging Related Features:

- Packaging Method = Loose Piece

Other:

- Brand = AMP