

THIS DRAWING IS UNPUBLISHED.		RELEASED FOR PUBLICATION		REV 19	
© COPYRIGHT 19		BY AMP INCORPORATED. ALL RIGHTS RESERVED.			
1. ALL DIMENSIONS APPLY AFTER PLATING.		2. THIS PART COMPLIES WITH SPEC. MIL-C-24308/11, EXCEPT WIRE BARREL.		3. ALL DIAMETERS CONCENTRIC WITH EACH OTHER WITHIN .004 T.I.R.	
4. ALL SURFACES HAVE $\Delta 3$ FINISH OR BETTER UNLESS OTHERWISE NOTED.		5. POINT OF PLATING MEASUREMENT.		6. FINISH: PLATED GOLD PER MIL-G-45204 OVER COPPER PER MIL-C-14550.	

LOC	DF	DO	P	LTR	REV PER ECN	063D-0272-03	DATE	DM	AMP
			G				12-03	DCB	DM

REVISIONS	
DESCRIPTION	

THIS DRAWING IS A CONTROLLED DOCUMENT.

DRAWN	C. J. THOMAS	7/24/00
CHKD	R. GROSS	9-5-00
APPROV	R. GROSS	9-5-00
PRODUCT SPEC		
APPLICATION SPEC		
WEIGHT		
FINISH		
ANGLES		

DIMENSIONS IN INCHES

OTHER SURFACES:  $\Delta 3$

PLATING:  $\pm .0025$

FINISH:  $\pm .025$

MATERIAL: COPPER ALLOY NO. 187

SEE TABLE

CUSTOMER DRAWING

SCALE: 10:1

REV 1 OF 1

SHEET 1 OF 1

AMP INCORPORATED  
Harrisburg, PA 17105-3608

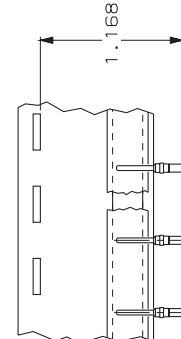
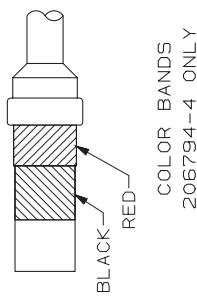
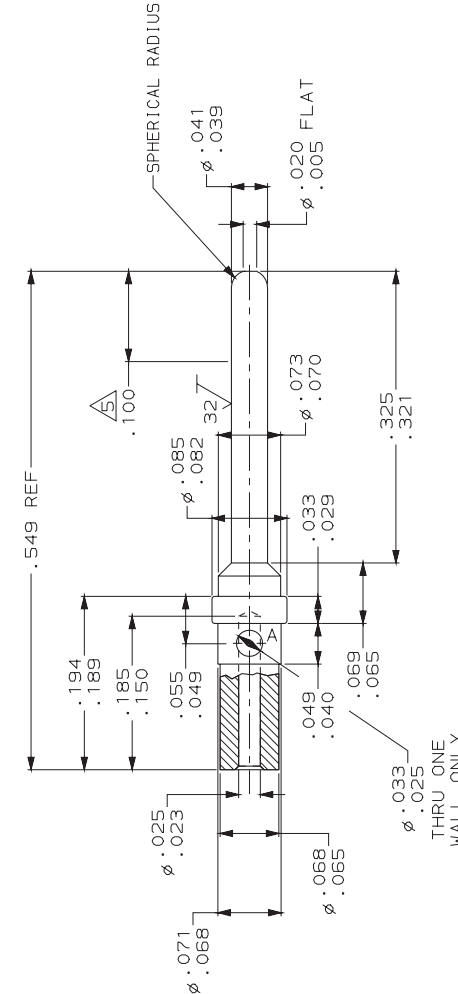
PIN CONTACT, SIZE 20  
(FOR #26 & #28 AWG WIRE)

RESTRICTED TO

AMP 1471-9 REV 11JUN97

11:38:36 us015770 /home/usp015770/edmod

23-005-03



TAPE MOUNTED  
206794-3 ONLY  
SCALE: NTS

SUPERSEDED BY 206794-3	TAPE MOUNTED	-	206794-4	206794-5
	COLOR CODED	-	206794-2	206794-4
	TAPE MOUNTED	-	206794-2	206794-3
	AS SHOWN	$\Delta 6$	COPPER ALLOY #187	206794-2
	REMARKS	FINISH MATERIAL PART NUMBER		