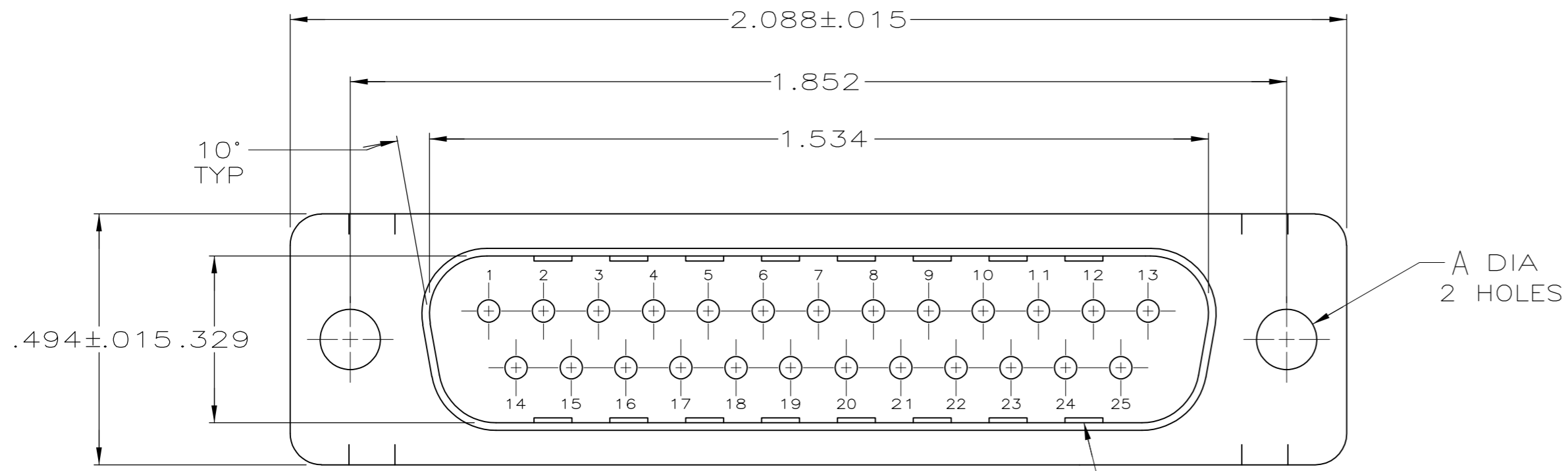


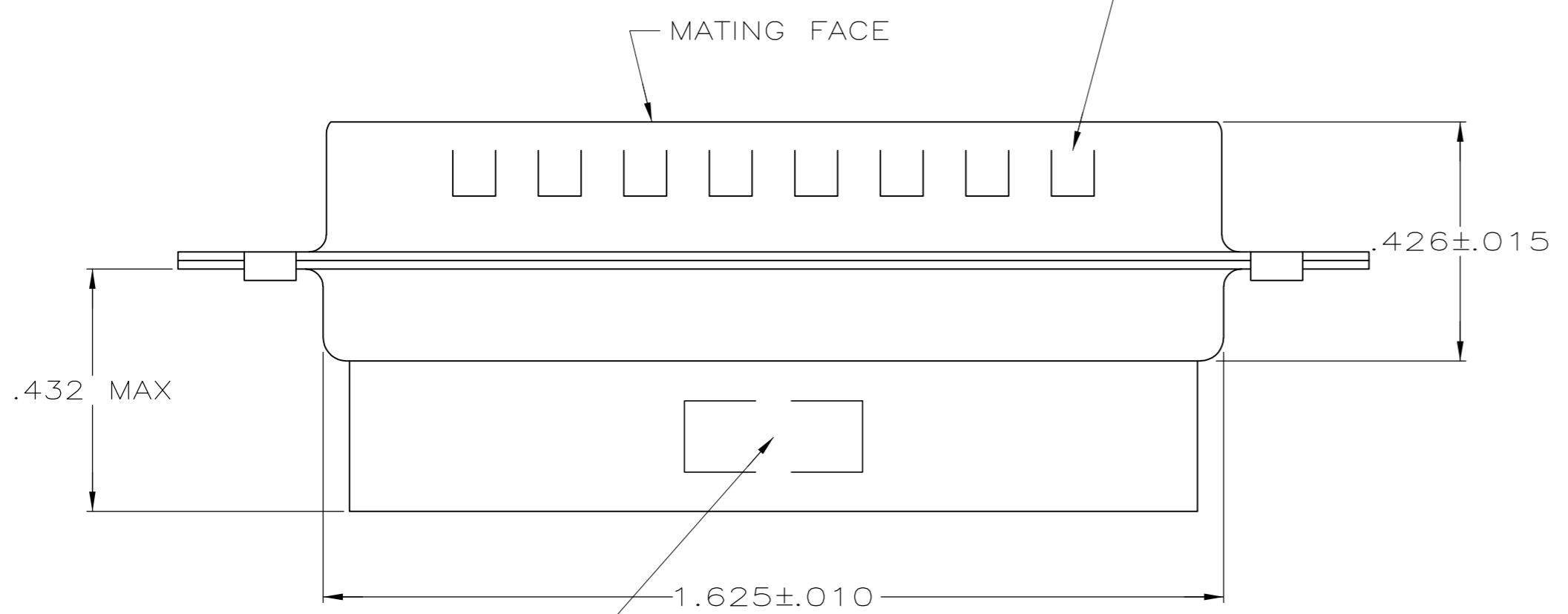
THIS DRAWING IS UNPUBLISHED. RELEASED FOR PUBLICATION
 © COPYRIGHT BY TYCO ELECTRONICS CORPORATION. ALL RIGHTS RESERVED.

LOC	DIST	REVISIONS					
GP	00	P	LTR	DESCRIPTION	DATE	DWN	APVD
		G1		REVISED PER ECO-07-008164	27JUL07	JDP	CWR
		G2		REVISED PER ECO-10-000443	13JAN10	KK	AEG

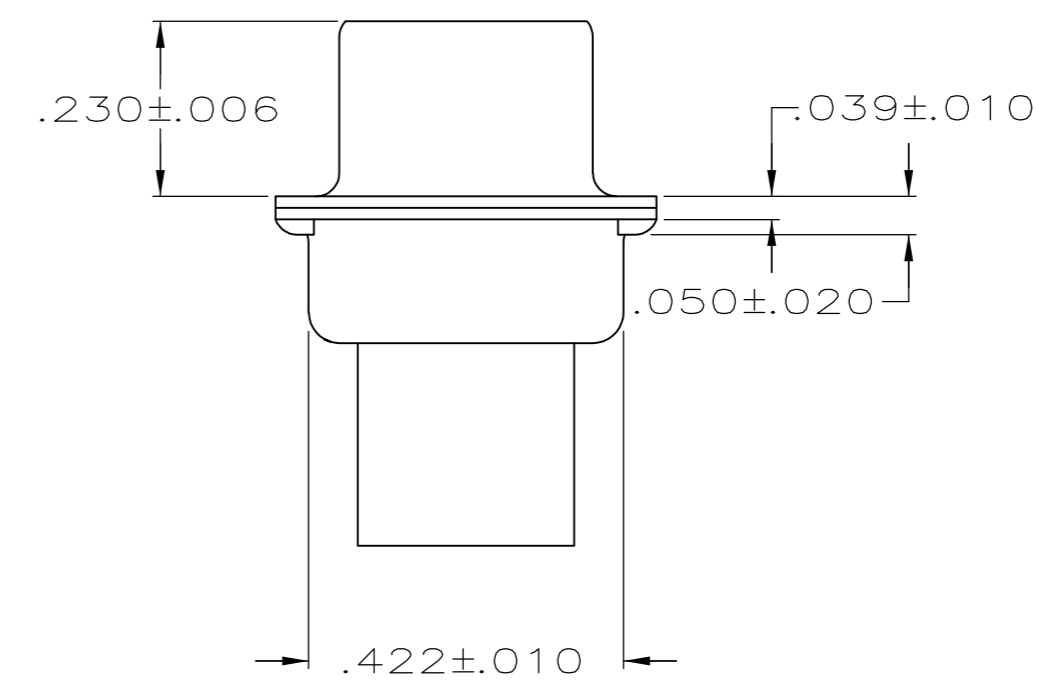


A DIA
2 HOLES

GROUNDING INDENTS
SEE TABLE



"AMP", PART NO. & DATE CODE, MARKED
IN AREA INDICATED, ON FAR SIDE



- CONNECTOR ACCEPTS SIZE 20 DF PIN CONTACTS, RETENTION TINES ARE AN INTEGRAL PART OF INSERT.
- CONNECTOR COMPLIES WITH 108-40005 WHERE APPLICABLE.
- MOLDED PARTS: NYLON, FLAME RETARDANT, 94V-0 RATED, GLASS FILLED, BLACK.
- SHELLS: STEEL PER ASTM A109.
- TIN OR TIN-LEAD PLATED OVER COPPER UNDERPLATE.
- TIN PLATED OVER COPPER UNDERPLATE.

OBSCOLETE	STANDARD	FINISH	GROUNDING INDENTS	PART NUMBER
	STANDARD	6	NO	207464-7
	SMALL PACK	6	YES	207464-6
SUPERSEDED BY 207464-2	STANDARD	5	YES	207464-4
SUPERSEDED BY 207464-2	STANDARD	5	NO	207464-3
	STANDARD	6	YES	207464-2
SUPERSEDED BY 207464-7	STANDARD	5	NO	207464-1

THIS DRAWING IS A CONTROLLED DOCUMENT.

DWN	S.WELDON	7-19-85	Tyco Electronics Corporation Harrisburg, PA 17105-3608
CHK	J.GERACE	7-29-85	
APVD	-	-	NAME
DIMENSIONS: INCHES			PRODUCT SPEC
TOLERANCES UNLESS OTHERWISE SPECIFIED:			APPLICATION SPEC
0 PLC	± -		WEIGHT
1 PLC	± -		SCALE
2 PLC	± -		SHEET
3 PLC	± .005		RESTRICTED TO
4 PLC	± -		
ANGLES	± -		
MATERIAL	FINISH	WEIGHT	SIZE
SEE NOTES	SHELLS: SEE TABLE	-	CAGE CODE
CUSTOMER DRAWING			DRAWING NO
			A2 00779 C=207464
			SCALE 4:1
			SHEET 1 of 1
			REV G2