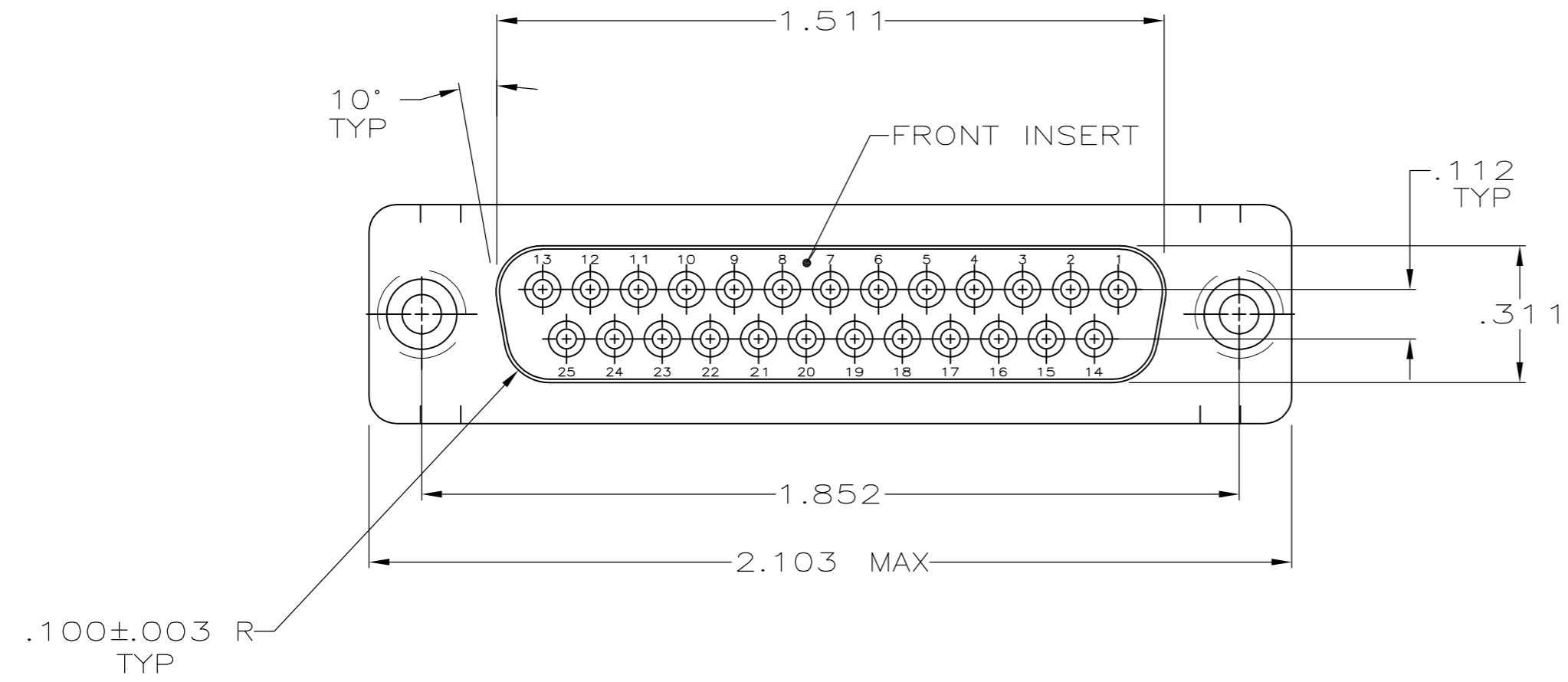
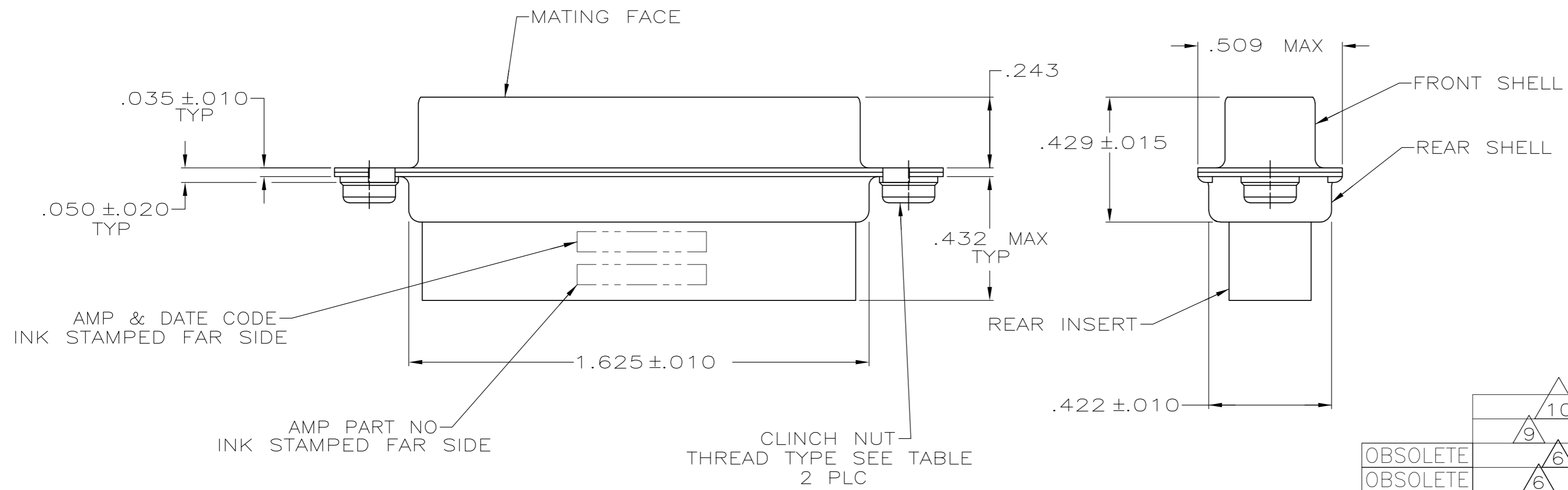


THIS DRAWING IS UNPUBLISHED. RELEASED FOR PUBLICATION
 © COPYRIGHT BY TYCO ELECTRONICS CORPORATION. ALL RIGHTS RESERVED.

LOC	DIST	REVISIONS					
GP	00	P	LTR	DESCRIPTION	DATE	DWN	APVD
		F3		REVISED PER ECO-07-008164	27JUL07	JDP	CWR



1. WIRE INSULATION SIZE RECOMMENDED FOR USE WITH THIS RECEPTACLE IS .068 DIA MAX.
 2. TO INSERT AND REMOVE CONTACTS USE TOOL 91067-2.
 3. CONTACT RETENTION TINES ARE AN INTEGRAL PART OF INSERT.
- △4 CARBON STEEL.
 - △5 ZINC PLATED YELLOW CHROMATE.
 - △6 .000200 MIN TIN OR TIN-LEAD PLATE OVER .000100 COPPER UNDERPLATE.
 - △7 GLASS FILLED BLACK NYLON.
 - △8 ZINC PLATED CLEAR CHROMATE.
 - △9 .000200 MIN TIN PLATE OVER .000100 MIN COPPER UNDERPLATE.
 - △10 ZINC PLATED .000200-.000400 THICK, YELLOW TRIVALENT CHROMIUM CHROMATE COATING.



	△10	△8	4-40	207516-6
	△9	△8	4-40	207516-5
OBSOLETE	△6	△5	M-3	207516-4
OBSOLETE	△6	△8	4-40	207516-3
OBSOLETE	-	-	-	207516-2
OBSOLETE	△5	△8	4-40	207516-1
	SHELL FINISH	CLINCH NUT FINISH	THREAD	PART NUMBER

THIS DRAWING IS A CONTROLLED DOCUMENT.

DWN	H MOLL	11 APR 91
CHK	R.STONE	17 APR 91
APVD	-	-
PRODUCT SPEC	108-10020	
APPLICATION SPEC	-	
WEIGHT	-	-
FINISH	-	
CLINCH NUTS & SHELLS:	-	

Tyco Electronics Tyco Electronics Corporation
Harrisburg, PA 17105-3608

RECEPTACLE CONNECTOR, SIZE 3,
25 POSN, WITH CLINCH NUTS,

SIZE	CAGE CODE	DRAWING NO	RESTRICTED TO
A2	00779	C=207516	-
SCALE	3:1	SHEET	1 of 1
CUSTOMER DRAWING		REV	F3

207516

A