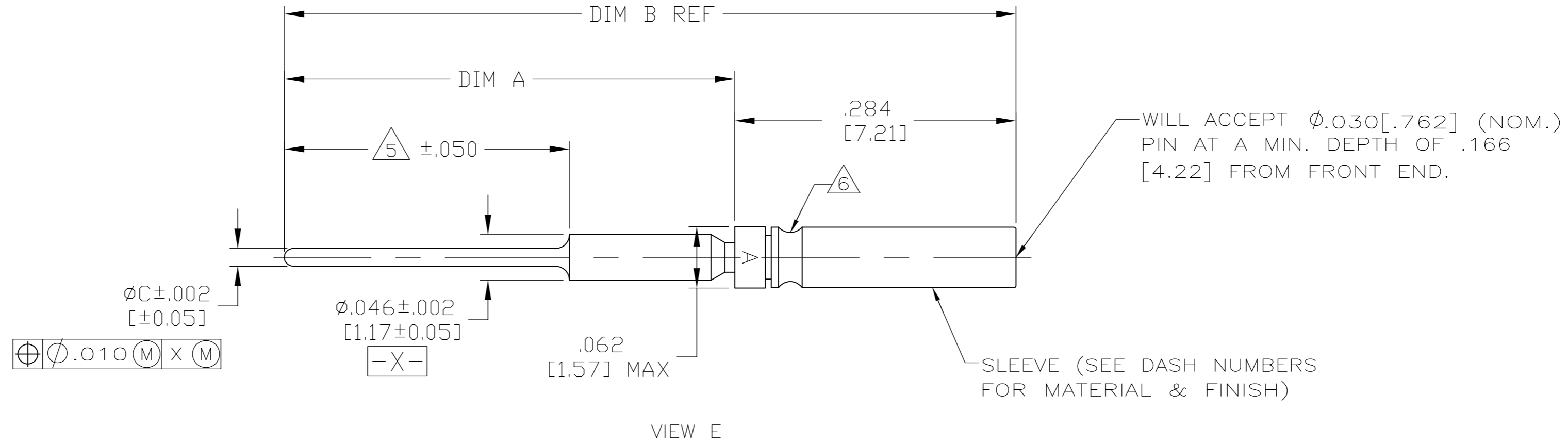
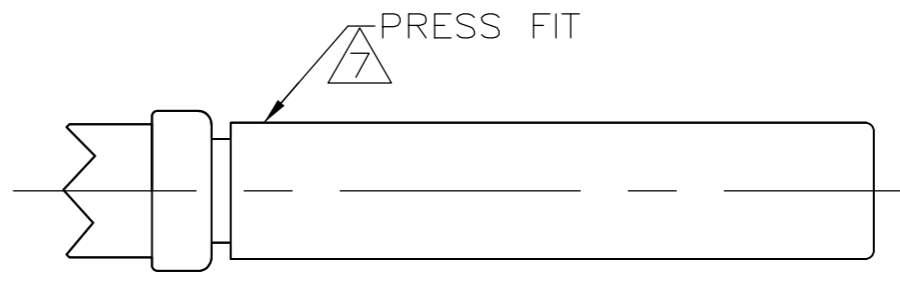


THIS DRAWING IS UNPUBLISHED. RELEASED FOR PUBLICATION
 © COPYRIGHT BY TYCO ELECTRONICS CORPORATION. ALL INTERNATIONAL RIGHTS RESERVED.

LOC		DIST		REVISIONS			
P	LTR	DESCRIPTION	DATE	DWN	APVD		
	Z	REV PER ECO 09-012656	6-5-09	CT	RL		



VIEW E



VIEW F
SAME AS VIEW E
EXCEPT AS SHOWN

- 1. INSERTION/EXTRACTION TOOL AMP P/N 91067-1.
- 2. CONTACT BODY AND HOOD FINISH:
GOLD PLATED .000050 [0.0127] TO .000100 [0.0254] THICK PER ASTM-B-488, TYPE II, GRADE C OVER COPPER PLATE
.000100 [0.0254] TO .000250 [0.0635] THICK PER ASM 2418.
- 3. CONTACT BODY FINISH:
GOLD PLATED .000050 [0.0127] TO .000100 [0.0254] THICK PER ASTM-B-488, TYPE II, GRADE C OVER COPPER PLATE
.000100 [0.0254] TO .000250 [0.0635] THICK PER ASM 2418.
HOOD FINISH:
PASSIVATED PER ASTM-A-380
- 4. CONTACT BODY FINISH:
GOLD PLATED .000050 [0.0127] TO .000100 [0.0254] THICK PER ASTM-B-488, TYPE II, GRADE C OVER NICKEL PLATE
.000050 [0.0127] TO .000100 [0.0254] THICK PER QQ-N-290,
- 5. THIS AREA IS SOLDER DIPPED. 207684-8 & 1-207684-0 ONLY.
- 6. SLEEVE MAY BE CRIMPED OR DIMPLED ONTO CONTACT BODY.
- 7. SLEEVE MAY BE PRESS FIT, CRIMPED OR DIMPLED ONTO CONTACT BODY.
- 8. CONTACTS MEET ALL APPLICABLE PERFORMANCE REQUIREMENTS OF MIL-C-39029.
- 9. CONTACT BODY MATERIAL:
LEADED NICKEL COPPER OR COPPER ALLOY PER ASTM-B-197
HOOD MATERIAL:
BRASS PER ASTM-B-36 OR COPPER ALLOY PER ASTM-B-197
- 10. CONTACT BODY MATERIAL:
LEADED NICKEL COPPER OR COPPER ALLOY PER ASTM-B-197
HOOD MATERIAL:
STAINLESS STEEL PER ASTM-A-240
- 11. CONTACT BODY MATERIAL:
BERYLLIUM COPPER PER ASTM-B-197
HOOD MATERIAL:
STAINLESS STEEL PER ASTM-A-240
- 12. PRELIMINARY NOT RELEASED FOR PRODUCTION

REMARKS	SEE VIEW	FINISH	MATERIAL	∅C	DIM B	DIM A	PART NO	
12	5 6	VIEW E	2	9	.018 [0.46]	.844 [21.44]	.560 [14.22]	1-207684-0
12	6	VIEW E	2	9	.020 [0.51]	.949 [24.10]	.665 [16.89]	207684-9
	5 6	VIEW E	2	9	.018 [0.46]	.744 [18.90]	.460 [11.68]	207684-8
	7	VIEW F	3	10	.025 [0.64]	.844 [21.44]	.560 [14.22]	207684-7
	7	VIEW F	4	11	.018 [0.46]	1.094 [27.79]	.810 [20.57]	207684-6
	7	VIEW F	4	11	.018 [0.46]	.844 [21.44]	.560 [14.22]	207684-5
	7	VIEW F	4	10	.025 [0.64]	.844 [21.44]	.560 [14.22]	207684-4
	6	VIEW E	2	9	.018 [0.46]	.744 [18.90]	.460 [11.68]	207684-3
	6	VIEW E	2	9	.018 [0.46]	1.094 [27.79]	.810 [20.57]	207684-2
	6	VIEW E	2	9	.018 [0.46]	.844 [21.44]	.560 [14.22]	207684-1

THIS DRAWING IS A CONTROLLED DOCUMENT.

DWN	T. ALEXANDER	11-15-91	Tyco Electronics Corporation Harrisburg, PA 17105-3608
CHK	F. KINSEY	11-18-91	
APVD	F. KINSEY	11-18-91	
PRODUCT SPEC			
APPLICATION SPEC			NAME
DIMENSIONS: INCHES			SIZE
TOLERANCES UNLESS OTHERWISE SPECIFIED:			CAGE CODE
0 PLC ± -			DRAWING NO
1 PLC ± -			RESTRICTED TO
2 PLC ± -			SCALE
3 PLC ± .005 [0.13]			SHEET
4 PLC ± -			REV
ANGLES ± -			
MATERIAL	FINISH	WEIGHT	
SEE CALLOUT	SEE CALLOUT		
CUSTOMER DRAWING			