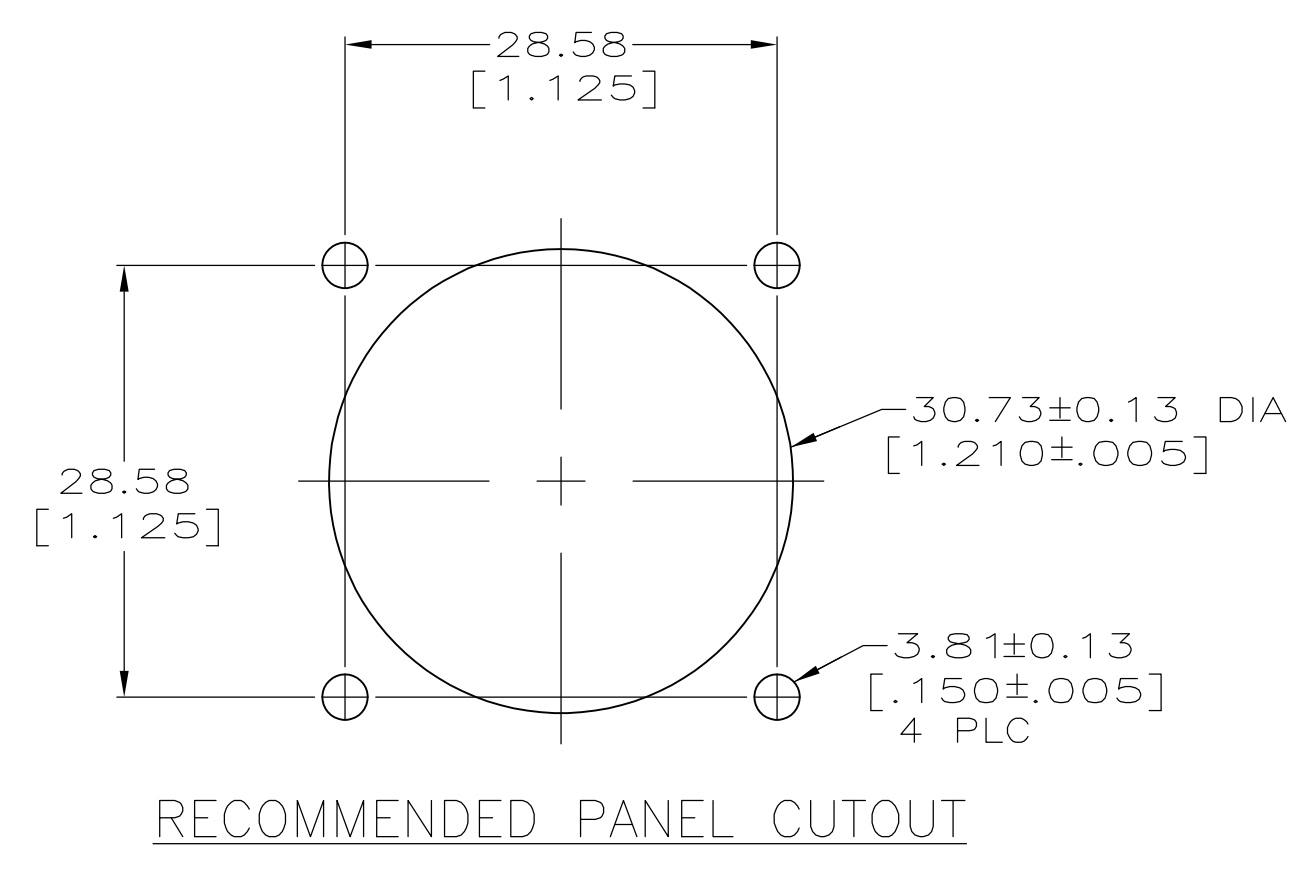
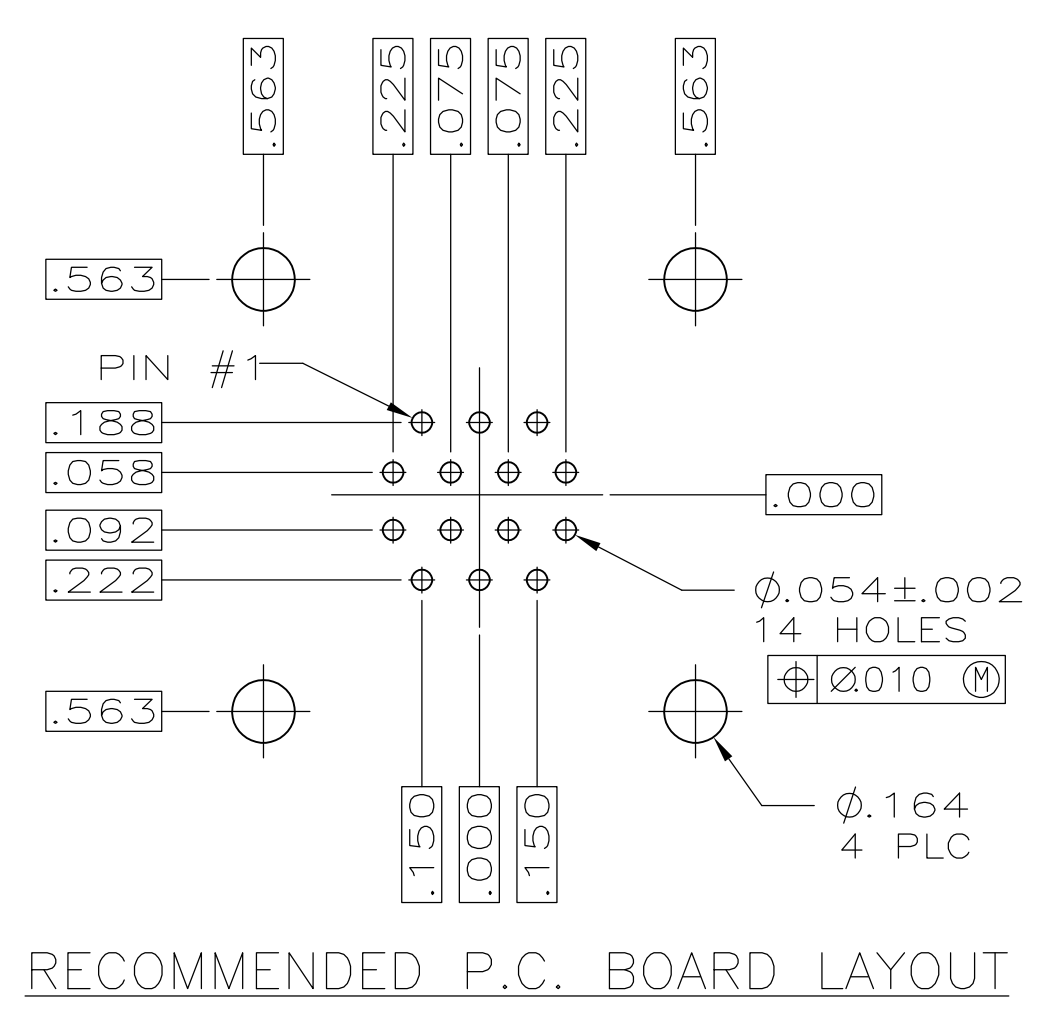
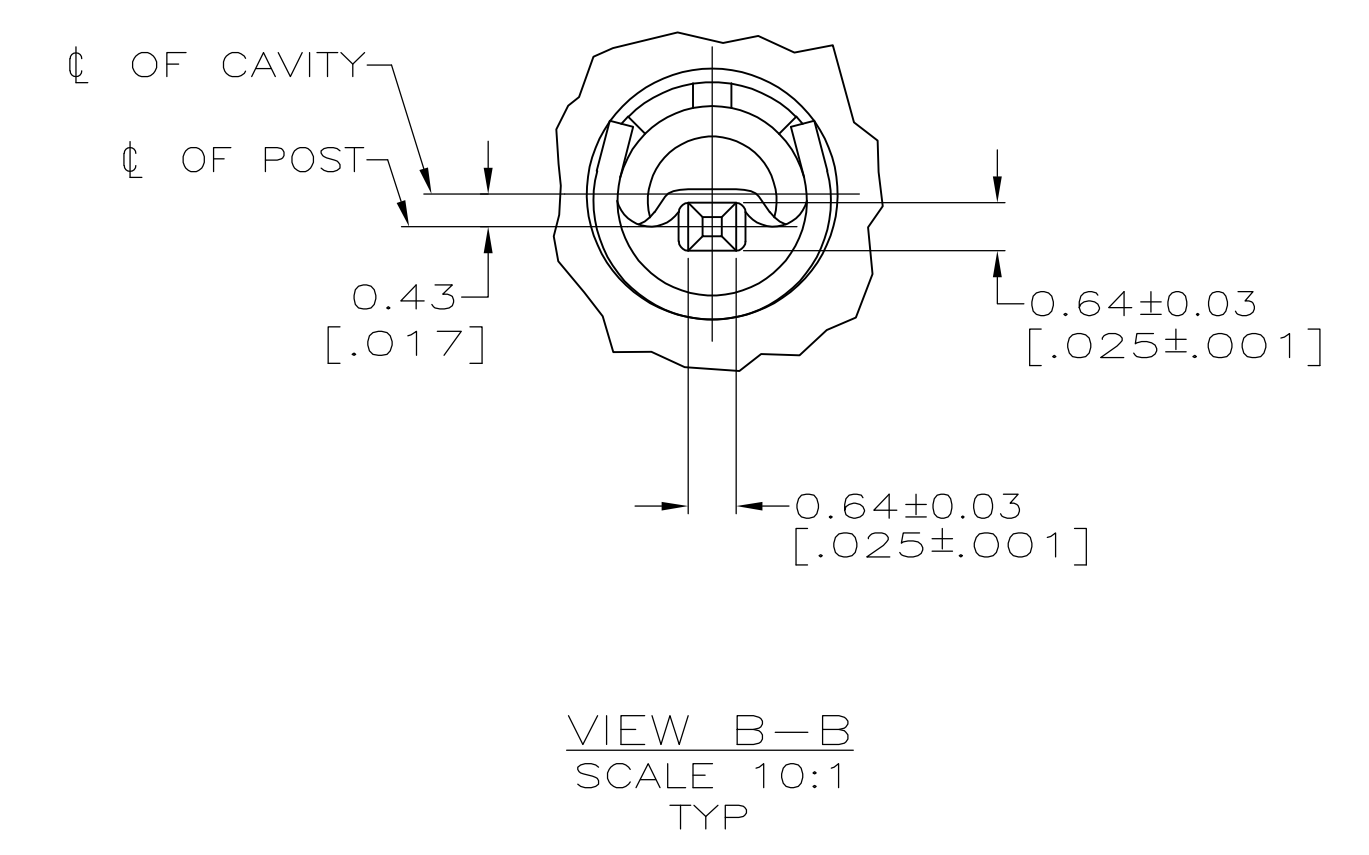
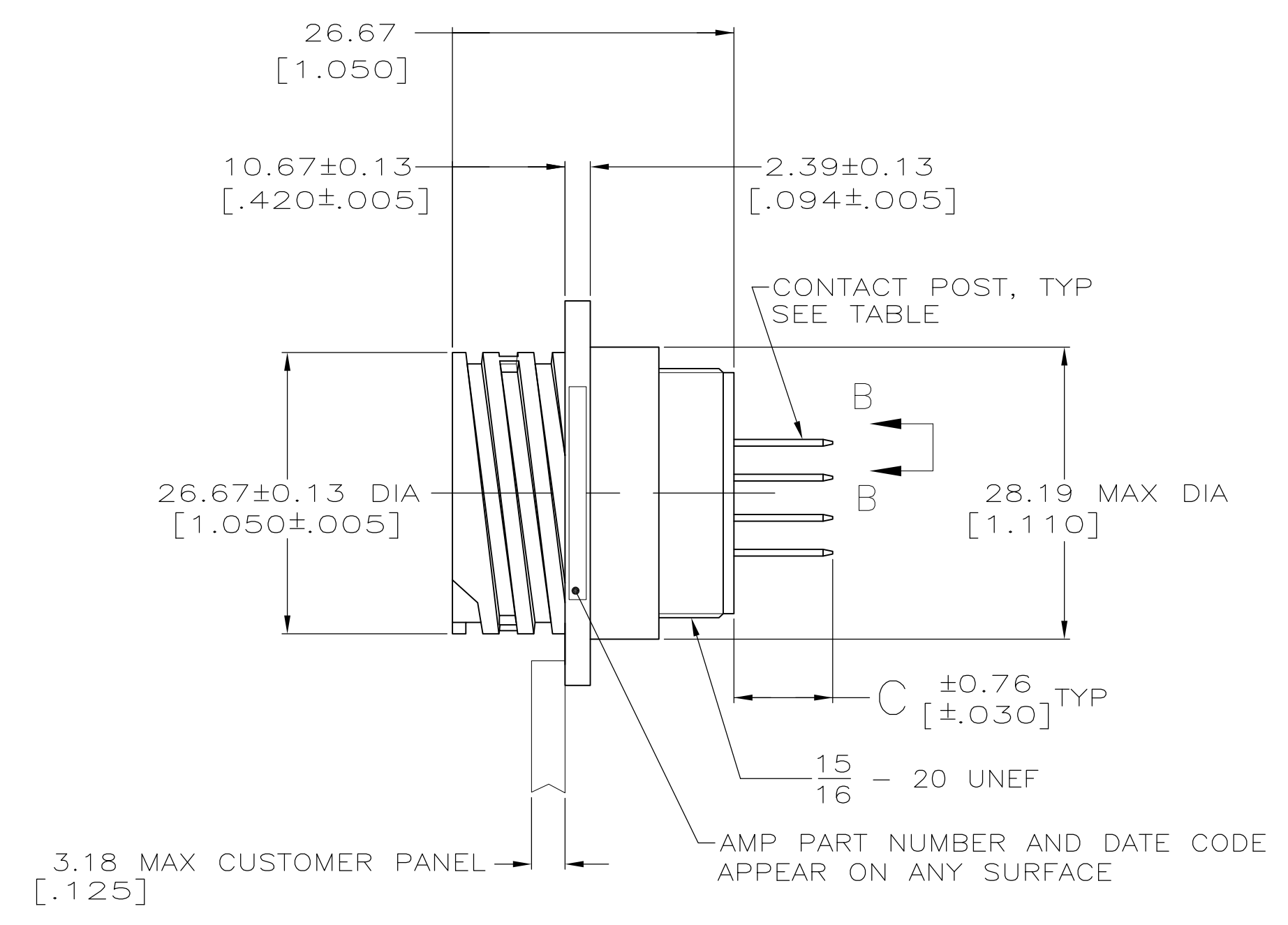
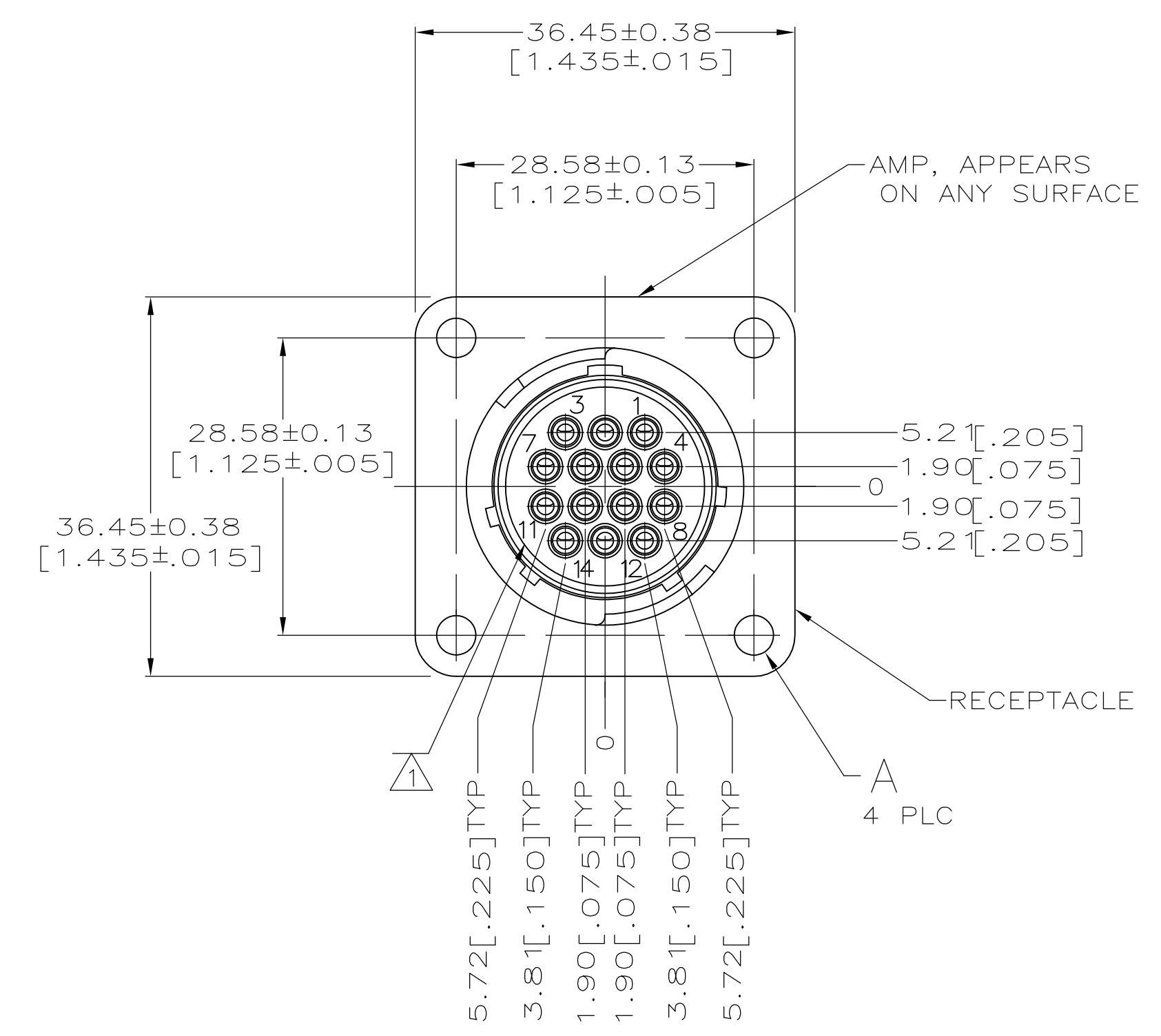


LOC		DIST		REVISIONS			
F	LTR	DESCRIPTION	DATE	DMN	APVD		
F1		REVISED PER ECO-05-12324	10/26/05	SS	SH		
F2		REVISED PER ECO-09-021826	07JAN10	KK	AEG		



- ⚠ CAVITY IDENTIFICATION CHARACTERS ON FRONT AND REAR FACE.
- ⚠ NYLON, UL 94V-0 RATED, BLACK.
- ⚠ CONTACT BODY: 0.76um[.000030] MIN GOLD FOR LENGTH OF 5.08[.200] MIN FROM MATING END, WITH REMAINDER TO BE GOLD FLASH, BOTH OVER 1.27um[.000050] MIN NICKEL. CONTACT POST: 2.54um[.000100] MIN TIN-LEAD OVER 2.54um[.000100] MIN COPPER.
- ⚠ CONTACT BODY: 2.54um[.000100] MIN TIN-LEAD OVER 1.27um[.000050] MIN NICKEL. CONTACT POST: 2.54um[.000100] MIN TIN-LEAD OVER 2.54um[.000100] MIN COPPER.
- ⚠ CONTACT BODY: 0.76um[.000030] MIN GOLD FOR LENGTH OF 5.08[.200] MIN FROM MATING END, WITH REMAINDER TO BE GOLD FLASH, BOTH OVER 1.27um[.000050] MIN NICKEL. CONTACT POST: 2.54um[.000100] MIN TIN OVER 2.54um[.000100] MIN COPPER.
- ⚠ CONTACT BODY: 2.54um[.000100] MIN TIN OVER 1.27um[.000050] MIN NICKEL. CONTACT POST: 2.54um[.000100] MIN TIN OVER 2.54um[.000100] MIN COPPER.
- ⚠ PRELIMINARY PART NUMBER.
- ⚠ OBSOLETE PARTS: OBSOLETE CIS STREAMLINING PER D.RENAUD/D.SINISI

9.35[.368]	3.81±0.08[.150±.003] DIA	⚠5	213729-9
⚠ OBSOLETE 4.04[.159]	4-40UNC, INSERT, BRASS	⚠6	213729-8
⚠ OBSOLETE 9.35[.368]	3.81±0.08[.150±.003] DIA	⚠6	213729-7
9.35[.368]	4-40UNC, INSERT, BRASS	⚠5	213729-6
4.04[.159]	3.81±0.08[.150±.003] DIA	⚠4	213729-5
⚠ OBSOLETE 4.04[.159]	4-40UNC, INSERT, BRASS	⚠4	213729-4
⚠ OBSOLETE 9.35[.368]	3.81±0.08[.150±.003] DIA	⚠4	213729-3
9.35[.368]	4-40UNC, INSERT, BRASS	⚠3	213729-2
9.35[.368]	3.81±0.08[.150±.003] DIA	⚠3	213729-1
C	A	CONTACT FINISH	PART NUMBER

THIS DRAWING IS A CONTROLLED DOCUMENT.		DWG: W.G.LENKER 12-3-91 R.STONE 12-11-91		Tyco Electronics Corporation Harrisburg, PA 17105-3608	
DIMENSIONS: INCHES	TOLERANCES UNLESS OTHERWISE SPECIFIED:	APVD: -	NAME: -	RECEPTACLE ASSEMBLY, POSTED, SERIES 1, REVERSE SEX, CPC	
0 PLC ± -	1 PLC ± -	PRODUCT SPEC: 108-10024	SIZE: 114-10004	RESTRICTED TO	
2 PLC ± 0.25[.010]	3 PLC ± -	APPLICATION SPEC: -	WEIGHT: -	SCALE: 2:1 SHEET 1 OF 1 REV F2	
4 PLC ± -	ANGLES ± -	MATERIAL: RECEPTACLE: 2 CONTACT: BRASS	FINISH: -	CUSTOMER DRAWING	