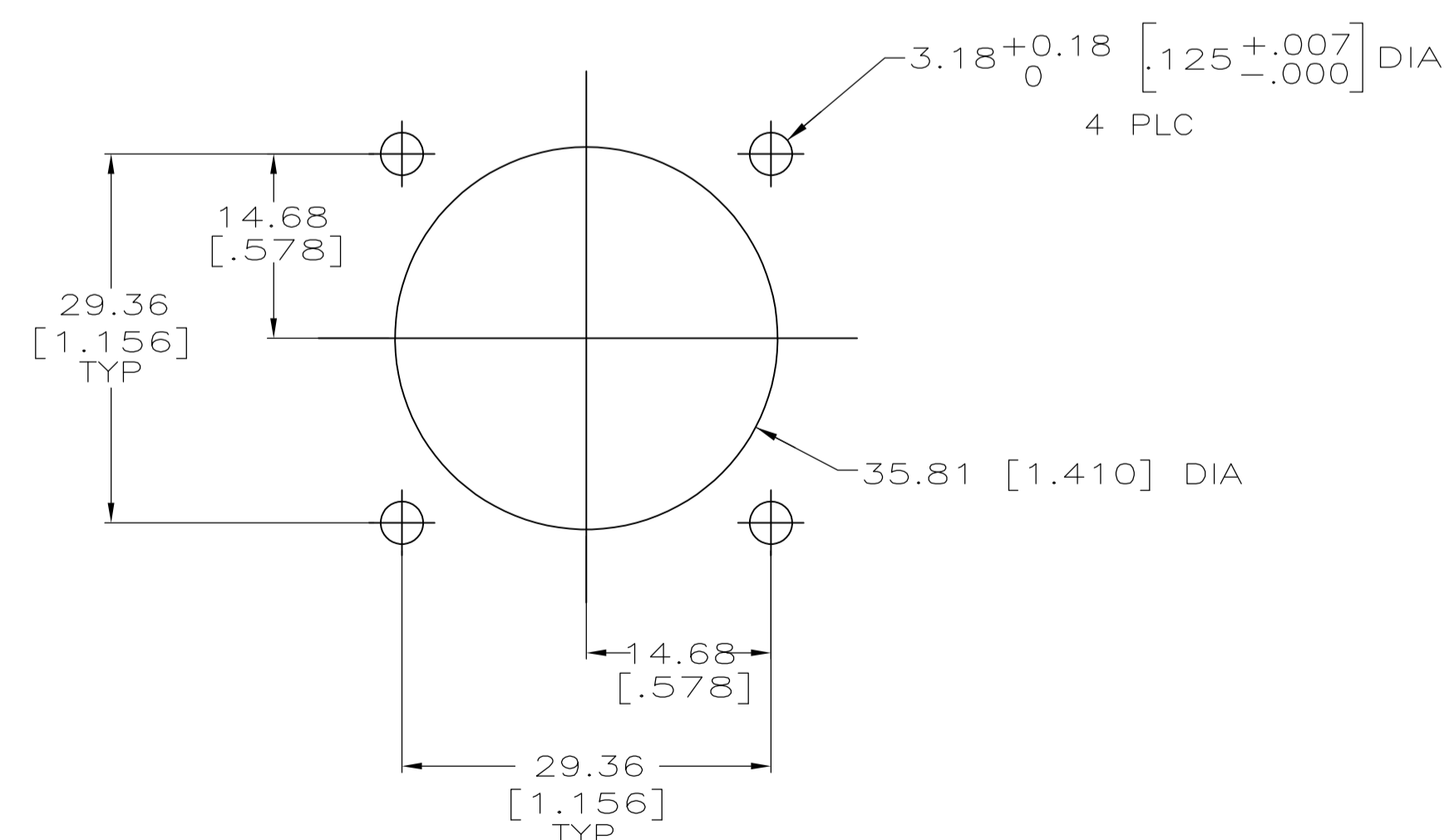
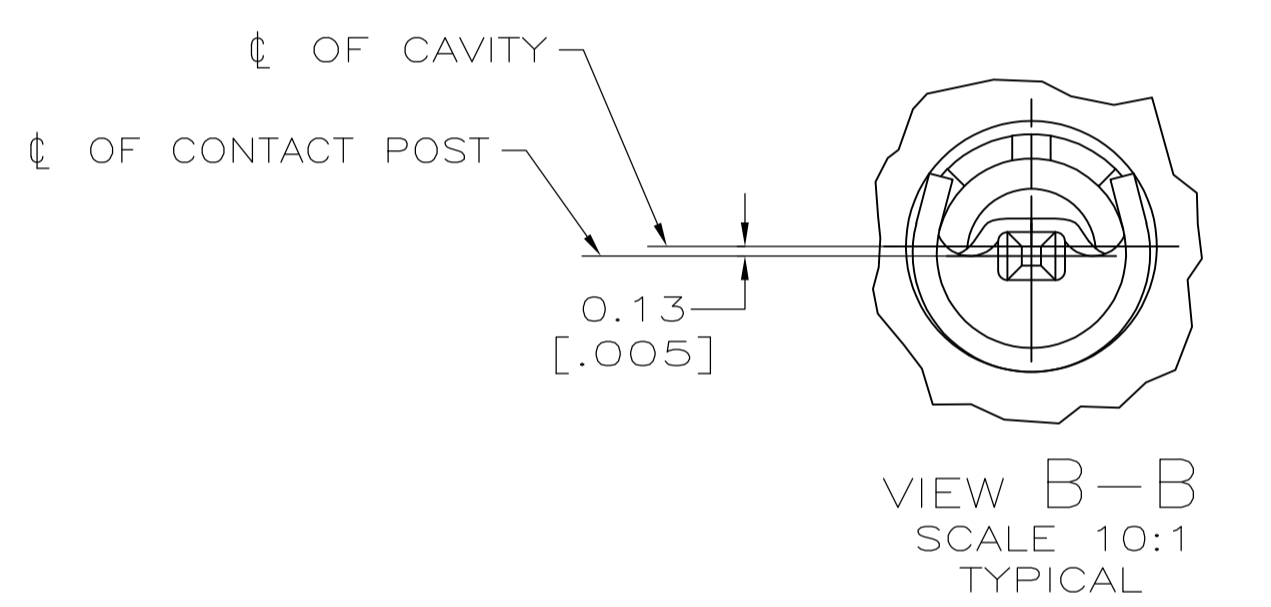
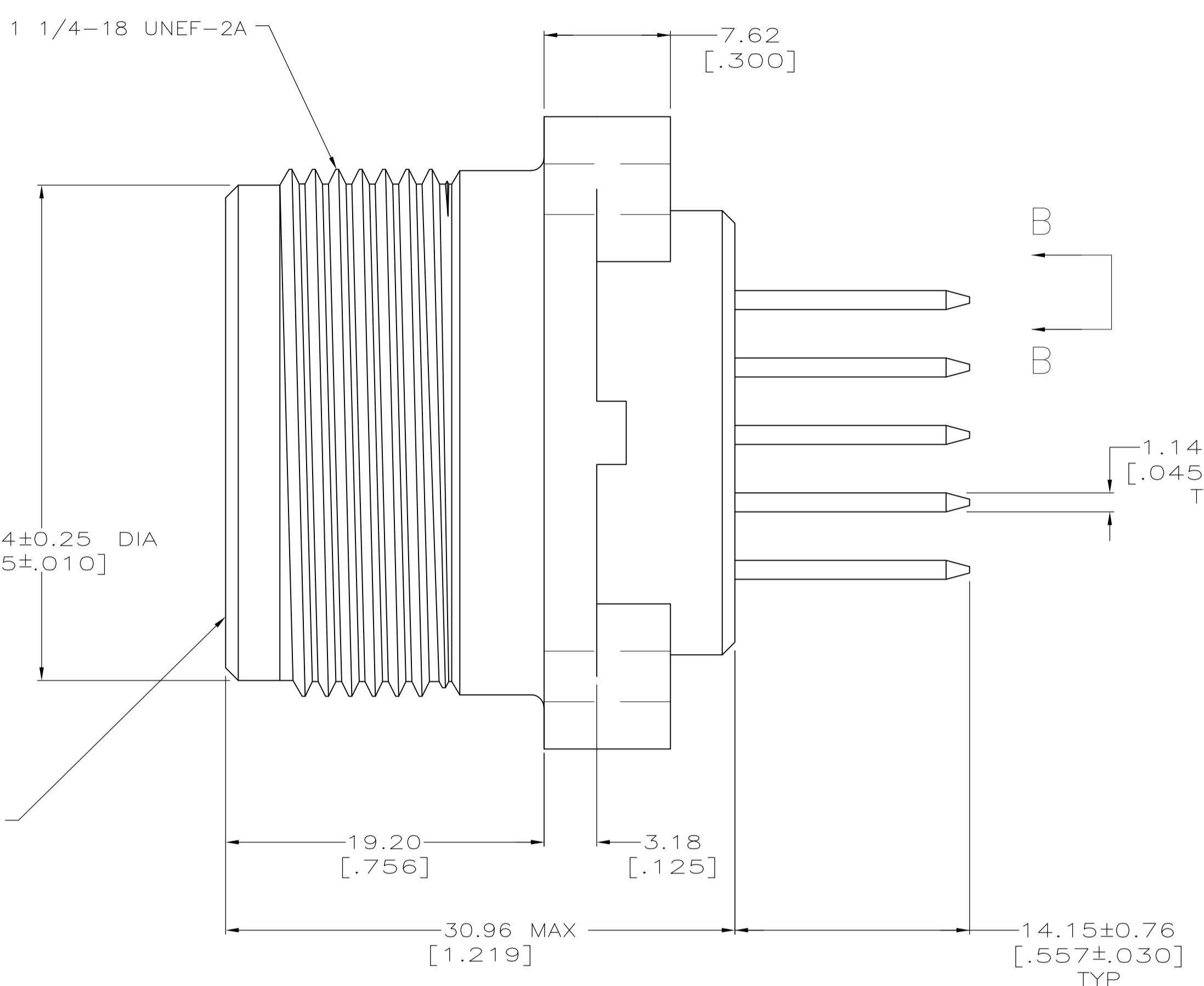
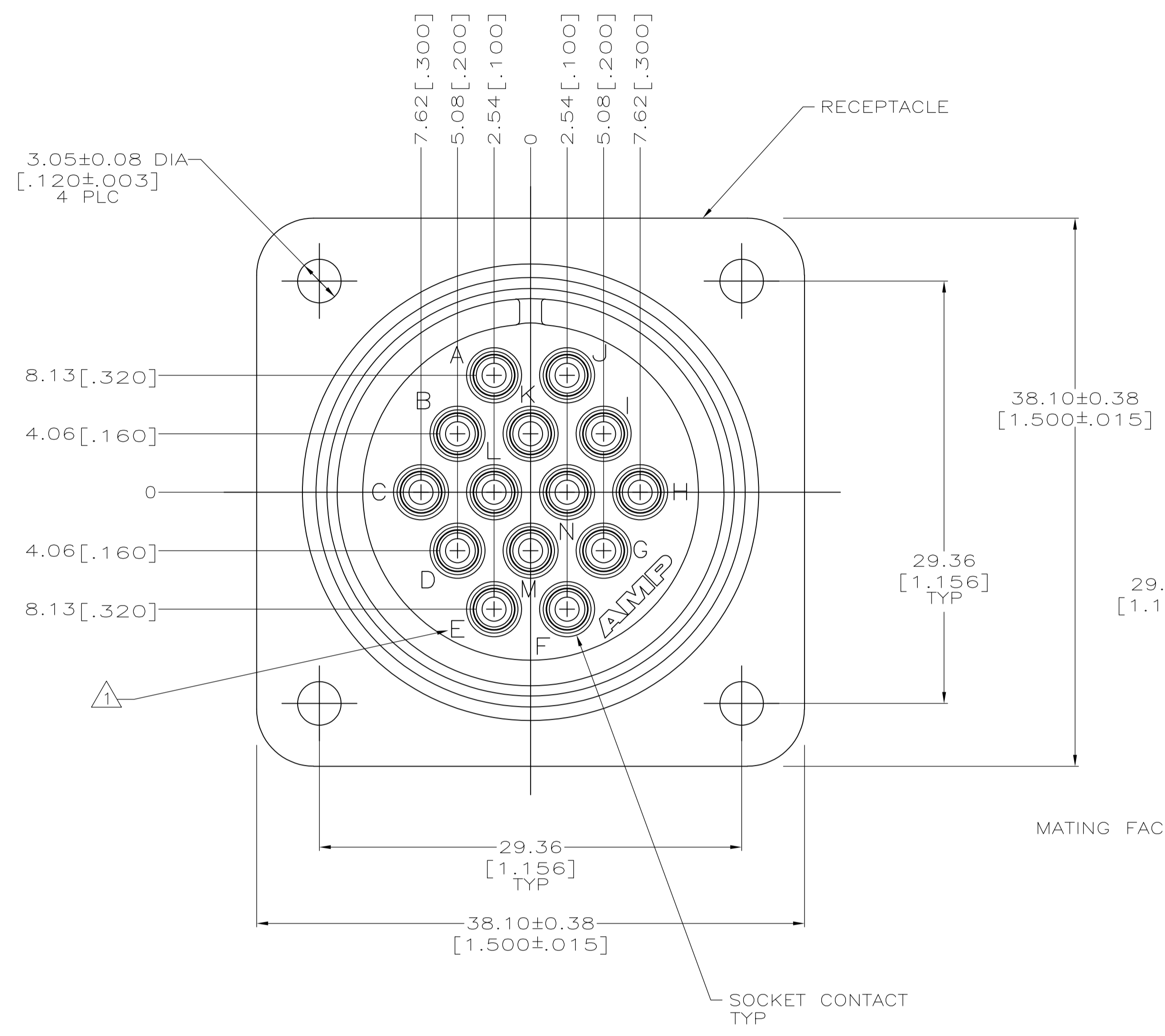


LOC		DIST		REVISIONS			
FT	0	REV	DATE	BY	CHK	APP	REV
		C	5/3/05	SS	HW		
		C1	27AUG09	KK	AEG		



RECOMMENDED PANEL CUTOUT  
SCALE 2:1

- △ CAVITY IDENTIFICATION CHARACTERS ON FRONT AND REAR FACE.
- △ RECEPTACLE: NYLON, UL 94V-0 RATED, BLACK.  
CONTACT AND POST: BRASS.  
SPRING: STAINLESS STEEL.
- △ SOCKET CONTACT AND POST: 2.54um [.000100] MIN TIN-LEAD OVER 1.27um [.000050] MIN NICKEL.
- △ SOCKET CONTACT AND POST: 2.54um [.000100] MIN TIN OVER 1.27um [.000050] MIN NICKEL.
- △ OBSOLETE PARTS: OBSOLETE CIS STREAMLINING PER D.RENAUD/D.SINISI

FINISH	POSITIONS LOADED	PART NUMBER
△ OBSOLETE	B, C, D, E, F, H, I, J, L, M, N	1-213928-4
△	A, B, C, D, E, F, G, H, K	1-213928-3
△	A, B, C, D, E, K	1-213928-2
△	ALL	1-213928-1
△ OBSOLETE	B, C, D, E, F, H, I, J, L, M, N	213928-4
△	A, B, C, D, E, F, G, H, K	213928-3
△	A, B, C, D, E, K	213928-2
△	ALL	213928-1

THIS DRAWING IS A CONTROLLED DOCUMENT.

DIMENSIONS: mm [INCHES]	TOLERANCES UNLESS OTHERWISE SPECIFIED:	DIN C. OBERMAN 31 OCT 95	CHK R. STONE 1 NOV 95	APPROVED R. BYERS 2 NOV 95	NAME	RECEPTACLE ASSEMBLY, 20-14, REVERSE SEX, CPC
0 PLC ± -	1 PLC ± -	2 PLC ± 0.13 [.005]	3 PLC ± -	4 PLC ± -	ANGLES ± -	SIZE CAGE CODE DRAWING NO. RESTRICTED TO
MATERIAL	FINISH	WEIGHT	SCALE 4:1	SHEET 1 OF 1	REV C1	

Customer Drawing: A100779C=213928