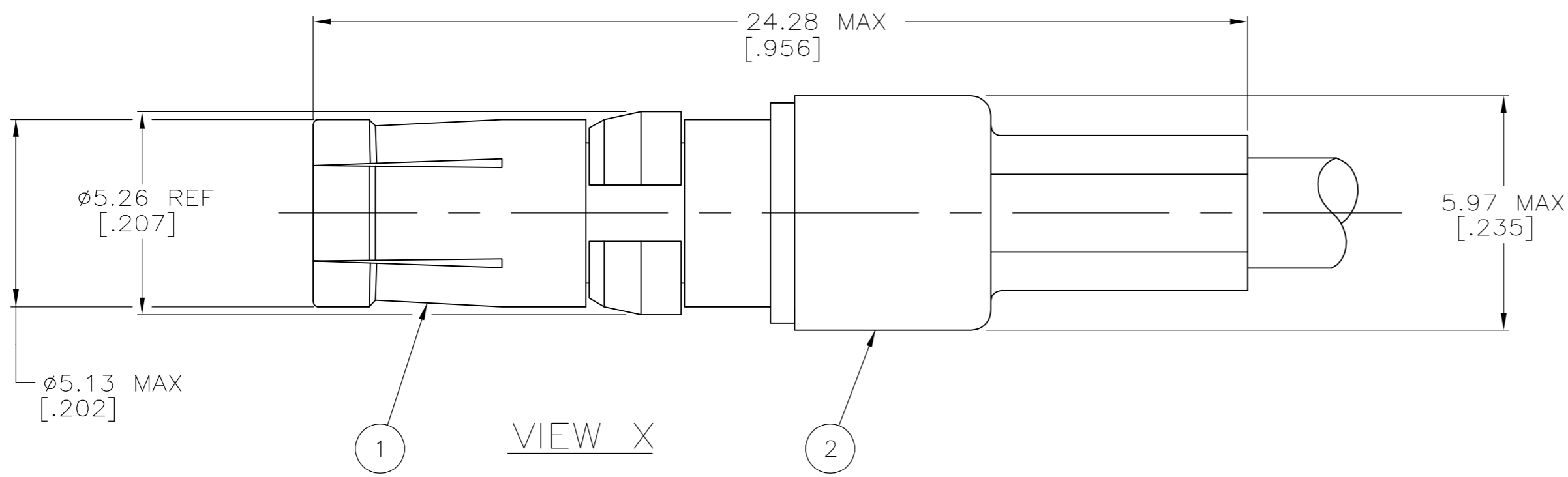
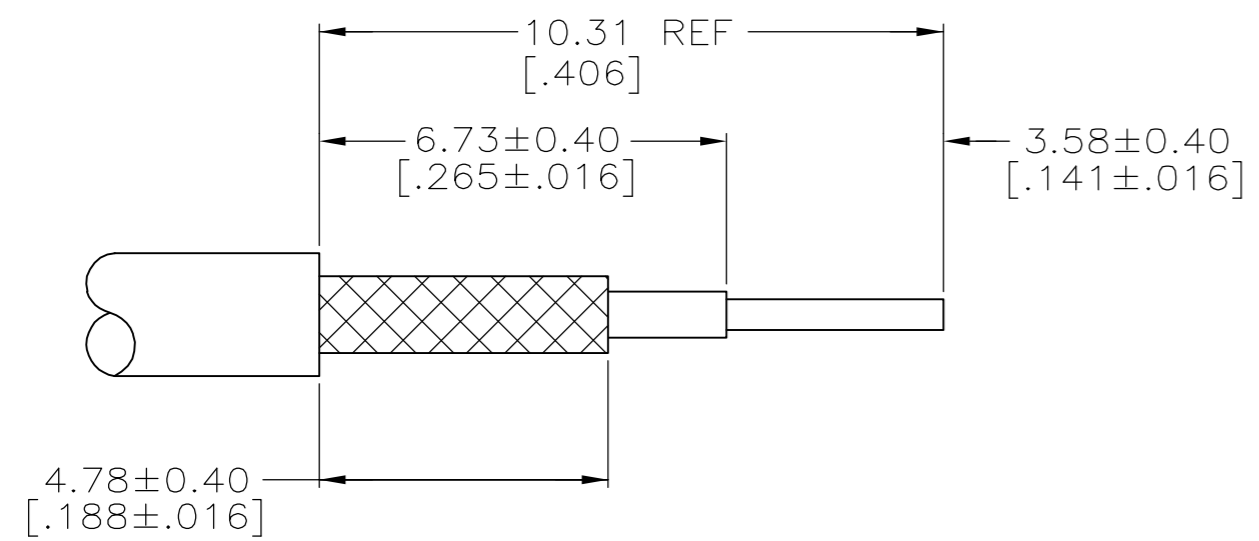
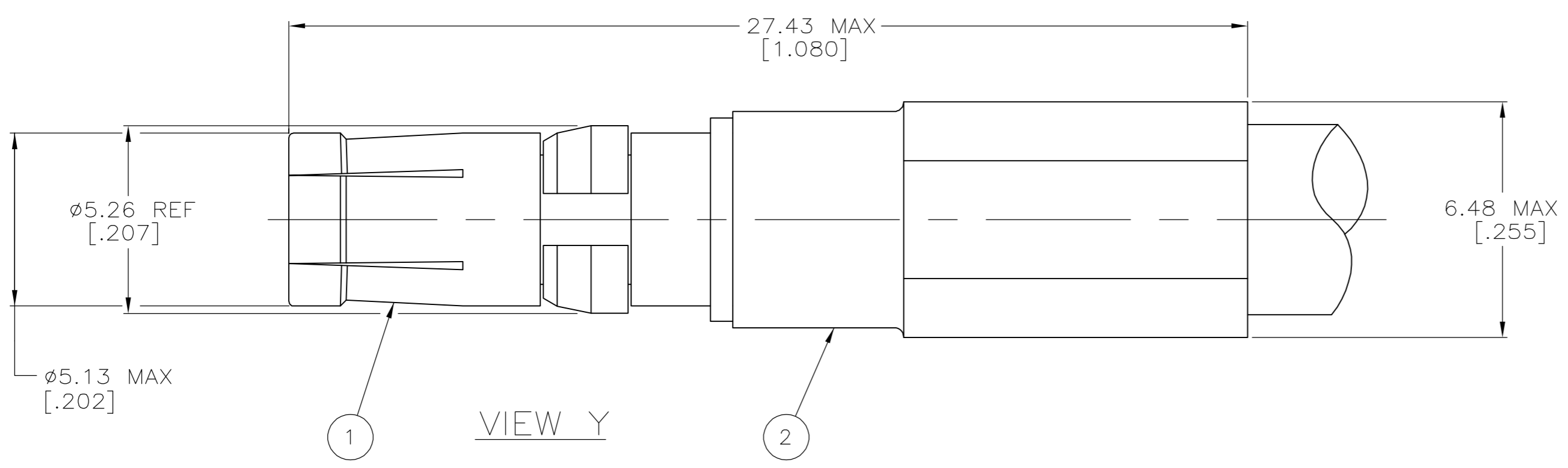


THIS DRAWING IS UNPUBLISHED. RELEASED FOR PUBLICATION - .N/A .  
 © COPYRIGHT N/A BY TYCO ELECTRONICS CORPORATION. ALL RIGHTS RESERVED.

LOC	DIST	REVISIONS					
DF	X0	P	LTR	DESCRIPTION	DATE	DWN	APVD
		R		REV PER 0H14-0279-05	09-05	AA	DM



- 1. FOR USE WITH: RG-142/U, 142A/U, 142B/U, 58A/U & 400/U, BELDIN 9246
- 2. SEE I.S. 6755.
- 3. USE HAND TOOL: 69710-2  
PNEUMATIC TOOL: 69365-8  
EXTRACTION TOOL: 58095-1
- 4. IMPEDANCE: 31 OHMS APPROXIMATELY.



OBSOLETE

58212-1	1	9-221357-0	5-221358-1	Y	5-228596-4
59993-1	RG-179/U,179A/U,179B/U,187/U & 187A/U	9-228603-0	5-1757117-2	X	5-228596-2
59993-1	RG-174/U,188/U & 316/U	9-228603-0	5-1757117-1	X	5-228596-1
59993-1	RG-178/U,178A/U & 178B/U	221824-3	228622-3	X	228596-5
58212-1	1	221357-3	221358-1	Y	228596-4
59993-1	RG-188 TYPE DOUBLE BRAIDED	221205-3	228622-1	X	228596-3
59993-1	RG-179/U,179A/U,179B/U,187/U & 187A/U	228603-3	1757117-2	X	228596-2
59993-1	RG-174/U,188/U & 316/U	228603-3	1757117-1	X	228596-1
DIE SET	USE WITH CABLE	2 FERRULE	1 SOCKET ASSY	VIEW	PART NUMBER

THIS DRAWING IS A CONTROLLED DOCUMENT.

DWN	B.WERNER	26-AUG-91
CHK	D.DOYE	26-AUG-91
APVD	D.DOYE	26-AUG-91
PRODUCT SPEC	-	
APPLICATION SPEC	-	
WEIGHT	-	
CUSTOMER DRAWING	-	

**tyco Electronics** Tyco Electronics Corporation  
Harrisburg, Pa 17105-3608

SIZE	A2	CAGE CODE	00779	DRAWING NO	C=228596	RESTRICTED TO	-
SCALE	8:1	SHEET	1	OF	1	REV	R