

AGGANCIAMENTO SECONDARIO, COLORE ROSSO, PRE-ASSEMBLATO (SECONDARY LOCK, RED COLOUR, IN PRE-ASSEMBLED POSITION)

OBSOLETE	GRIGIO (GREY)	PA 6.6 CAR. VETRO	282090-2
	NERO (BLACK)	(PA 6.6 G.F.)	282090-1
	FINITURA / COLORE (FINISH / COLOUR)	MATERIALE (MATERIAL)	NUMERO (PART NUMBER)

CUSTOMER DWG. FOR REFERENCE ONLY		DISEGNO PER CLIENTE SOLO PER RIFERIMENTO	
THIS DRAWING IS UNPUBLISHED -		RELEASE FOR PUBLICATION	
© COPYRIGHT 19 BY AMP INCORPORATED, HARRISBURG, PA. ALL INTERNATIONAL RIGHT RESERVED. AMP PRODUCTS MAY BE COVERED BY U.S. AND FOREIGN PATENT AND/OR PATENT PENDING			
TOLLERANZE, SE NON DIVERSAMENTE SPECIFICATO (TOLERANCES, UNLESS OTHERWISE SPECIFIED)	DIAM. ISOLANTE (INS. DIA. RANGE)	RANGO FILO (WIRE RANGE)	SCALA (SCALE)
± 0.3	-	-	-
AMP AMP ITALIA S.p.A. Corso F.lli Cervi, 15 COLLEGGNO (TORINO)			
DESCRIZIONE (DESCRIPTION)		6 POS. PLUG ASS'Y	
AMP SUPERSEAL 1.5 SERIES CONNECTORS		LOC. SIZE	NUMERO (DWG NO)
REV. (REV.)		FOGLIO (SHEET)	1

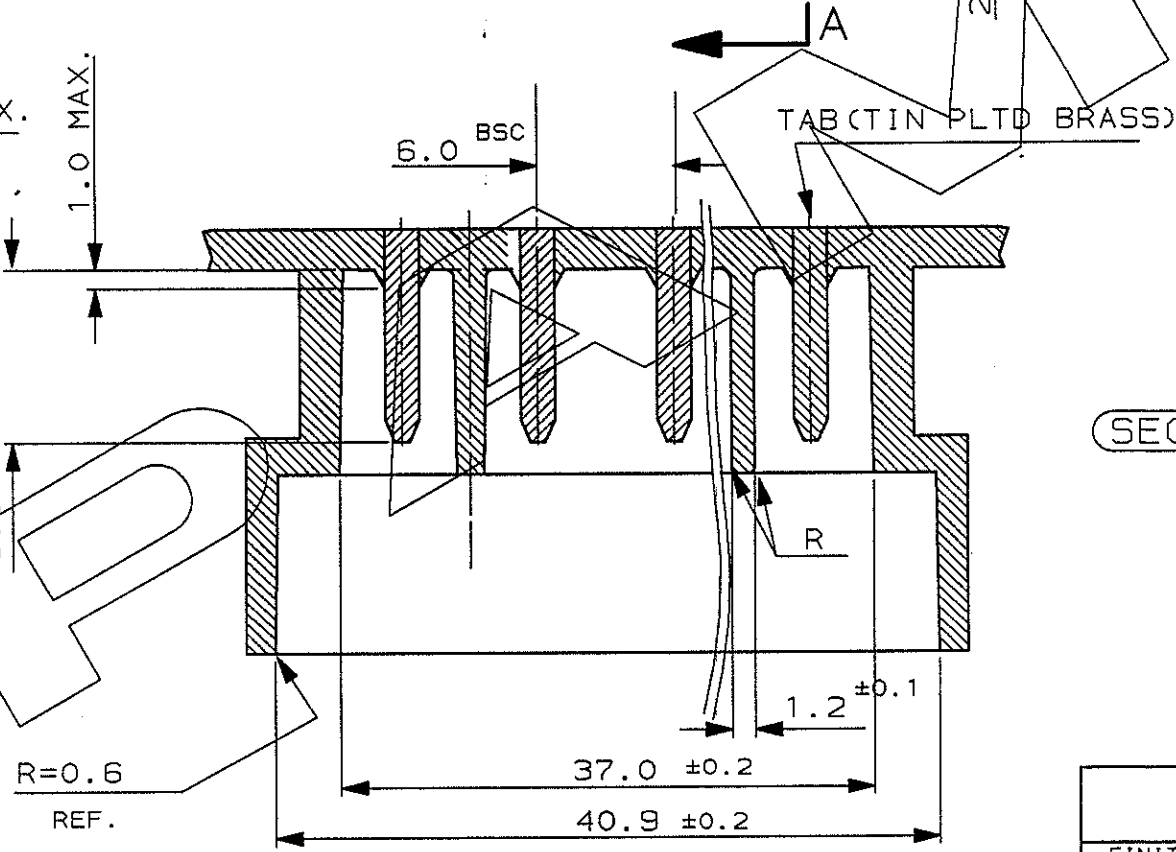
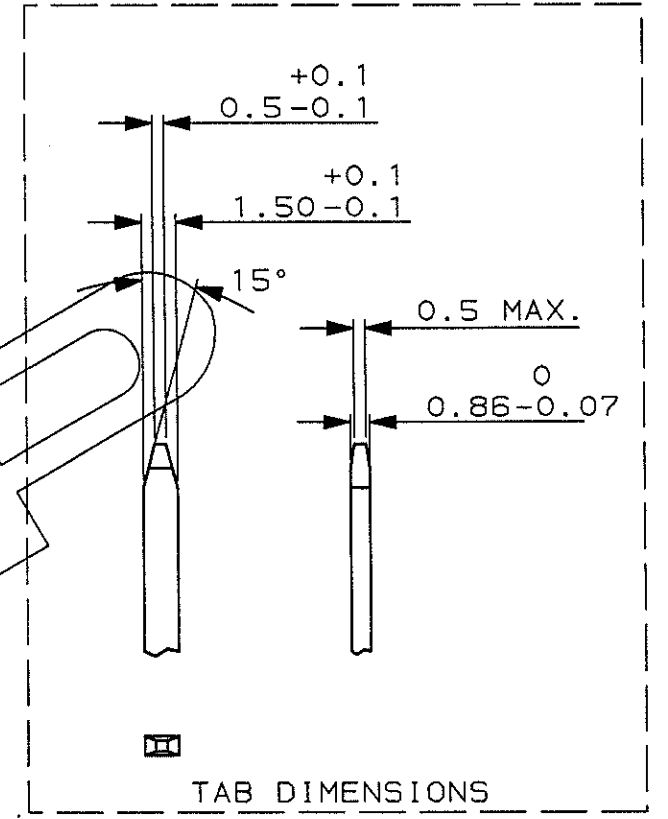
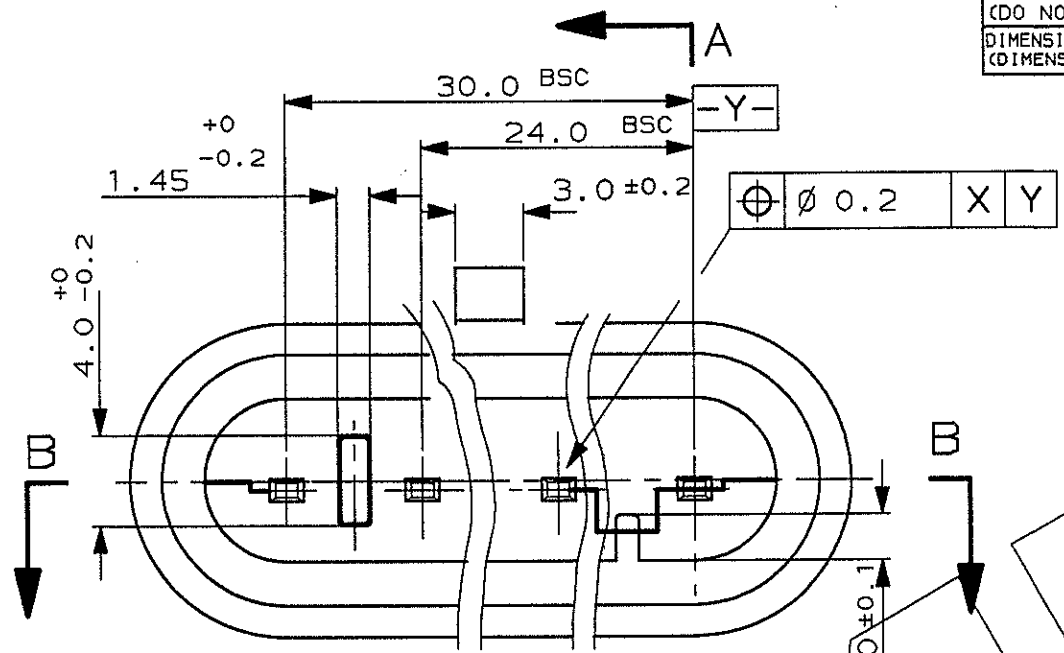
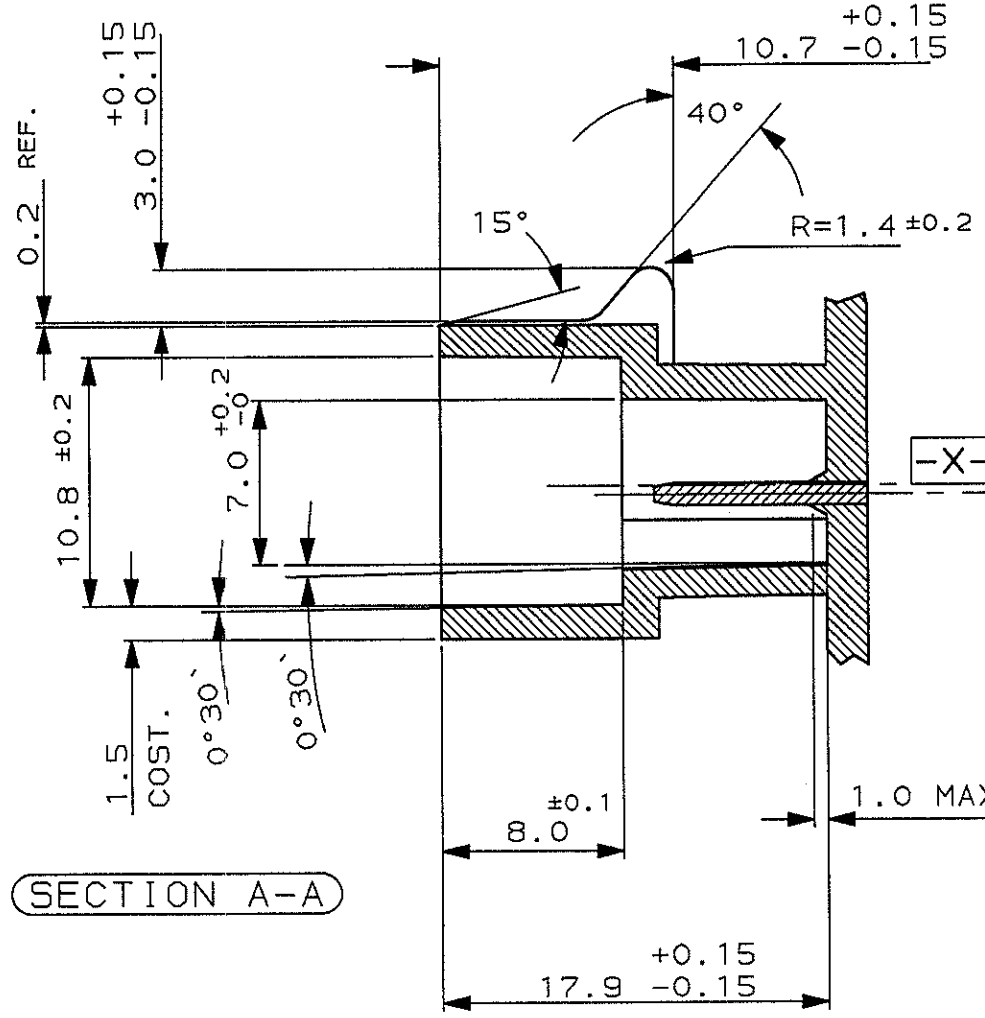
REV.	REVISIONI	DIS. DATA (APP.)
D	Revised FOR ET00-0072-38	M.P. 7-4 '98
C	obsolete P/N -2:ET00-0242-97	MP 23-7 '97
A1	UP DATED (ET00-0342-96)	C B 9-96
A	SEE SHEET 2 of 2	C B 9-96
7	DRAFTING CHANGES	C B 12 '93
6	UP-DATED	C B 3 '93
5	UP-DATED	C B 10 '92
4	ADDED PN ...-2	C B 8 '92
3	UP-DATED	C B 1 '92
2	UP-DATED	C B 7 '90

DISTRIBUZIONE INT. DIST.

SCALA NON IMPEGNATIVA
(DO NOT SCALE)
DIMENSIONI IN mm
(DIMENSIONS IN IN)

METRIC

PROIEZIONE EUROPEA
(EUROPEAN PROJECTION)



AMP

SECTION B-B

FINITURA / COLORE (FINISH / COLOUR)	G.F PA 6 6	MATERIALE (MATERIAL)	NUMERO (PART NUMBER)
--	---------------	-------------------------	-------------------------

CUSTOMER DWG. FOR REFERENCE ONLY / DISEGNO PER CLIENTE SOLO PER RIFERIMENTO

THIS DRAWING IS UNPUBLISHED / RELEASE FOR PUBLICATION

© COPYRIGHT 19 BY AMP INCORPORATED, HARRISBURG, PA. ALL INTERNATIONAL RIGHT RESERVED. AMP PRODUCTS MAY BE COVERED BY U.S. AND FOREIGN PATENT AND/OR PATENT PENDING

TOLLERANZE, SE NON DIVERSAMENTE SPECIFICATO (TOLERANCES, UNLESS OTHERWISE SPECIFIED)	DIAM. ISOLANTE (INS. DIA. RANGE)	RANGO FILO (WIRE RANGE)	SCALA (SCALE)
± 0.3	-	-	-

ANGOLI (ANGLES) ± 12°
DIS. C. BERTINI
CON. (CHK)

DESCRIZIONE (DESCRIPTION) COUNTERPART FOR SIX POS. REC. HSG. ASS'Y

REV. (REV.)	REVISIONI (REVISION RECORD)	DIS. DATA (DR. DATE)	LOC. SIZE NUMERO (DWG NO)	REV.	FOGLIO (SHEET)
-	-	-	I A3 C-282090	-	2 (OF) 2

SEE SHEET 1 OF 2	C	B
APP. (APP.)	-	-