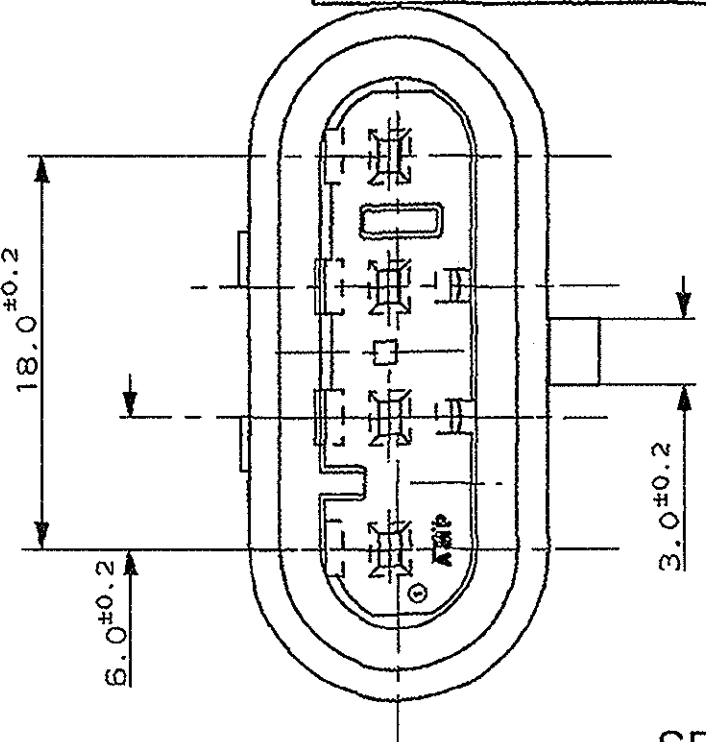
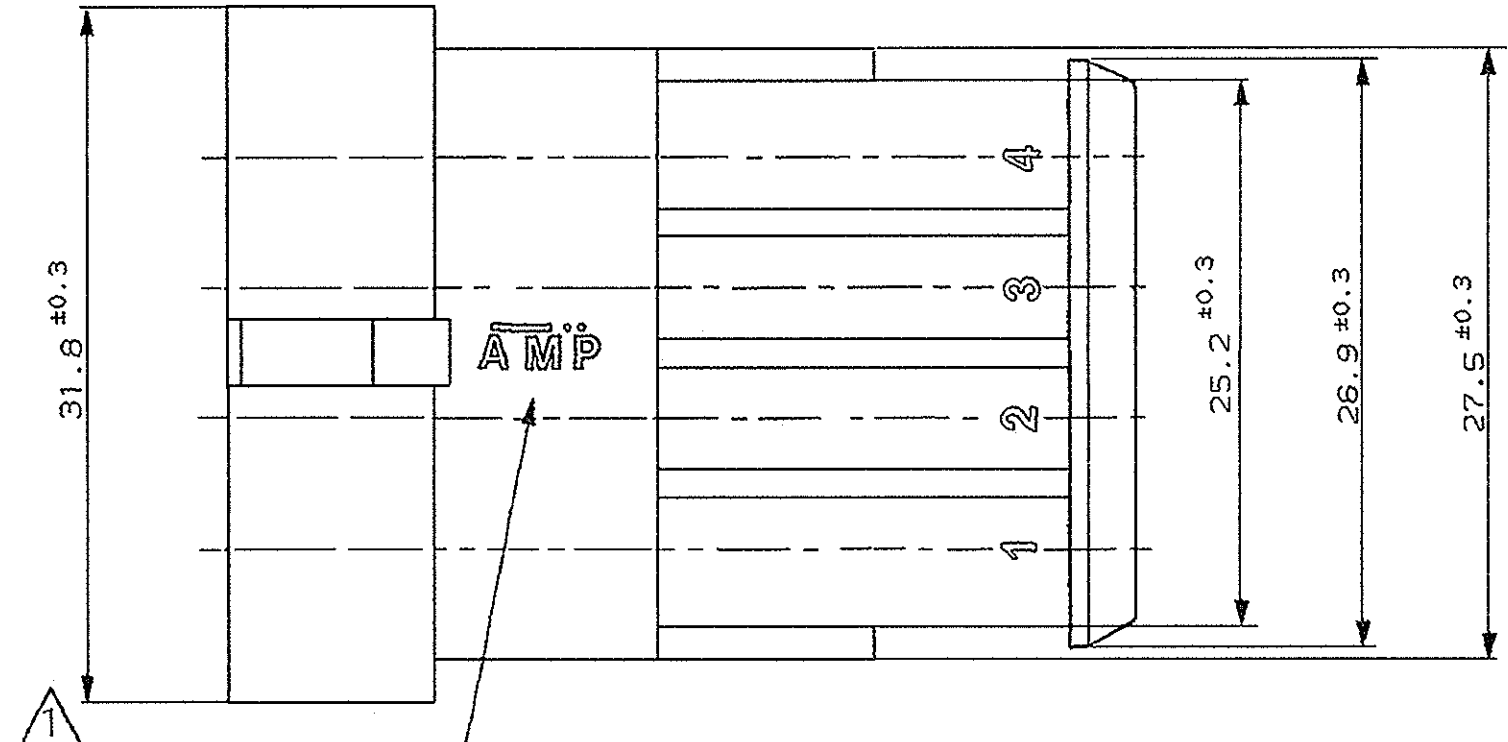


1 2 3 4 5 6 7 8

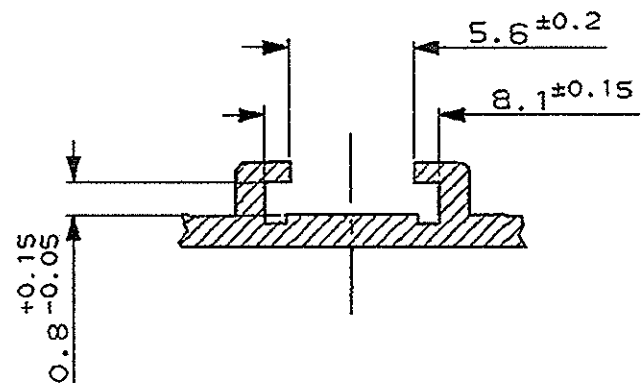
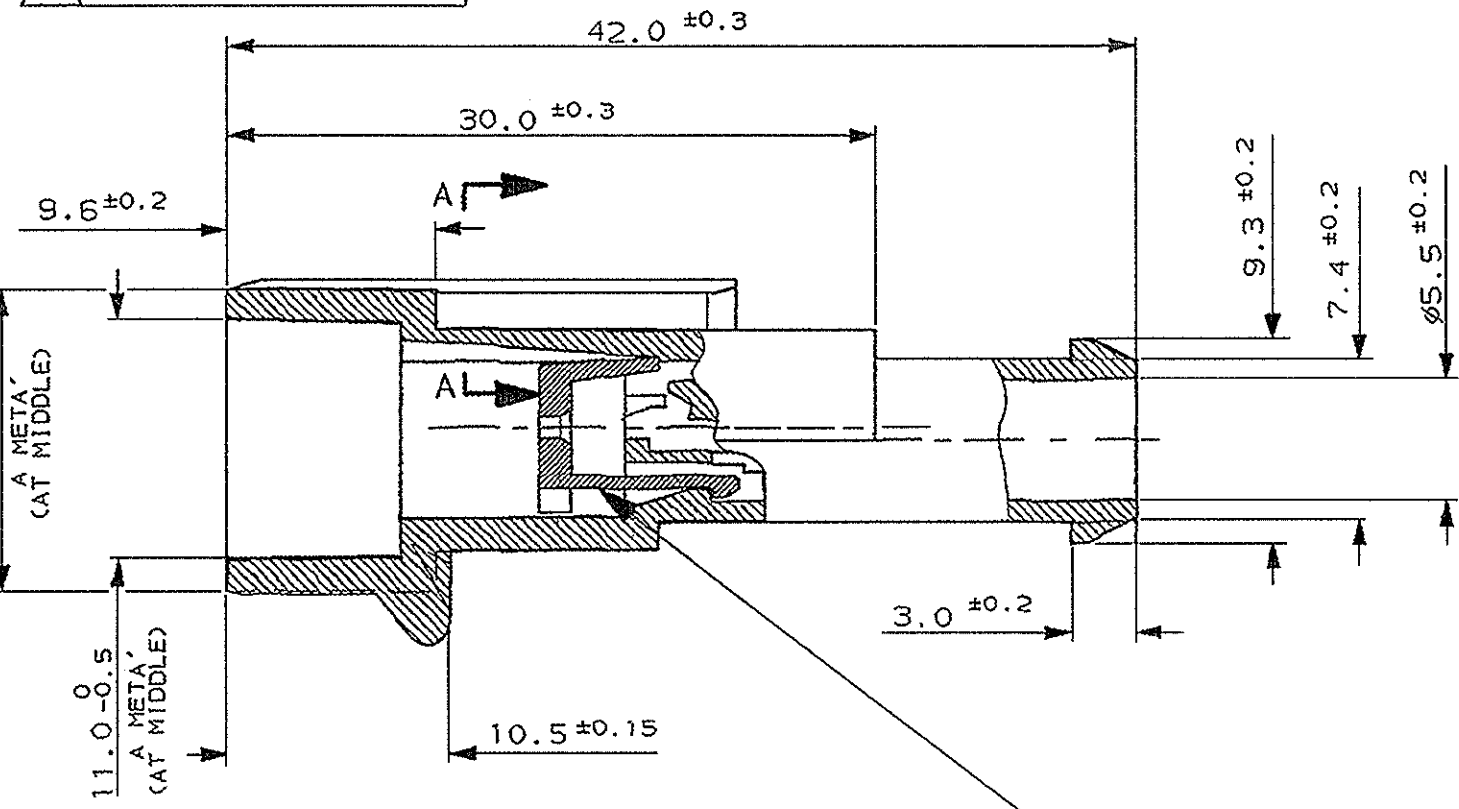
SCALA NON IMPEGNATIVA  
(DO NOT SCALE)  
DIMENSIONI IN  
(DIMENSIONS IN) mm

**METRIC**

PROIEZIONE EUROPEA  
(EUROPEAN PROJECTION)



SEZ. PARZ. A-A  
(PART. SECT. A-A)



AGGANCIAMENTO SECONDARIO, COLORE ROSSO, PRE-ASSEMBLATO  
(SECONDARY LOCK, RED COLOUR, IN PRE-ASSEMBLED POSITION)

LOGO "AMP" O, IN ALTERNATIVA, LOGO "TYCO"  
("AMP" TRADE MARK OR, IN ALTERNATIVE, "TYCO" TRADE MARK)

GRIGIO (GREY)	PA 6.6 CAR. VETRO	282106-2
NERO (BLACK)	(PA 6.6 G.F.)	282106-1
FINITURA / COLORE (FINISH / COLOUR)	MATERIALE (MATERIAL)	NUMERO (PART NUMBER)

CUSTOMER DWG. FOR REFERENCE ONLY      DISEGNO PER CLIENTE SOLO PER RIFERIMENTO

THIS DRAWING IS UNPUBLISHED      RELEASE FOR PUBLICATION      19

© COPYRIGHT 19 BY AMP INCORPORATED, HARRISBURG, PA. ALL INTERNATIONAL RIGHT RESERVED. AMP PRODUCTS MAY BE COVERED BY U.S. AND FOREIGN PATENT AND/OR PATENT PENDING

B	REVISED PER ECR-07-020914	M.G.	04-09 2007
A4	REVISED PER ET00-0120-04	P.Z. R.M.	08-06 2004
A3	REVISED PER ET00-0008-04	P.Z. R.M.	20-01 2004
A2	REVISED FOR ET00-0264-01	M.G.	07-02 2002
A1	REVISED FOR ET00-0072-98	M.P.	07-04 1998
A	01H.S 25.2 & 27.2 WERE 25.0 & 28.0 (ECON ET00 0013-95)	AB	26-1 95
5	UP-DATED	C.B.	10-92
4	ADDED PN .-.2	C.B.	8-92
REV.	REVISIONI (REVISION RECORD)	DIS. DATA (DR)	APP. DATA (APP.)

TOLLERANZE, SE NON DIVERSAMENTE SPECIFICATO (TOLERANCES, UNLESS OTHERWISE SPECIFIED)	DIAM. ISOLANTE (INS. DIA. RANGE)	RANGO FILO (WIRE RANGE)	SCALA (SCALE)
± 0.3	-	-	-

**Tyco Electronics** Tyco Electronics AMP Italia S.p.A.  
C.so F.lli Cervi, 15 - Collegno (TO)

DESCRIZIONE  
(DESCRIPTION) 4 POS TAB ASS'Y  
AMP SUPERSEAL 1.5 SERIES CONNECTORS

LOC. SIZE	NUMERO COMB. NO.	REV.	FOLIO (SHEET)
I A3	C-282106	B	1 OF 1

DISTRIBUZIONE  
(PRINT DIST.)