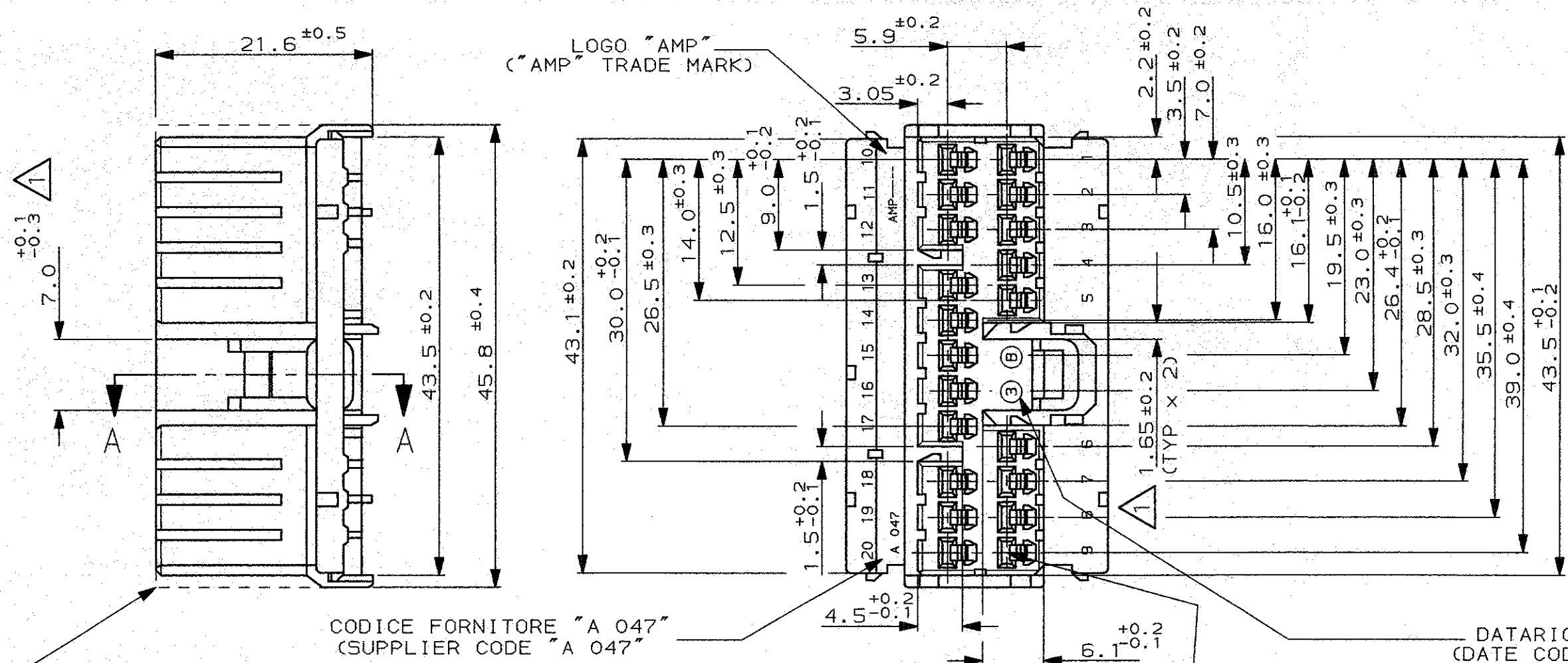


DWG. NO. C-282369

USED ON

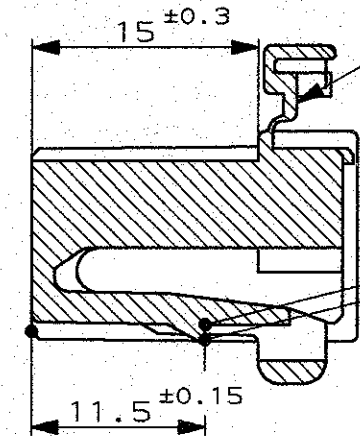


PER VERSIONI POLARIZZATE VEDERE DETTAGLIO (SEE DETAIL FOR POLARIZATION VERSION)

CODICE FORNITORE "A 047" (SUPPLIER CODE "A 047")

DATARIO (DATE CODE)

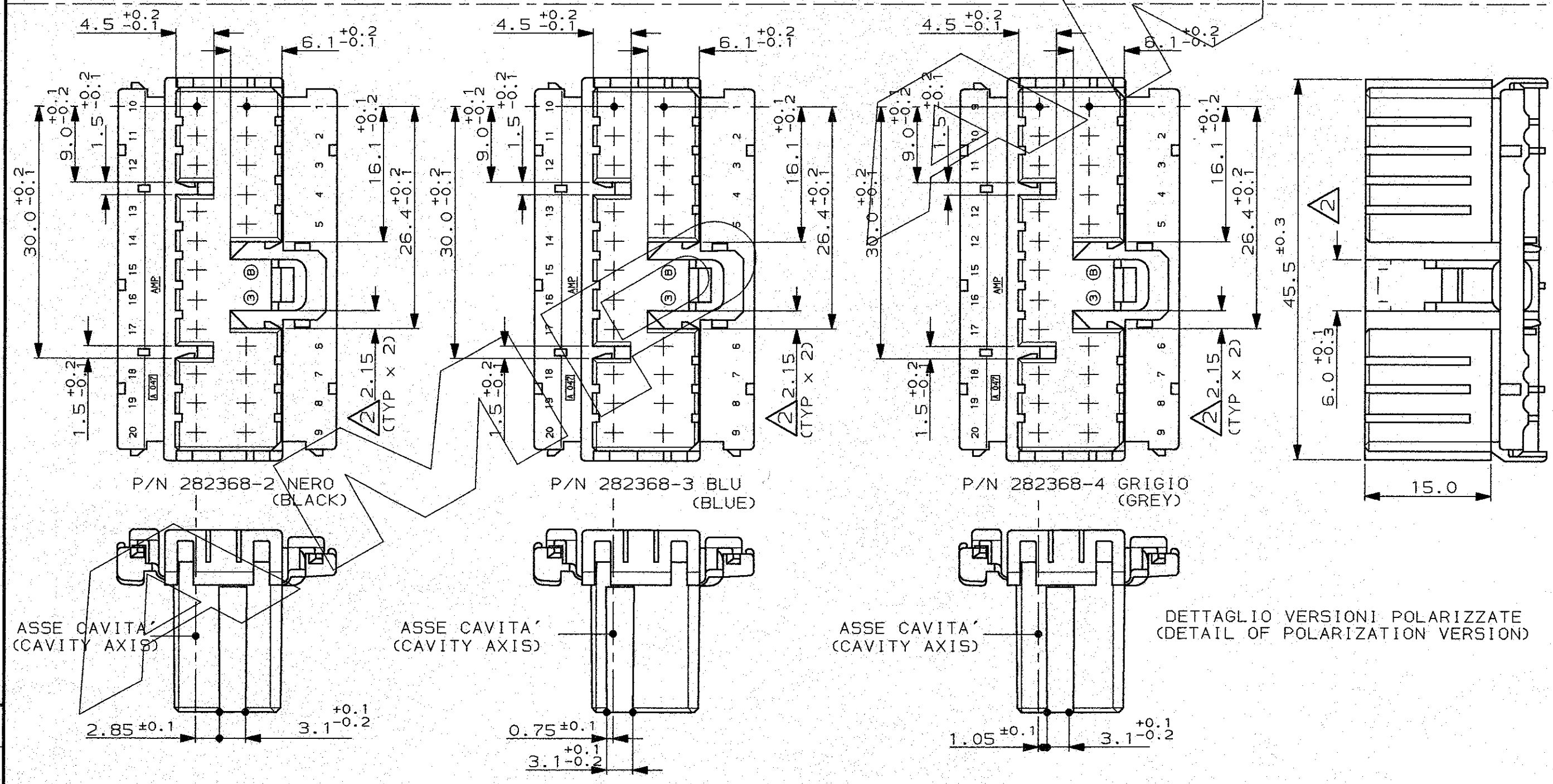
CAVITA' ADATTA PER CONTATTI CON CODICE FIAT:  
 (TYP. CAVITY FOR CONTACT WITH FIAT NO.)  
 1-23197-44 SEZ. 0.3-0.5 mm<sup>2</sup>  
 1-24834-44 SEZ. 0.75-1.5 mm<sup>2</sup>



NO. DI IMPRONTA STAMPO (MOULD CAVITY IDENTIF. NO.)

NUM. DI CAVITA' (CIRCUIT. IDENTIF. NO.)

THIS INFORMATION IS CONFIDENTIAL AND IS DISCLOSED TO YOU ON CONDITION THAT NO FURTHER DISCLOSURE IS MADE BY YOU TO OTHER THAN AMP PERSONNEL WITHOUT WRITTEN AUTHORIZATION FROM AMP ITALIA S.p.A.



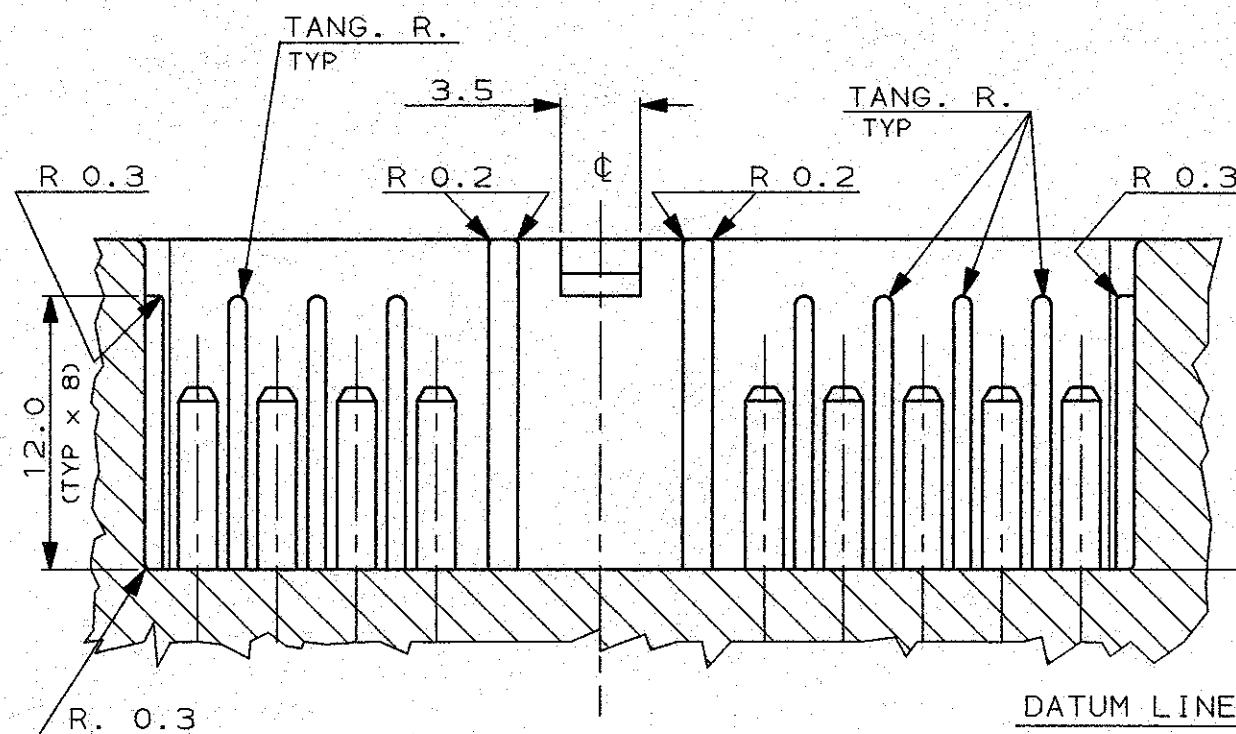
- 1) QUOTA VALIDA SOLO PER VERSIONE 282369-1 (VALID DIMENSION ONLY FOR 282369-1 VERSION)
- 2) QUOTA VALIDA PER VERSIONI POLARIZZATE P/N 282369-2; -3; -4 (VALID DIMENSION ONLY FOR P/N 282369-2; -3; -4 VERSION)
- 3) PER RAPPRESENTAZIONE DIMA CONTROPARTE VEDERE FOGLIO 2 DI 2. (FOR COUNTERPART DETAIL SEE SHEET 2 OF 2)

282526-4 VERS. VERTICALE (VERTICAL VERS.)	NON DISPONIBILE (NOT AVAILABLE)	GRIGIO (GREY)	PBT (PBT UNFILLED)	282369-4
282526-3 VERS. VERTICALE (VERTICAL VERS.)	NON DISPONIBILE (NOT AVAILABLE)	BLU (BLUE)		282369-3
282526-2 VERS. VERTICALE (VERTICAL VERS.)	NON DISPONIBILE (NOT AVAILABLE)	NERO (BLACK)		282369-2
282632-1 VERS. ORIZZONTALE (HORIZONTAL VERS.) 282526-1 VERS. VERTICALE (VERTICAL VERS.)	174936-1 VERSIONE STANDARD (STANDARD VERSION) 174938-1 MONTAG. SU PANNELLO (FOR PANEL MOUNT)	BIANCO (NATURAL)		282369-1
CONTROP. P.C.B. (P.C.B. HEADER ASSY)	PORTAMASCHI VOLANTE (CAP HOUSING)	COLORE (COLOUR)	MATERIALE (MATERIAL)	NUMERO (PART NUMBER)
CUSTOMER DWG. FOR REFERENCE ONLY		DISEGNO PER CLIENTE SOLO PER RIFERIMENTO		
THIS DRAWING IS UNPUBLISHED		RELEASE FOR PUBLICATION		
© COPYRIGHT 1987 BY AMP INCORPORATED, HARRISBURG, PA. ALL INTERNATIONAL RIGHTS RESERVED. AMP PRODUCTS MAY BE COVERED BY U.S. AND FOREIGN PATENT AND/OR PATENT PENDING				
TOLLERANZE: SE NON DIVERSAMENTE SPECIFICATO (TOLERANCES: UNLESS OTHERWISE SPECIFIED)		DIAM. ISOLANTE (INS. DIA. RANGE)		SCALA (SCALE)
		RANGO FILO (WIRE RANGE)		2:1
C REVISO FOR ET100-0298-97 M.P. 29-7-97		AMP ITALIA S.p.A. Corso F.lli Cervi, 15 COLLEGNO (TORINO)		
A IN PRODUZIONE M.P. 29-7-97		DESCRIZIONE (DESCRIPTION) 070 SERIES MULTILOCK* CONN. PLUG HOUSING 20 POSITION (PORTAFEMMINA) DOUBLE ROW		
2 AGG. CODICE FIAT R.M. 25-10-93		LOC. SIZE NUMERO (DWG NO)		
1 RIDISEGN. E AGGIORNATO R.M. 1-3-93		REV. (REVISION)		
0 PRIMA EMISSIONE L.G. 25-4-92		FOGLIO (SHEET) DI (OF) 2		
REV. (REVISION)	DIS. DATA (DR DATE)	APP. (APP.)	I A2 C-282369 C 1	

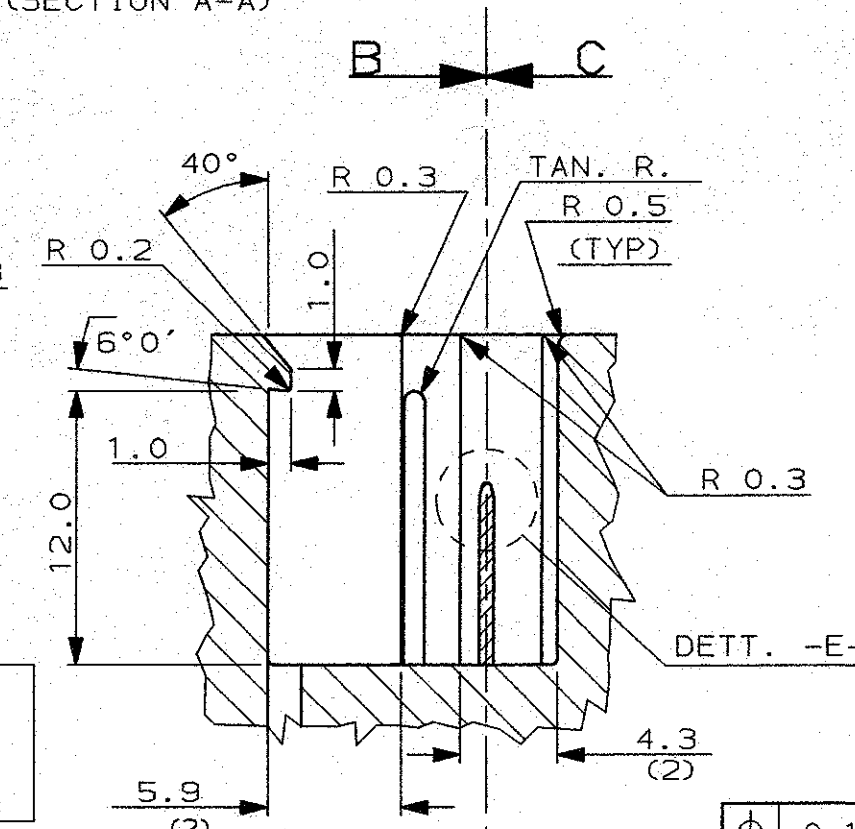
DWG. NO. C-282369

USED ON

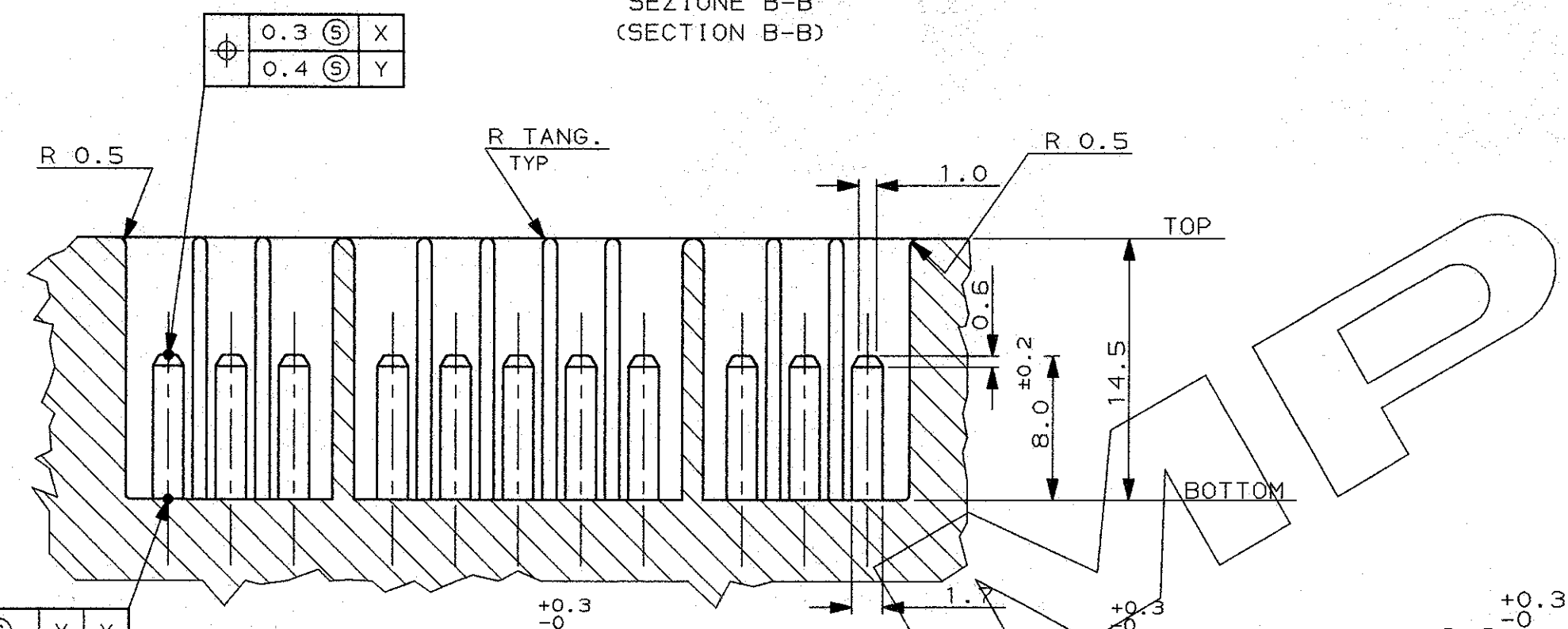
SEZIONE C-C (SECTION C-C)



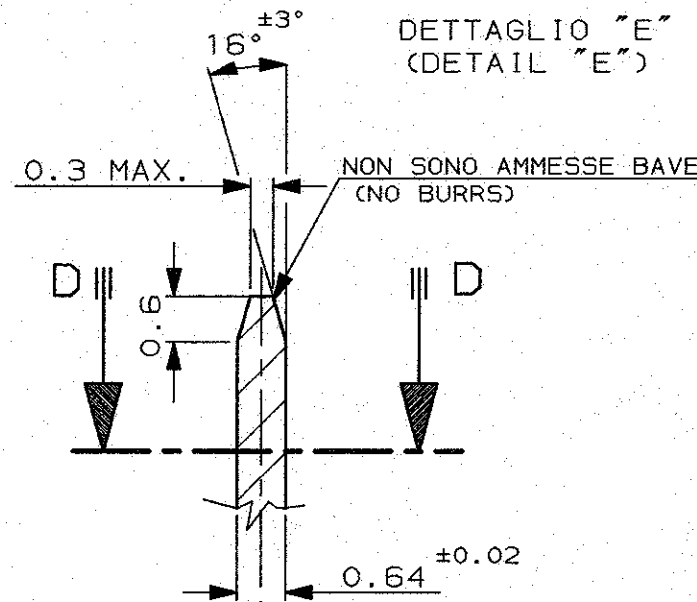
SEZIONE A-A (SECTION A-A)



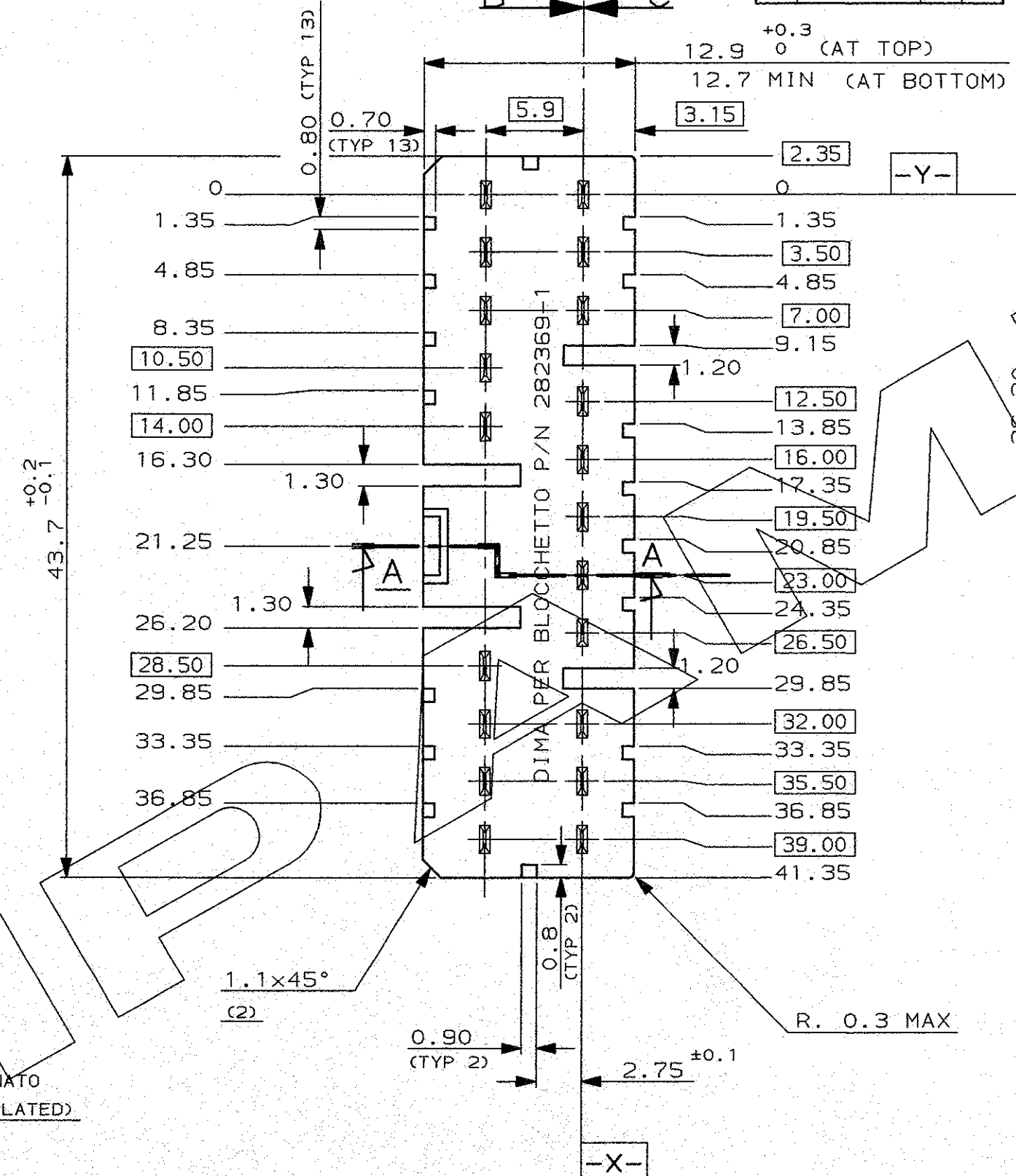
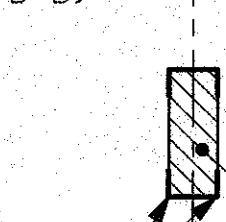
SEZIONE B-B (SECTION B-B)



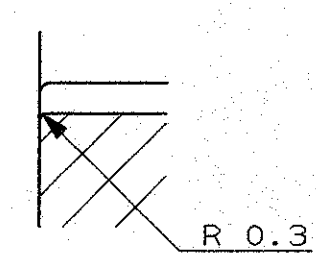
DETTAGLIO "E" (DETAIL "E")



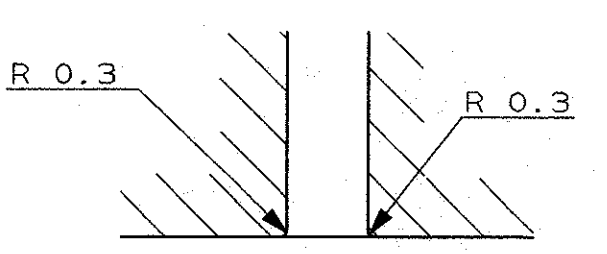
SEZIONE D-D (SECTION D-D)



SEZIONE G-G (SECTION G-G)



SEZIONE F-F (SECTION F-F)



THIS INFORMATION IS CONFIDENTIAL AND IS DISCLOSED TO YOU ON THE CONDITION THAT NO INFORMATION IS TO BE MADE PUBLIC OR DISCLOSED TO OTHERS WITHOUT THE WRITTEN AUTHORIZATION FROM AMP ITALIA S.P.A.

TAB. OTTONE TEMPRA 4, STAGNATO (TAB. BRASS TEMPER 4, TIN PLATED)

CONIARE LE BAVE DI TRINCIATURA (NO TRIMMING BURRS ADMITABLE)

DO NOT SCALE		UNLESS OTHERWISE SPECIFIED	
REMOVE BURRS BREAK EDGES	METRIC (mm) INCHES (")		
SURFACE TEXTURE			
G. TY REQ. 'D' PER UNIT			
MAT.	EUROPEAN PROJECTION	THIRD ANGLE PROJECTION	
HT. TR.	0 DEC. PLACE ±0.3	2 DEC. PLACE ±0.02	
FINISH	1 DEC. PLACE ±0.1	3 DEC. PLACE ±0.03	
DR.	2 DEC. PLACE ±0.05	4 DEC. PLACE ±0.005	
CHK.	ANGLES ±0°30'		
APP.	SCALE	AMP ITALIA SpA	
REV. LTR.	3:1	Corso F.lli Cervi, 15 COLLENO (TORINO)	
		NAME	
		070 SERIES MULTILOCK* CONN 20 POS. DOUBLE ROW (DIME DI MONTAGGIO)	
		LOC. SIZE SHEET DWG. NO.	
		I A2 2 of 2 C-282369	