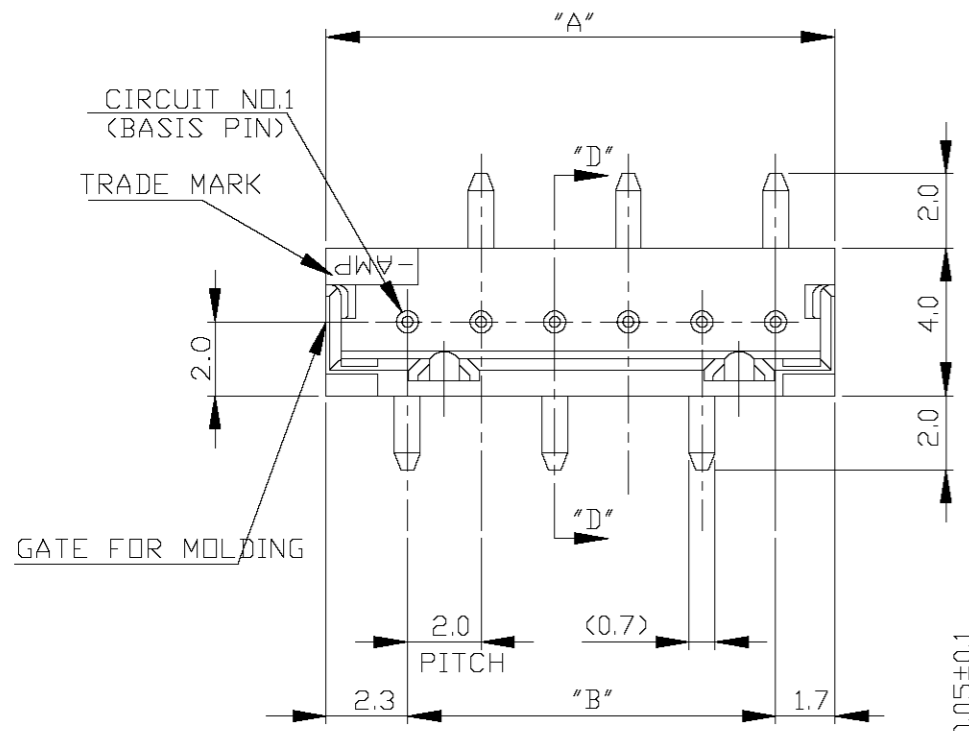
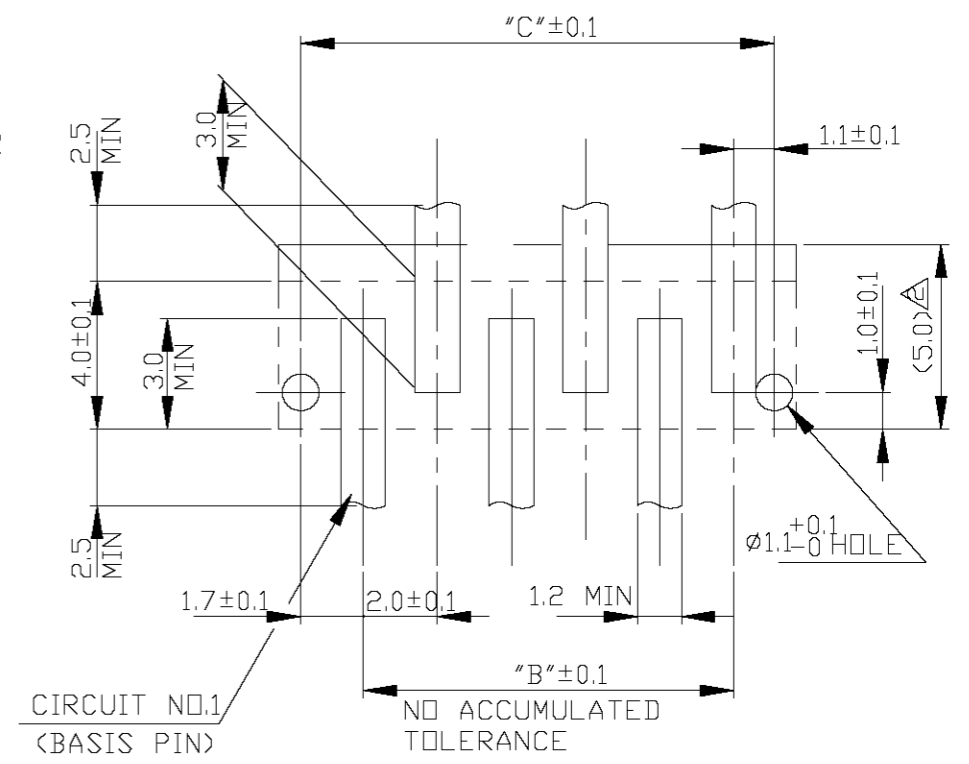
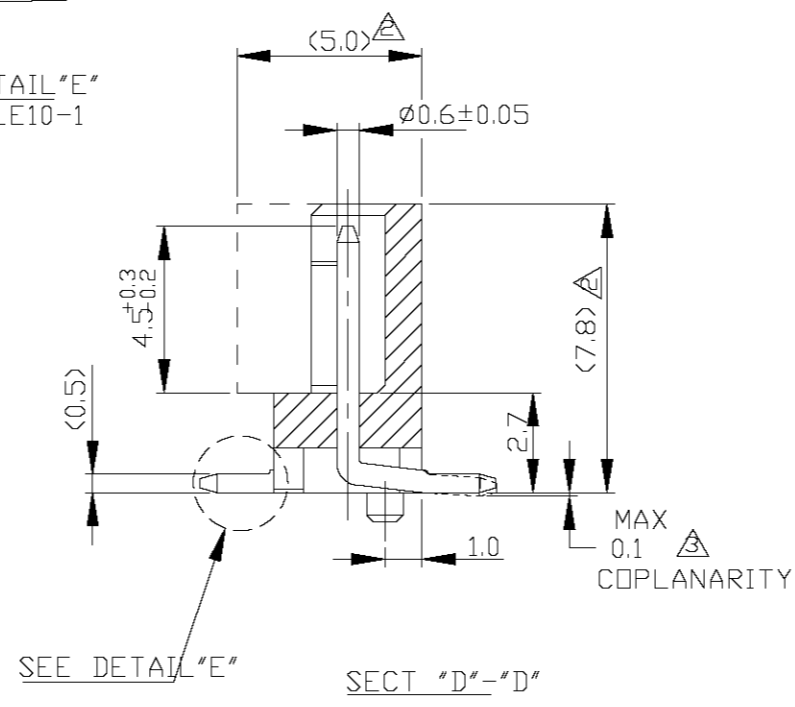
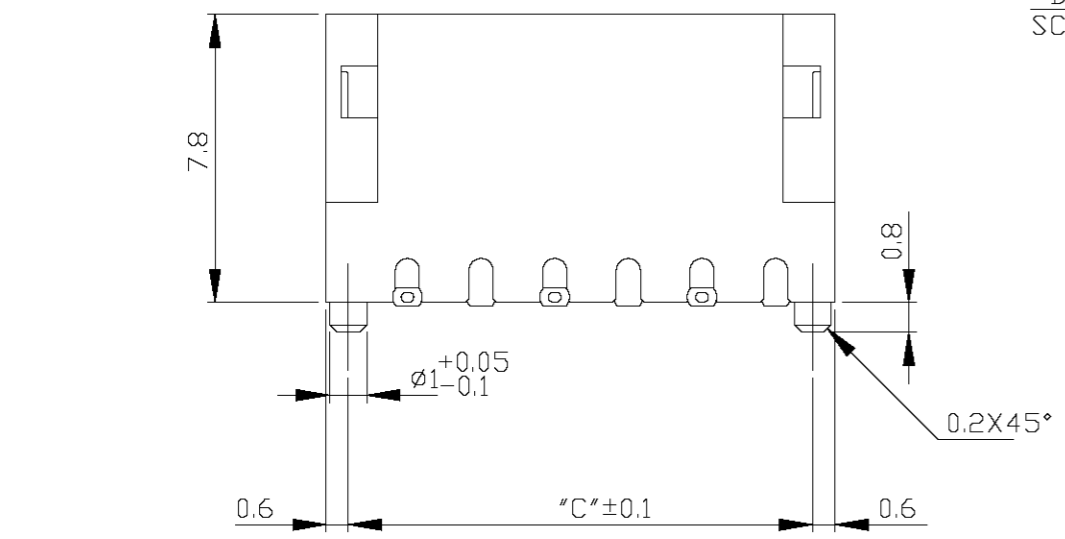
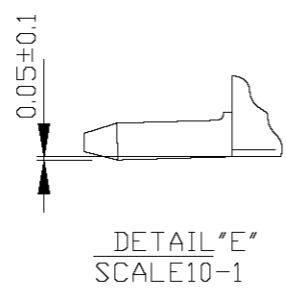


THIS DRAWING IS UNPUBLISHED. RELEASED FOR PUBLICATION
 © COPYRIGHT BY TYCO ELECTRONICS CORPORATION. ALL RIGHTS RESERVED.

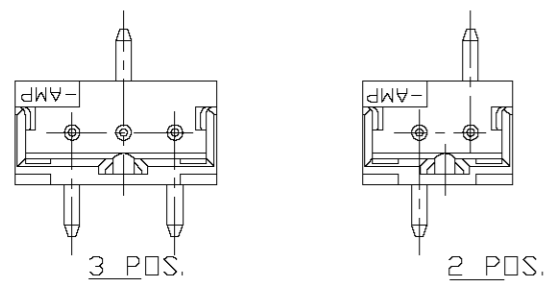
LOC		DIST		REVISIONS					
FB		00		P	LTR	DESCRIPTION	DATE	DWN	APVD
				A	REVISED	ECR-05-000512	19JAN06	C.W	S.Y



- MATERIAL: HOUSING-6T PA G.F.30%(UL94V0)
COLOR- BLACK OR NATURAL
POST- TIN BRASS
- △ OCCUPANT AREA ON PC BOARD
(AFTER CONNECTOR MATING)
- △ TO BE MEASURED WITH CONNECTOR PLCD ON
HORIZONTAL DATUM SURFACE, FLOAT OF SOLDER
TINE FROM DATUM SURFACE IS 0.1mm MAX.
- TUBE P/N 8-720999-6
- PRODUCT MUST COME OUT SMOOTHLY FROM
TUBE AT INCLINING THE TUBE TO 45°



QTY'S/ TUBE	"A"	"B"	"C"	POS.	NATURAL	BLACK
20	20.0	16.0	18.8	9	6-292171-9	292171-9
25	18.0	14.0	16.8	8	6-▲-8	▲-8
30	16.0	12.0	14.8	7	6-▲-7	▲-7
30	14.0	10.0	12.8	6	6-▲-6	▲-6
40	12.0	8.0	10.8	5	6-▲-5	▲-5
45	10.0	6.0	8.8	4	6-▲-4	▲-4
60	8.0	4.0	6.8	3	6-▲-3	▲-3
80	6.0	2.0	4.8	2	6-292171-2	292171-2



TOLERANCES UNLESS OTHERWISE SPECIFIED:
 10>>* : ±0.2
 30>>*10 : ±0.25
 100>>*30 : ±0.3
 ANGEL : ±3°

THIS DRAWING IS A CONTROLLED DOCUMENT.

DIMENSIONS: mm	TOLERANCES UNLESS OTHERWISE SPECIFIED: 0 PLC ± 1 PLC ±- 2 PLC ±- 3 PLC ±- 4 PLC ±- ANGLES ±-	DWN J.JIANG 23JAN03	 Tyco Electronics Corporation Harrisburg, Pa 17105-3608
MATERIAL	FINISH ±-	CHK S.YAO 23JAN03	
		APVD T.SASAKI 23JAN03	
		PRODUCT SPEC 108-60016	
		APPLICATION SPEC	NAME
		WEIGHT	TUBE PACKING AMP CT CONN POST HDR ASS'Y (STD-V SMT)
		CUSTOMER DRAWING	SIZE A3 CAGE CODE 00779 DRAWING NO C=292171 RESTRICTED TO
		SCALE 1:1	SHEET 1 OF 1 REV A