

THIS DRAWING IS UNPUBLISHED.

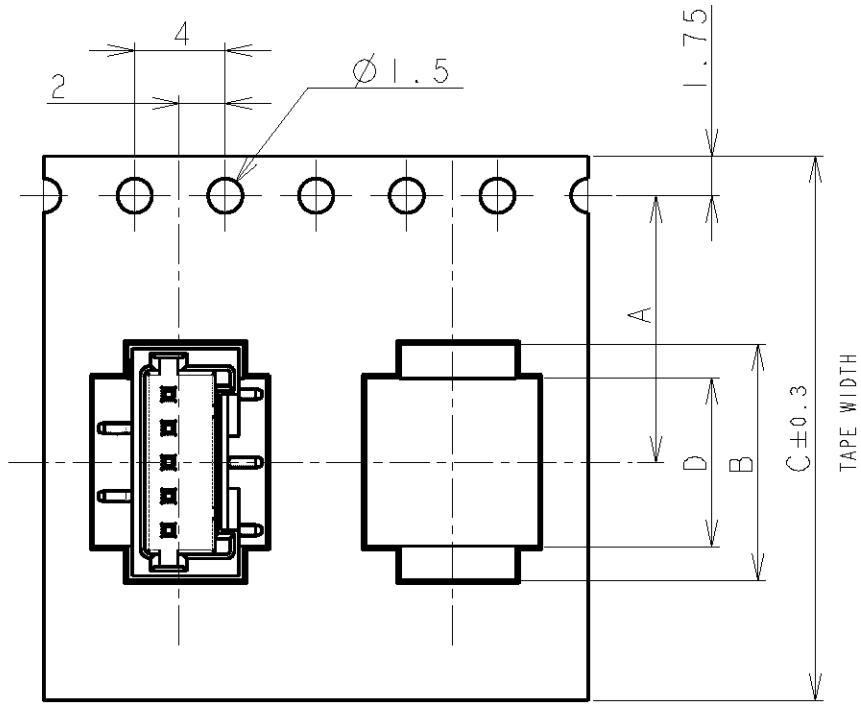
RELEASED FOR PUBLICATION

, 19

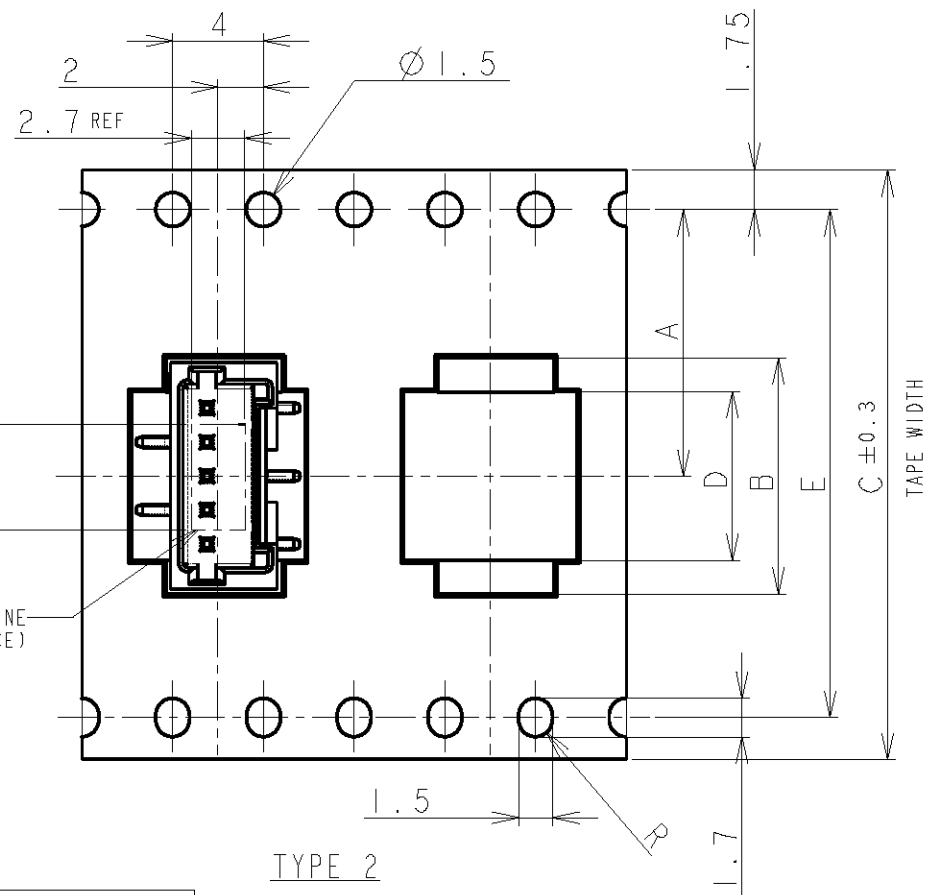
© COPYRIGHT 19

BY AMP INCORPORATED. ALL RIGHTS RESERVED.

LOC	DIST	REVISIONS				
P	LTR	DESCRIPTION	DATE	DWN	APVD	
FB	00	B	REVISED	ECR-05-000512	20JAN06	C.W.S.Y

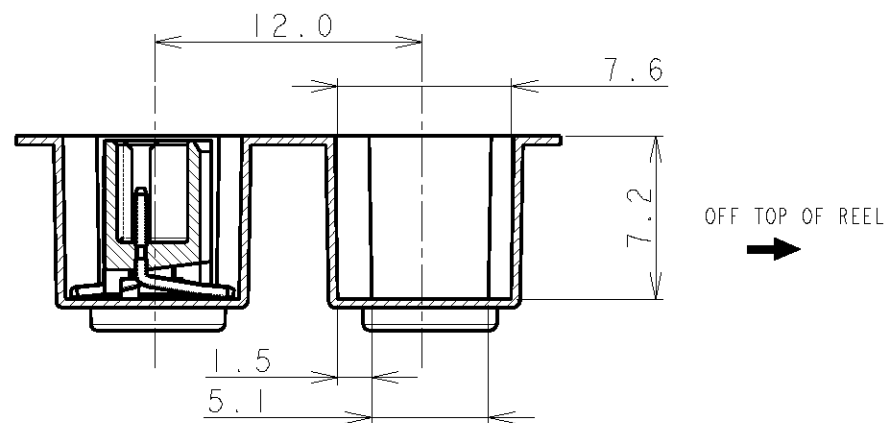
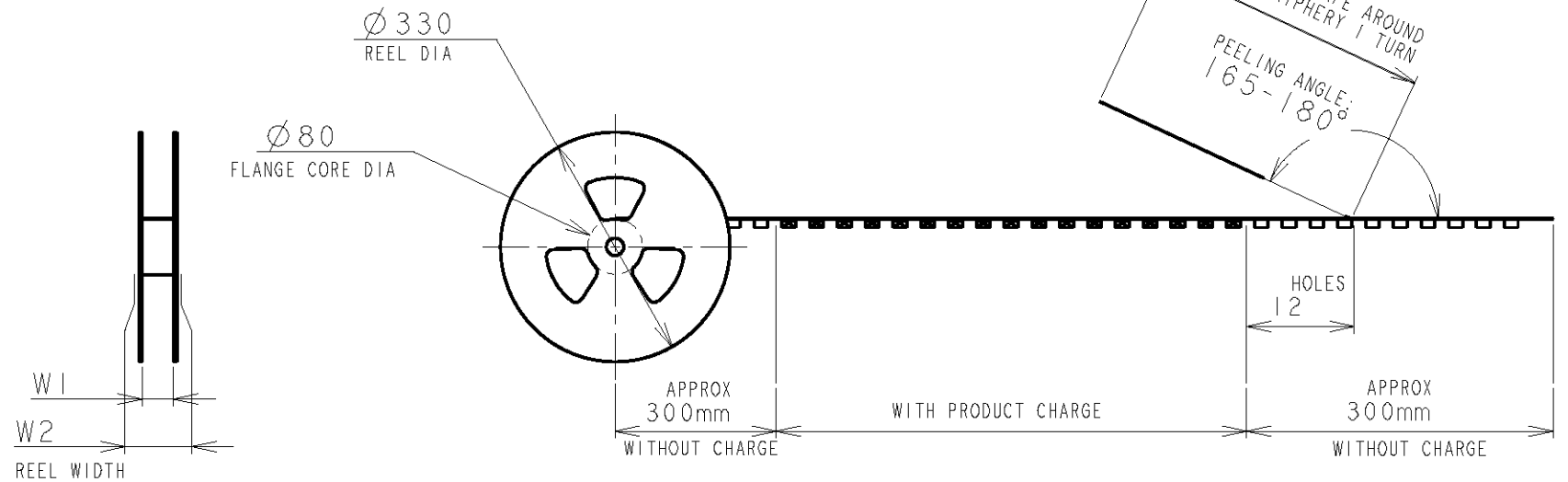
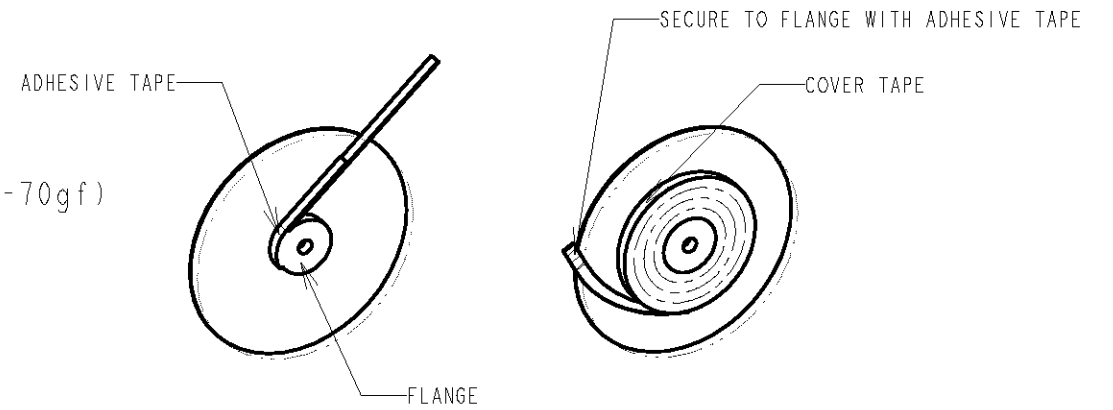


TYPE 1



TYPE 2

NOTE:
 1. PEELING STRENGTH: 0.20-0.69N (20-70gf)
 PEELING ANGLE: 165-180°
 PEELING SPEED: 300mm/MINUTE.



VACUUM NOZZLE OUTLINE (FOR REFERENCE)

TOLERANCES UNLESS OTHERWISE SPECIFIED:

- 10 > : ±0.2
- 30 > * > 10 : ±0.25
- 100 > * > 30 : ±0.3
- ANGLE : ±3°

THIS DRAWING IS A CONTROLLED DOCUMENT FOR AMP INCORPORATED. IT IS SUBJECT TO CHANGE AND THE CONTROLLING ENGINEERING ORGANIZATION SHOULD BE CONTACTED FOR THE LATEST REVISION.		DWN S. XU 31JAN03	tyco Electronics	Tyco Electronics Corporation SHANGHAI, CHINA	
DIMENSIONS: mm		CHK S. YAO 31JAN03		NAME AMP Mini Common Terminated (CT) Connector 1.5mm PITCH SINGLE ROW POST HDR ASS'Y (V) SMT TYPE WITH BOSS, EMBOSS TAPE PACKAGED	
TOLERANCES UNLESS OTHERWISE SPECIFIED: 0 PLC ± 1 PLC ± 2 PLC ± SEE L.H.S. 3 PLC ± 4 PLC ± ANGLES ±		APVD T. SASAKI 31JAN03	DRAWING NO C-292230		
MATERIAL		PRODUCT SPEC 108-60018	SIZE A3	CAGE CODE 00779	RESTRICTED TO
FINISH		APPLICATION SPEC 114-5223	DRAWING NO C-292230		REV B
		WEIGHT	SCALE NON		SHEET 1 OF 4
		CUSTOMER DRAWING			


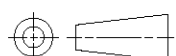
LOC	DIST	REVISIONS						
FB	00	P	LTR	DESCRIPTION	DATE	DWN	APVD	

TAPE TYPE	TYPE 2	W2	W1	F	E	D	C	B	A	QTY/ REEL	POS	COLOR	ON TAPE P/N
		DIMENSIONS											
		49.5	45.5	6.2	40.4	29.9	44	32.9	20.2±0.15	500	20	BLACK	7-292230-0
		49.5	45.5	4.7	40.4	28.4	44	31.4	20.2±0.15	500	19		6-292230-9
		49.5	45.5	6.2	40.4	26.9	44	29.9	20.2±0.15	500	18		6-292230-8
		49.5	45.5	4.7	40.4	25.4	44	28.4	20.2±0.15	500	17		6-292230-7
		49.5	45.5	6.2	40.4	23.9	44	26.9	20.2±0.15	500	16		6-292230-6
		49.5	45.5	4.7	40.4	22.4	44	25.4	20.2±0.15	500	15		6-292230-5
		49.5	45.5	6.2	40.4	20.9	44	23.9	20.2±0.15	500	14		6-292230-4
		49.5	45.5	4.7	40.4	19.4	44	22.4	20.2±0.15	500	13		6-292230-3
		37.5	33.5	6.2	28.4	17.9	32	20.9	14.2	500	12		6-292230-2
		37.5	33.5	4.7	28.4	16.4	32	19.4	14.2	500	11		6-292230-1
		37.5	33.5	6.2	28.4	14.9	32	17.9	14.2	500	10		6-292230-0
		37.5	33.5	4.7	28.4	13.4	32	16.4	14.2	500	9		5-292230-9
	TYPE 1	29.5	25.5	6.2	-	11.9	24	14.9	11.5	500	8		5-292230-8
		29.5	25.5	4.7	-	10.4	24	13.4	11.5	500	7		5-292230-7
		29.5	25.5	6.2	-	8.9	24	11.9	11.5	500	6		5-292230-6
		29.5	25.5	4.7	-	7.4	24	10.4	11.5	500	5		5-292230-5
		21.5	17.5	6.2	-	5.9	16	8.9	7.5	500	4		5-292230-4
		21.5	17.5	4.7	-	4.4	16	7.4	7.5	500	3		5-292230-3
		21.5	17.5	2.8	-	2.9	16	5.9	7.5	500	2	-	

TAPE TYPE	TYPE 2	W2	W1	F	E	D	C	B	A	QTY/ REEL	POS	COLOR	ON TAPE P/N
		DIMENSIONS											
		49.5	45.5	6.2	40.4	29.9	44	32.9	20.2±0.15	500	20	BEIGE	2-292230-0
		49.5	45.5	4.7	40.4	28.4	44	31.4	20.2±0.15	500	19		1-292230-9
		49.5	45.5	6.2	40.4	26.9	44	29.9	20.2±0.15	500	18		1-292230-8
		49.5	45.5	4.7	40.4	25.4	44	28.4	20.2±0.15	500	17		1-292230-7
		49.5	45.5	6.2	40.4	23.9	44	26.9	20.2±0.15	500	16		1-292230-6
		49.5	45.5	4.7	40.4	22.4	44	25.4	20.2±0.15	500	15		1-292230-5
		49.5	45.5	6.2	40.4	20.9	44	23.9	20.2±0.15	500	14		1-292230-4
		49.5	45.5	4.7	40.4	19.4	44	22.4	20.2±0.15	500	13		1-292230-3
		37.5	33.5	6.2	28.4	17.9	32	20.9	14.2	500	12		1-292230-2
		37.5	33.5	4.7	28.4	16.4	32	19.4	14.2	500	11		1-292230-1
		37.5	33.5	6.2	28.4	14.9	32	17.9	14.2	500	10		1-292230-0
		37.5	33.5	4.7	28.4	13.4	32	16.4	14.2	500	9		292230-9
	TYPE 1	29.5	25.5	6.2	-	11.9	24	14.9	11.5	500	8		292230-8
		29.5	25.5	4.7	-	10.4	24	13.4	11.5	500	7		292230-7
		29.5	25.5	6.2	-	8.9	24	11.9	11.5	500	6		292230-6
		29.5	25.5	4.7	-	7.4	24	10.4	11.5	500	5		292230-5
		21.5	17.5	6.2	-	5.9	16	8.9	7.5	500	4		292230-4
		21.5	17.5	4.7	-	4.4	16	7.4	7.5	500	3		292230-3
		21.5	17.5	2.8	-	2.9	16	5.9	7.5	500	2	-	

THIS DRAWING IS UNPUBLISHED.

COPYRIGHT BY TYCO ELECTRONICS CORPORATION. ALL RIGHTS RESERVED.

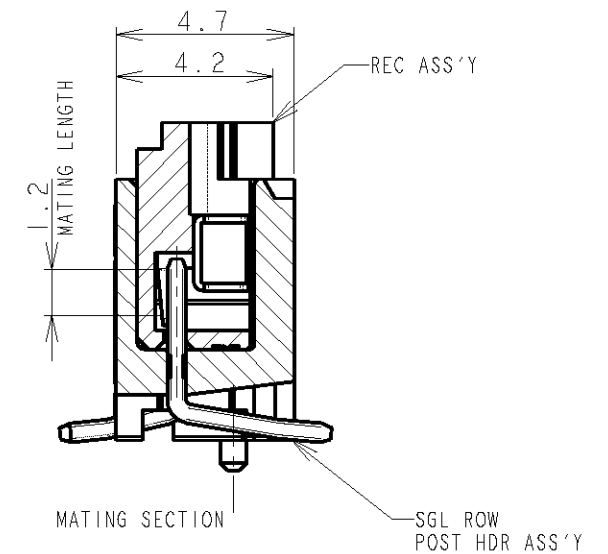
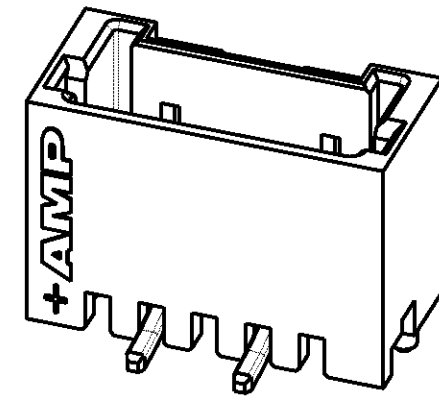
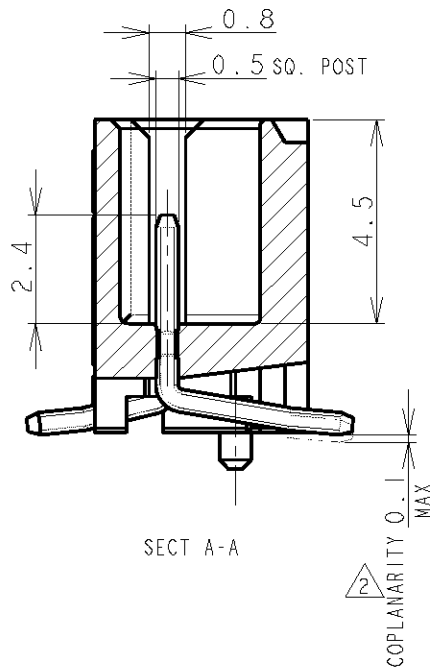
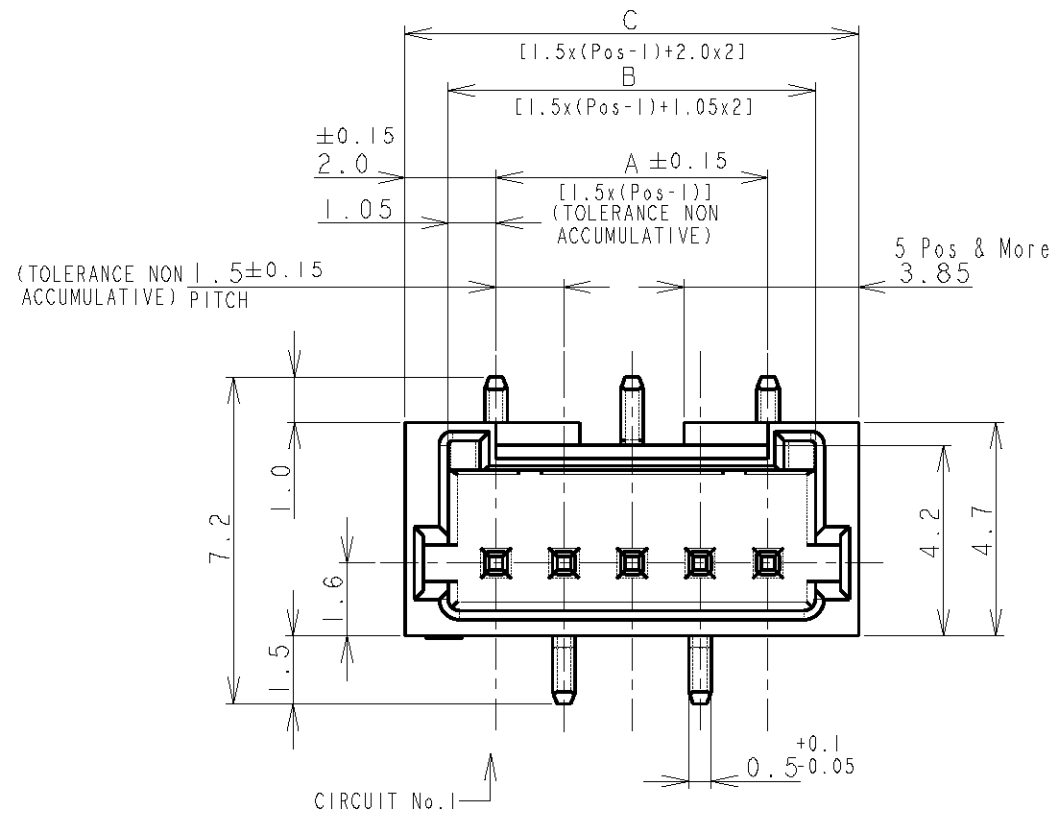
DIMENSIONS: mm		DWN		MATERIAL		FINISH	
TOLERANCES UNLESS OTHERWISE SPECIFIED:		CHK		 Tyco Electronics Corporation SHANGHAI, CHINA			
0 PLC ±-		APVD					
1 PLC ±0.1		PRODUCT SPEC		NAME AMP Mini Common Terminated (CT) Connector 1.5mm PITCH			
2 PLC ±0.01		SEE SHEET 1 OF 4		SINGLE ROW POST HDR ASS'Y (V)			
3 PLC ±0.001		APPLICATION SPEC		SMT TYPE WITH BOSS, EMBOSS TAPE PACKAGED			
4 PLC ±0.0001		SEE SHEET 1 OF 4		SIZE	CAGE CODE	DRAWING NO	RESTRICTED TO
ANGLES ±-		WEIGHT		A4	00779	G-292230	-
		CUSTOMER DRAWING		SCALE NON		SHEET 2 OF 4	

THIS DRAWING IS UNPUBLISHED.

RELEASED FOR PUBLICATION

© COPYRIGHT BY TYCO ELECTRONICS CORPORATION. ALL RIGHTS RESERVED.

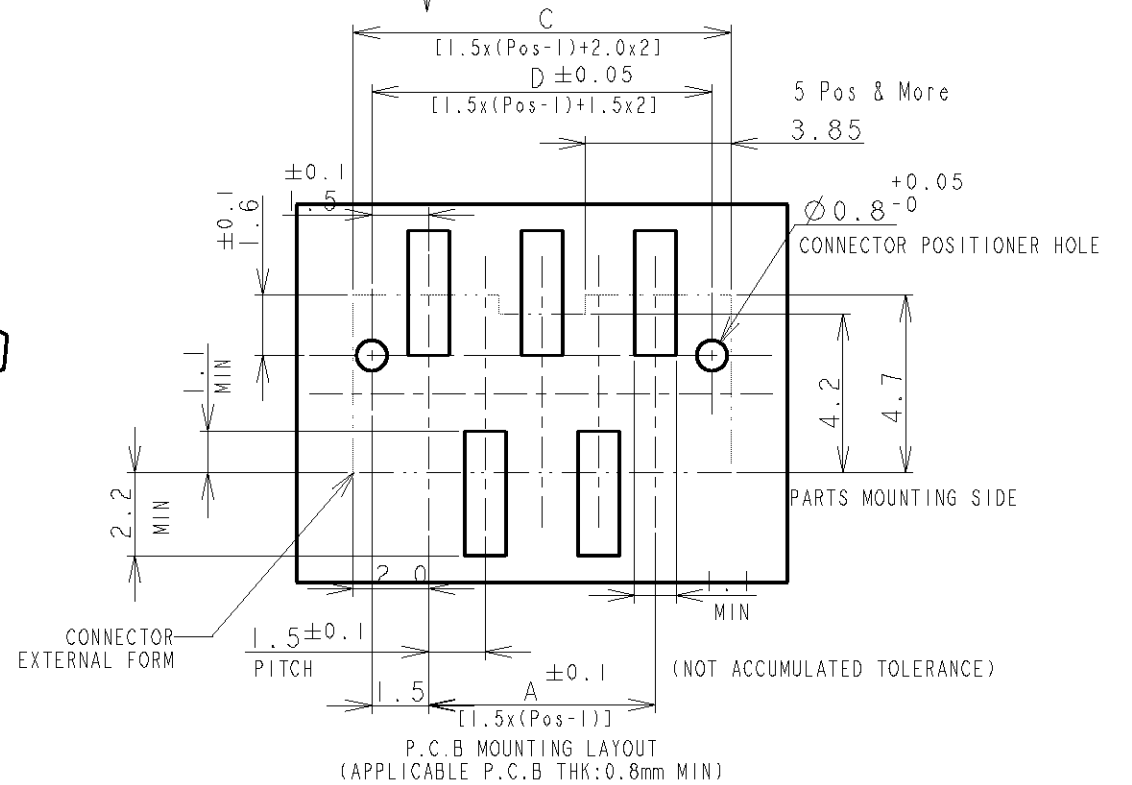
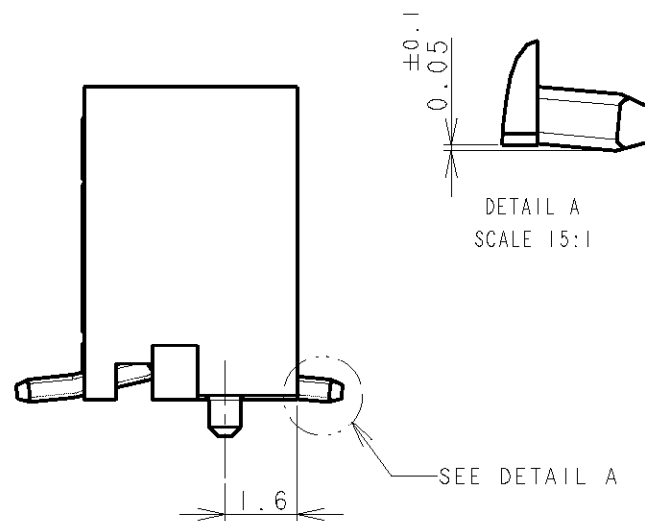
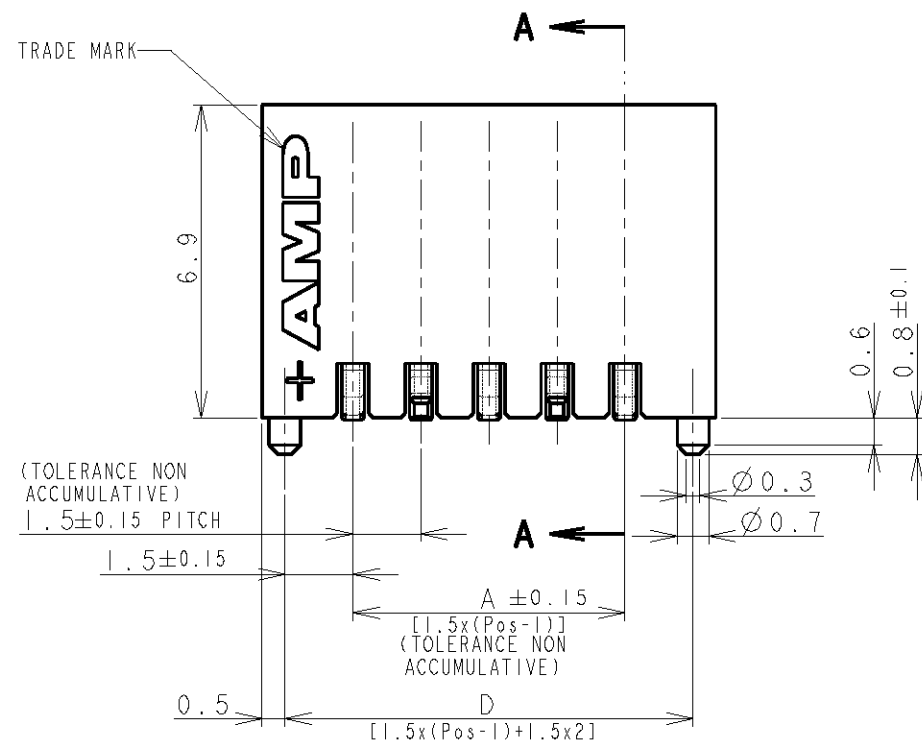
LOC	DIST	REVISIONS			
P	LTR	DESCRIPTION	DATE	DWN	APVD
FB	00	SEE SHEET 1			



CIRCUIT No. 1

MATING SECTION

SGL ROW POST HDR ASS'Y



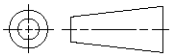
NOTES:
 1. MATERIAL:
 HOUSING: GLASS FILLED, HIGH HEAT RESISTANT NYLON, UL94V-0, COLOR: BEIGE OR BLACK
 POST: Sn-100% BRASS WIRE
 TO BE MEASURED WITH CONNECTOR PLACED ON HORIZONTAL DATUM SURFACE,
 FLOAT OF SOLDER TINE FROM DATUM SURFACE IS 0.1mm MAX.

<small>THIS DRAWING IS A CONTROLLED DOCUMENT FOR TYCO ELECTRONICS CORPORATION IT IS SUBJECT TO CHANGE AND THE CONTROLLING ENGINEERING ORGANIZATION SHOULD BE CONTACTED FOR THE LATEST REVISION.</small>		DWN	tyco Electronics		Tyco Electronics Corporation Shanghai, P.R.China, 200233
DIMENSIONS: mm		CHK	NAME		
TOLERANCES UNLESS OTHERWISE SPECIFIED: 0 PLC ± 1 PLC ± 2 PLC ± 3 PLC ± 4 PLC ± ANGLES ±		APVD	AMP MINI COMMON TERMINATION (CT) CONNECTOR 1.5 mm PITCH SINGLE ROW POST HDR ASS'Y (V) SMT TYPE WITH BOSS		
MATERIAL SEE NOTE 1		PRODUCT SPEC	SIZE	CAGE CODE	DRAWING NO
FINISH SEE NOTE 1		APPLICATION SPEC	A3	00779	C-292230
WEIGHT CUSTOMER DRAWING		RESTRICTED TO	SCALE NON SHEET 3 OF 4 REV B		

LOC	DIST	REVISIONS					
FB	00	P	LTR	DESCRIPTION	DATE	DWN	APVD
		-		SEE SHEET 1	-	-	-

0.98	31.5	32.5	30.6	28.5	20	7-292230-0	2-292230-0
0.93	30.0	31.0	29.1	27.0	19	6-292230-9	1-292230-9
0.89	28.5	29.5	27.6	25.5	18	6-292230-8	1-292230-8
0.84	27.0	28.0	26.1	24.0	17	6-292230-7	1-292230-7
0.80	25.5	26.5	24.6	22.5	16	6-292230-6	1-292230-6
0.75	24.0	25.0	23.1	21.0	15	6-292230-5	1-292230-5
0.71	22.5	23.5	21.6	19.5	14	6-292230-4	1-292230-4
0.66	21.0	22.0	20.1	18.0	13	6-292230-3	1-292230-3
0.62	19.5	20.5	18.6	16.5	12	6-292230-2	1-292230-2
0.57	18.0	19.0	17.1	15.0	11	6-292230-1	1-292230-1
0.52	16.5	17.5	15.6	13.5	10	6-292230-0	1-292230-0
0.48	15.0	16.0	14.1	12.0	9	5-292230-9	292230-9
0.43	13.5	14.5	12.6	10.5	8	5-292230-8	292230-8
0.39	12.0	13.0	11.1	9.0	7	5-292230-7	292230-7
0.34	10.5	11.5	9.6	7.5	6	5-292230-6	292230-6
0.30	9.0	10.0	8.1	6.0	5	5-292230-5	292230-5
0.25	7.5	8.5	6.6	4.5	4	5-292230-4	292230-4
0.20	6.0	7.0	5.1	3.0	3	5-292230-3	292230-3
0.17	4.5	5.5	3.6	1.5	2	-	-
WEIGHT (g)	D	C	B	A	Pos.	BLACK	BEIGE (NAT)
	DIMENSIONS					P/N	

THIS DRAWING IS UNPUBLISHED. ALL RIGHTS RESERVED. BY TYCO ELECTRONICS CORPORATION. © COPYRIGHT

DIMENSIONS: mm	DWN	MATERIAL	FINISH
TOLERANCES UNLESS OTHERWISE SPECIFIED:	CHK	SEE SHEET 1	SEE SHEET 1
0 PLC ±	APVD	tyco Electronics Tyco Electronics Corporation Shanghai, P.R.China, 200233	
1 PLC ±	PRODUCT SPEC	NAME AMP MINI COMMON TERMINATED (CT) CONNECTOR 1.5 mm PITCH SINGLE ROW POST HDR ASS'Y (V) SMT TYPE WITH BOSS	
2 PLC ±	APPLICATION SPEC	SIZE	CAGE CODE
3 PLC ±	WEIGHT	A 4	00779
4 PLC ±		DRAWING NO	RESTRICTED TO
ANGLES ±		C-292230	
	CUSTOMER DRAWING	SCALE	SHEET 4 OF 4
		NON	REV B