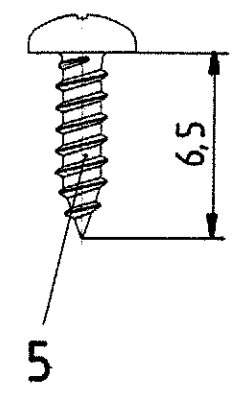
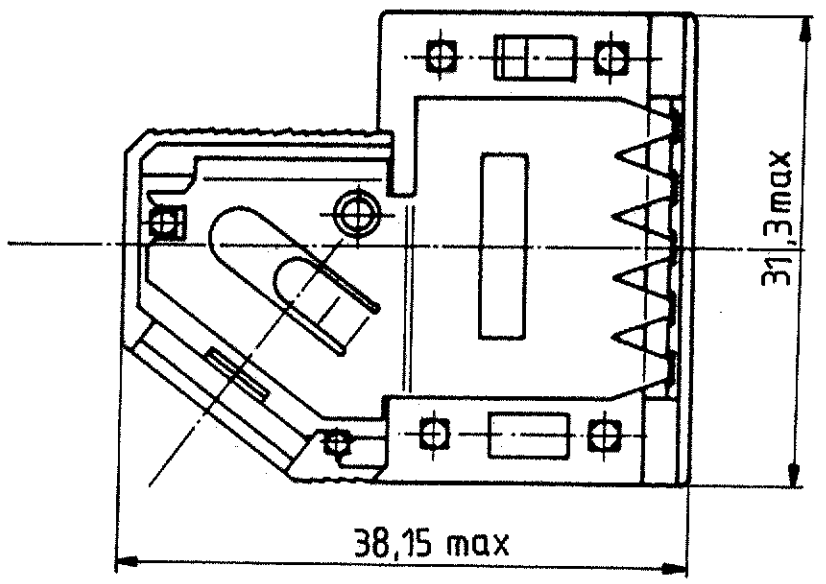
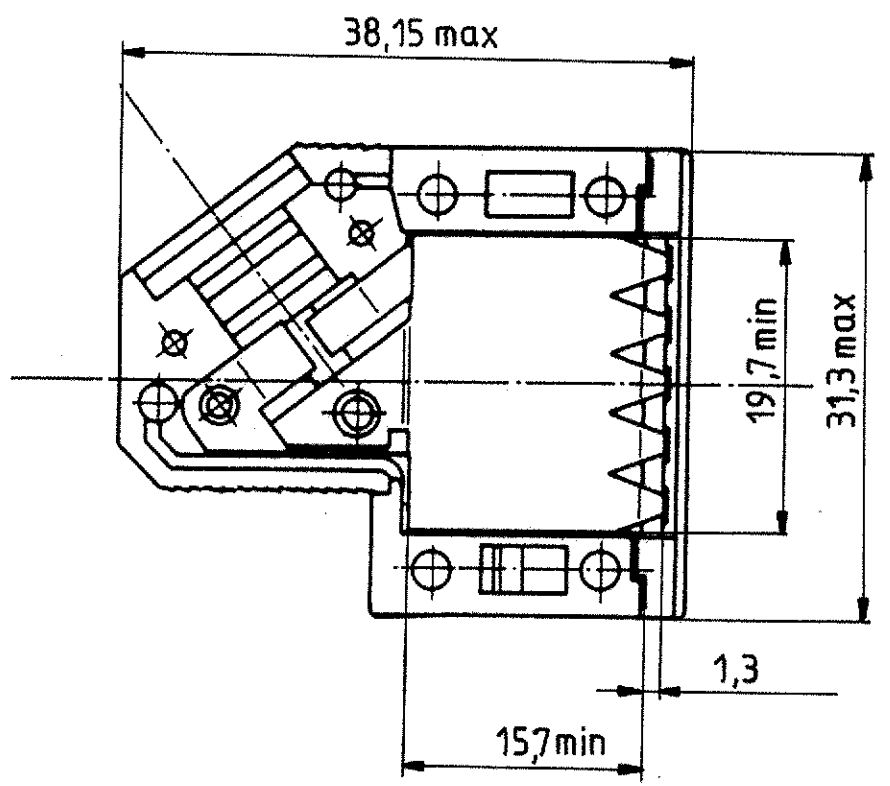
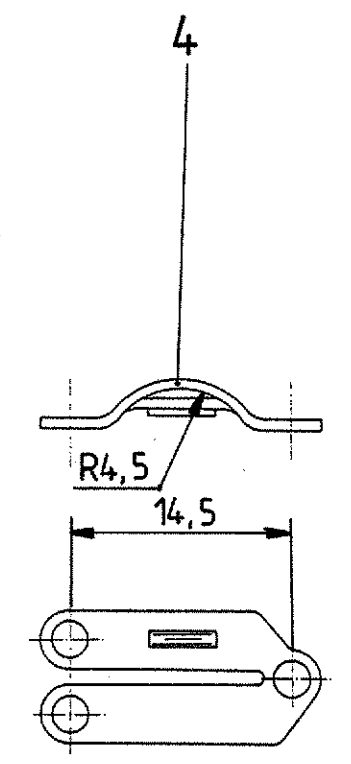
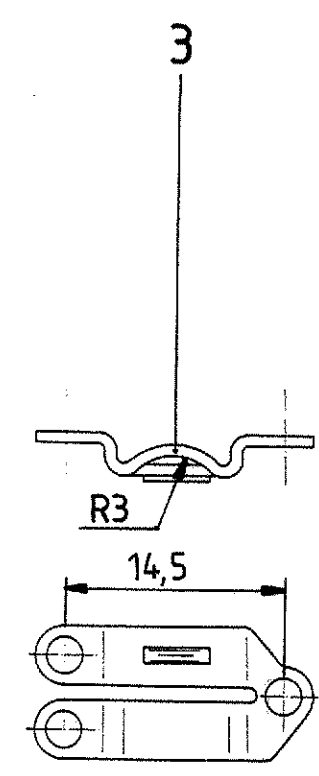
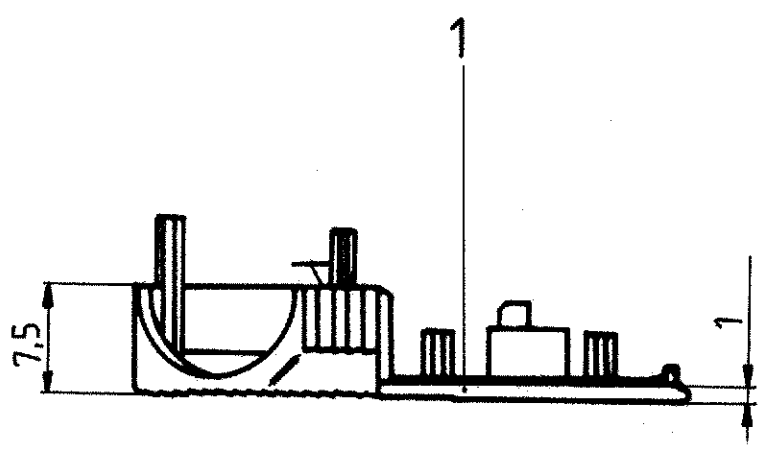
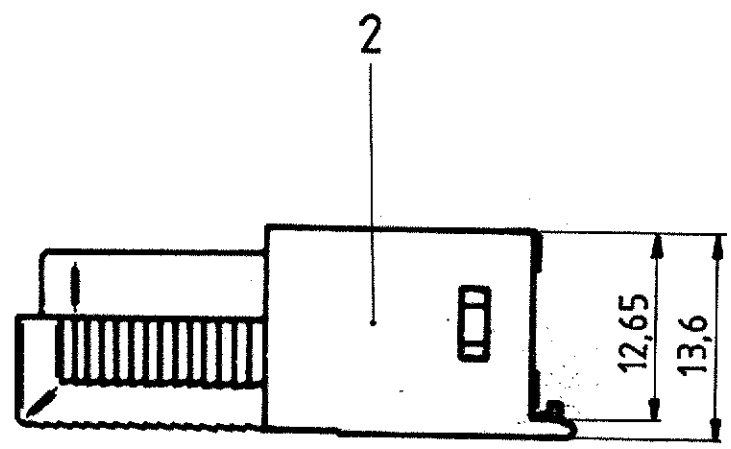


Sin nuestra autorización, queda terminantemente prohibida la reproducción total o parcial de este documento, así como su uso indebido y/o su exhibición o comunicación a terceros. De los infractores se exigirá el correspondiente resarcimiento de daños y perjuicios. Se reserva todos los derechos para el caso de la concesión de patente de invención o el registro de Modelo Industrial.

Weitergabe sowie Vervielfältigung dieser Unterlage, Verwertung und Mitteilung ihres Inhalts sind nicht gestattet, soweit nicht ausdrücklich zugestanden. Zuwiderhandlungen verpflichten zu Schadenersatz. Alle Rechte für den Fall der Patenterteilung oder GM-Eintragung vorbehalten.

Copying of this document, and giving it to others and the use or communication of the contents thereof, are forbidden without express authority. Offenders are liable to the payment of damages. All rights are reserved in the event of the grant of a patent or the registration of a utility model or design.



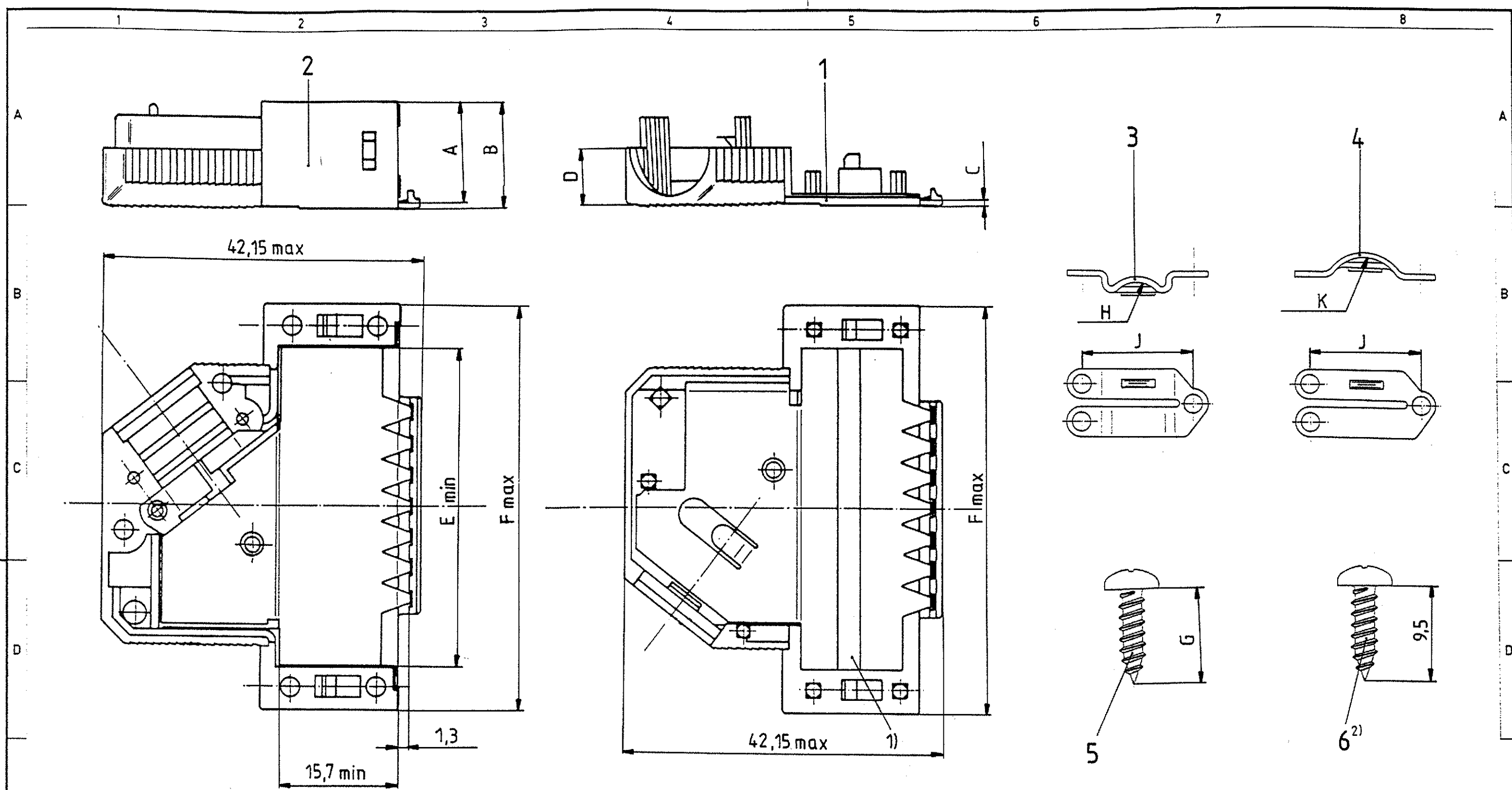
P/N 9 contacts version: V42254-A6000-G*09

				Maßstab	
				D-Sub housing shielded 9 contacts	
				V42254-A6000-G***-*-27	
				customer drawing number: C 1393738-1	
				page 1+	
				of 6	
				tyco Electronics	
				Datum: 30.08.88 Bearb: De Petter Geor: PD Com P&SE	
				A1 SR10-0493-02 21 NOV 02 KV Norm	
				A W000/7013 03.07.00 KV	
				02 WB 89/176 27.06.89 VH	
				01 22.09.88	
				51 30.08.88	
				Zust: Mitteilung Datum Name	

Con questa versione autoriscaldamento, queda formalmente proibito da la riproduzione total o parcial de este documento, así como su uso indebido y/o su exhibición o comunicación a terceros. De los infractores se exigirá el correspondiente resarcimiento de daños y perjuicios. Se reserva todos los derechos para el caso de la creación de patente de invención o el registro de Modelo Industrial.

Weitergabe sowie Vervielfältigung dieses Unterbauelementes, Verweidung und Mitteilung dieses Bauelementes ist ausdrücklich untersagt, soweit nicht ausdrücklich zugestanden. Zuwiderhandlungen verpflichten zu Schadenersatz. Alle Rechte für den Fall der Patenterteilung oder GM Untertagung vorbehalten.

Copying of this document and giving it to others and the use or communication of the contents thereof are forbidden without express authority. Offenders are liable to the payment of damages. All rights are reserved in the event of the grant of a patent or the registration of a utility model or design.



housing		dimension									
P/N	No. of contacts	A	B	C	D	E	F	G	H	J	K
V42254-A6000-											
G × 15	15					28	39,62		R3	14,5	R4,5
G × 25	25	13	14	1	7,5	41,8	53,52	6,5	R4	16	R5,5
G × 37	37					58,25	69,8				
G × 50	50	16	17,5	1,5	9,5	55,78	67,41	9,5	R5,5	20,6	R7

2) only for the 37 contacts version
 1) tape only for the 15 to 37 contacts versions
 drawn is the 25 contacts version

		Maßstab	
		D-Sub housing shielded 15 to 50 contacts	
Datum: 30.08.88			
Bearb: De Petter			
Gedr: PD Com P&SE			
A1 SR10-0493-02 21 NOV 02 KV		Norm:	
A WO00/7013 03.07.00 KV			
02 WB 89/176 27.06.89 VH			
01 22.09.88			
51 30.08.88			
tyco		V42254-A6000-G***-27	
Electronics		customer drawing number: C 1393738-1	
		page 2+	
		of 6	

V 4 2 2 5 4 - A 6 0 0 * - G * * *

Housing type
G plastic housing, shielded

Marking and colour of the housing
1 tyco-marking, grey
2 without marking, grey
3 tyco-marking, black
4 without marking, black

wire diameter	0	1	2	3	4 ³⁾	No. of contacts - housing size
	4-8	4-6	6-8		4-8	
5-10	5-8	8-10		5-10	15	15 contacts - housing size 2
5-11	5-8,5	8,5-1		5-11	25	25 contacts - housing size 3
6-11	6-8	8-10	10-11	6-11	37	37 contacts - housing size 4
9-14,5	9-12	12-14,5		9-14,5	50	50 contacts - housing size 5

Packaging
set 1) 200 2) 200 2) 200 2) 200 2)
1) per set, in blister
- 9 and 15 contacts : 25
- 25, 37 and 50 contacts : 15
2) loose pieces, in cardboard : 200
3) only for : - V42254-A6004-G1**
- V42254-A6004-+4**



Tyco Electronics Corporation
Oostkamp - Belgium



LOC DIMENSIONS IN MM
GW

SCALE WEIGHT

MATERIAL

DATE	30.08.88
NAME	De Petter
DEP.	PD Com P&SE
EC	
TOLERANCE UNLESS SPECIFIED OTHERWISE	
REV.	CHANGE ORDER
DATE	APP.

NAME
D-Sub Housing
shielded
DWG NO.
V42254-A6000-G***-*-27
SHT. 3+
OF 6

customer drawing number: C 1393738-1

THIS INFORMATION IS CONFIDENTIAL AND PROPRIETARY TO TYCO ELECTRONICS CORPORATION AND ITS WORLDWIDE SUBSIDIARIES AND AFFILIATES. IT MAY NOT BE DISCLOSED TO ANYONE, OTHER THAN TYCO ELECTRONICS PERSONEL, WITHOUT WRITTEN AUTHORIZATION FROM TYCO ELECTRONICS CORPORATION, HARRISBURG, PENNSYLVANIA USA.

PROPRIETARY:

1

2

3

4

A

Active part numbers. Contact Tyco Electronics for other configuration availability

B

Old Part Number	Tyco Part Number
V42254-A6000-G109	1393738-1
V42254-A6000-G115	1393738-2
V42254-A6000-G125	1393738-3
V42254-A6000-G137	1393738-4
V42254-A6000-G150	1393738-5
V42254-A6000-G209	1393738-6
V42254-A6000-G309	1393738-7
V42254-A6000-G315	1393738-8
V42254-A6000-G325	1393738-9
V42254-A6001-G109	4-1393738-2
V42254-A6001-G125	4-1393738-4
V42254-A6001-G309	4-1393738-5
V42254-A6001-G315	4-1393738-6
V42254-A6002-G109	5-1393738-0
V42254-A6002-G125	5-1393738-2
V42254-A6003-G137	5-1393738-7
V42254-A6004-G109	5-1393738-9
V42254-A6004-G115	6-1393738-0
V42254-A6004-G125	6-1393738-1
V42254-A6004-G137	6-1393738-2
V42254-A6004-G150	6-1393738-3
V42254-A6004-G209	6-1393738-4
V42254-A6004-G215	6-1393738-5
V42254-A6004-G225	6-1393738-6
V42254-A6004-G309	1-1393739-9
V42254-A6004-G315	6-1393738-7
V42254-A6004-G325	2-1393739-0
V42254-A6004-G337	2-1393739-1
V42254-A6004-G350	2-1393739-2
V42254-A6004-G409	6-1393738-8
V42254-A6004-G415	6-1393738-9
V42254-A6004-G437	7-1393738-1

C

D

E



Tyco Electronics Corporation
Oostkamp - Belgium



LOC DIMENSIONS
GW IN MM

SCALE

WEIGHT

MATERIAL

DATE 30.08.88

NAME De Petter

DEP. PD Com P&SE

EC

TOLERANCE UNLESS SPECIFIED OTHERWISE

NAME
D-Sub Housing

shielded

DWG NO.

SHT. 4+

V42254-A6000-G***-*-27

A1 SEE SHEET 1.

REV. CHANGE ORDER DATE APP. Customer Drawing: C 1393738-1

OF 6

1

2

3

4

F

THIS INFORMATION IS CONFIDENTIAL AND PROPRIETARY TO TYCO ELECTRONICS CORPORATION AND ITS WORLDWIDE SUBSIDIARIES AND AFFILIATES. IT MAY NOT BE DISCLOSED TO ANYONE, OTHER THAN TYCO ELECTRONICS PERSONEL, WITHOUT WRITTEN AUTHORIZATION FROM TYCO ELECTRONICS CORPORATION, HARRISBURG, PENNSYLVANIA USA.

PROPRIETARY:

PROPRIETARY: THIS INFORMATION IS CONFIDENTIAL AND PROPRIETARY TO TYCO ELECTRONICS CORPORATION AND ITS WORLDWIDE SUBSIDIARIES AND AFFILIATES. IT MAY NOT BE DISCLOSED TO ANYONE, OTHER THAN TYCO ELECTRONICS PERSONNEL, WITHOUT WRITTEN AUTHORIZATION FROM TYCO ELECTRONICS CORPORATION, HARRISBURG PENNSYLVANIA USA

V 4 2 2 5 4 - A 6 1 * * - L 1

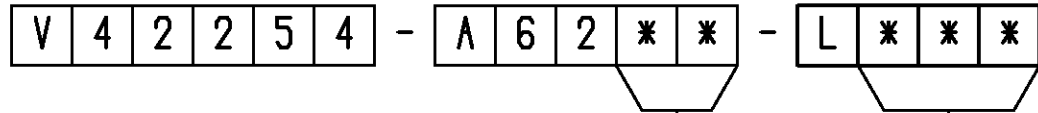
Technical data		
	contact tube outer diameter ±0.1	for shield braiding outer diameter
04	4	2.0 to 2.7
05	5	2.8 to 3.7
06	6	3.8 to 4.7
07	7	4.8 to 5.7
08	8	5.8 to 6.7
09	9	6.8 to 7.7
10	10	7.8 to 8.7
11	11	8.8 to 9.7
12	12	9.8 to 10.7
13	13	10.8 to 11.7
14	14	11.8 to 12.7
15	15	12.8 to 13.7

Active part numbers. Contact Tyco Electronics for other configuration availability

Old Part Number	Tyco Part Number
V42254-A6104-L1	3-1393561-2
V42254-A6105-L1	3-1393561-3
V42254-A6106-L1	3-1393561-4
V42254-A6107-L1	3-1393561-5
V42254-A6108-L1	3-1393561-6
V42254-A6109-L1	3-1393561-9
V42254-A6110-L1	4-1393561-0
V42254-A6111-L1	4-1393561-1
V42254-A6112-L1	4-1393561-2
V42254-A6113-L1	4-1393561-3
V42254-A6114-L1	4-1393561-4
V42254-A6115-L1	5-1393502-9

APPLICABLE SPEC.:				FINISH			
				DIMENSIONS APPLY		PLATING	
tyco		TYCO ELECTRONICS CORPORATION				SCALE	
Electronics		OOSTKAMP - BELGIUM		Loc GW		WEIGHT	
				DIMENSIONS IN MM		MATERIAL	
		DATE 30.08.88		NAME			
		NAME De Petter		D-Sub Housing			
		DEP. PD Com P&SE		accessories: contact tubes			
		EC		DWG NO.			
		TOLERANCE UNLESS SPECIFIED OTHERWISE		V42254-A6000-G***-*-27			
A1 SEE SHEET 1				SHT. 5+			
REV. CHANGE ORDER		DATE		APP. customer drawing number: C 1393738-1		OF 6	

PROPRIETARY: THIS INFORMATION IS CONFIDENTIAL AND PROPRIETARY TO TYCO ELECTRONICS CORPORATION AND ITS WORLDWIDE SUBSIDIARIES AND AFFILIATES. IT MAY NOT BE DISCLOSED TO ANYONE, OTHER THAN TYCO ELECTRONICS PERSONNEL, WITHOUT WRITTEN AUTHORIZATION FROM TYCO ELECTRONICS CORPORATION, HARRISBURG PENNSYLVANIA USA



		Technical Data	
		bushing inner diameter ±0.2	cable outer diameter
00	1) 2)	/	/
05	3)	5	4.2 to 4.9
06	3)	6	5.0 to 5.9
07	3)	7	6.0 to 6.9
08	3)	8	7.0 to 7.9
09	3)	9	8.0 to 8.9
10	2)	10	9.0 to 9.9
11	2)	11	10.0 to 10.9
12	4)	12	11.0 to 11.9
13	4)	13	12.0 to 12.9
14	4)	14	13.0 to 13.9
15	4)	15	14.0 to 14.9

	contacts	colour
1	9 to 37	grey
50	50	grey
100	9 to 37	black
150	50	black

Active part numbers. Contact Tyco Electronics for other configuration availability

Old Part Number	Tyco Part Number
V42254-A6200-L 1	4-1393561-5
V42254-A6200-L 50	4-1393561-6
V42254-A6200-L100	5-1393502-1
V42254-A6200-L150	5-1393502-2
V42254-A6205-L 1	4-1393561-7
V42254-A6205-L100	4-1393561-8
V42254-A6206-L 1	4-1393561-9
V42254-A6206-L100	5-1393561-0
V42254-A6207-L 1	5-1393561-1
V42254-A6207-L100	5-1393561-4
V42254-A6208-L 1	5-1393561-5
V42254-A6208-L100	5-1393561-6
V42254-A6209-L 1	5-1393561-7
V42254-A6209-L100	5-1393561-8
V42254-A6210-L 1	5-1393561-9
V42254-A6210-L 50	6-1393561-0
V42254-A6210-L100	6-1393561-1
V42254-A6210-L150	5-1393502-3
V42254-A6211-L 1	6-1393561-2
V42254-A6211-L 50	6-1393561-3
V42254-A6211-L100	5-1393502-4
V42254-A6211-L150	5-1393502-5
V42254-A6212-L 50	6-1393561-4
V42254-A6212-L150	5-1393502-6
V42254-A6213-L 50	6-1393561-5
V42254-A6213-L150	5-1393502-7
V42254-A6214-L 50	6-1393561-6
V42254-A6214-L150	5-1393502-8
V42254-A6215-L 50	8-1393501-5
V42254-A6215-L150	6-1393561-7

- 4) only for 50 contacts
- 3) only for 9 to 37 contacts
- 2) for 9 to 50 contacts
- 1) Blank bushing

APPLICABLE SPEC.:				FINISH				
				DIMENSIONS APPLY		PLATING		
tyco		TYCO ELECTRONICS CORPORATION				SCALE		WEIGHT
Electronics		OOSTKAMP - BELGIUM		Loc GW		DIMENSIONS IN MM		MATERIAL
DATE	30.08.88	NAME		De Petter				
DEP.	PD Com P&SE	NAME		D-Sub Housing				
EC				accessories: cable bushings				
TOLERANCE UNLESS SPECIFIED OTHERWISE				DWG NO.		SHT. 6-		
V42254-A6000-G***-*-27								
REV.	CHANGE ORDER	DATE	APP.	customer drawing number: C 1393738-1				OF 6