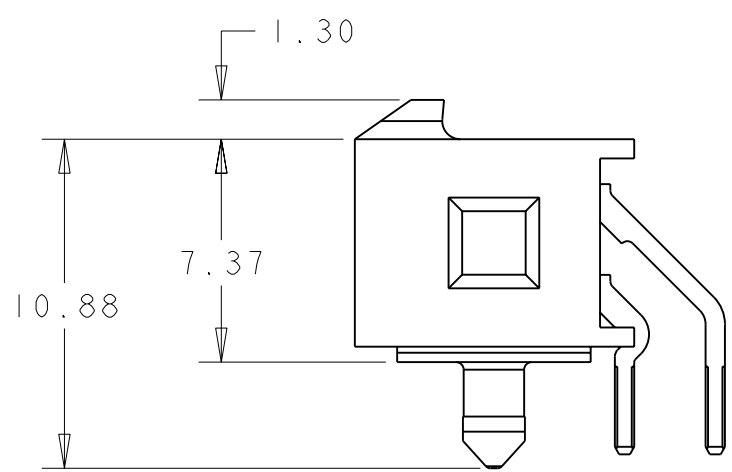
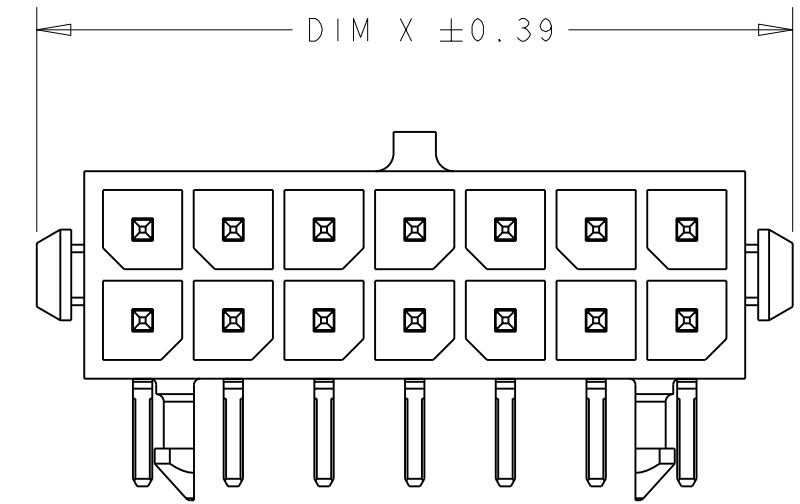
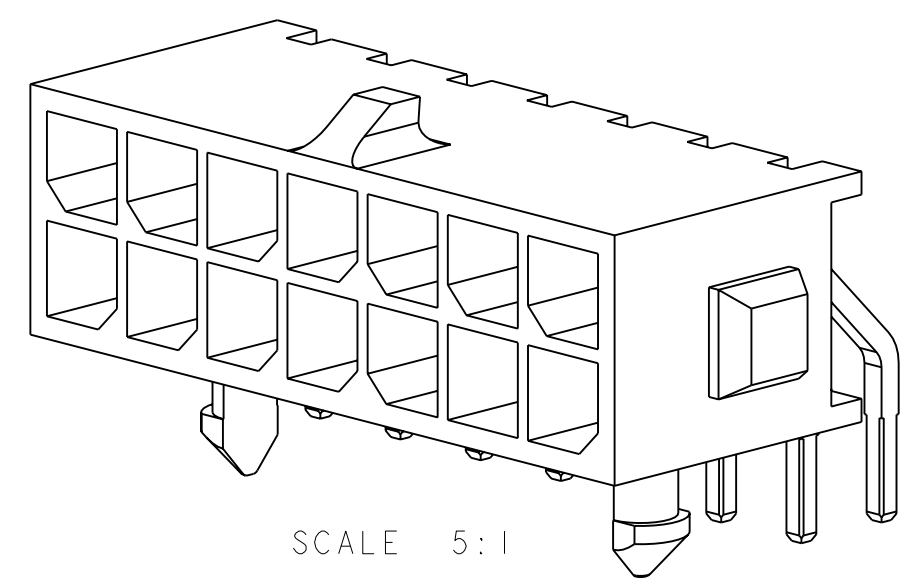
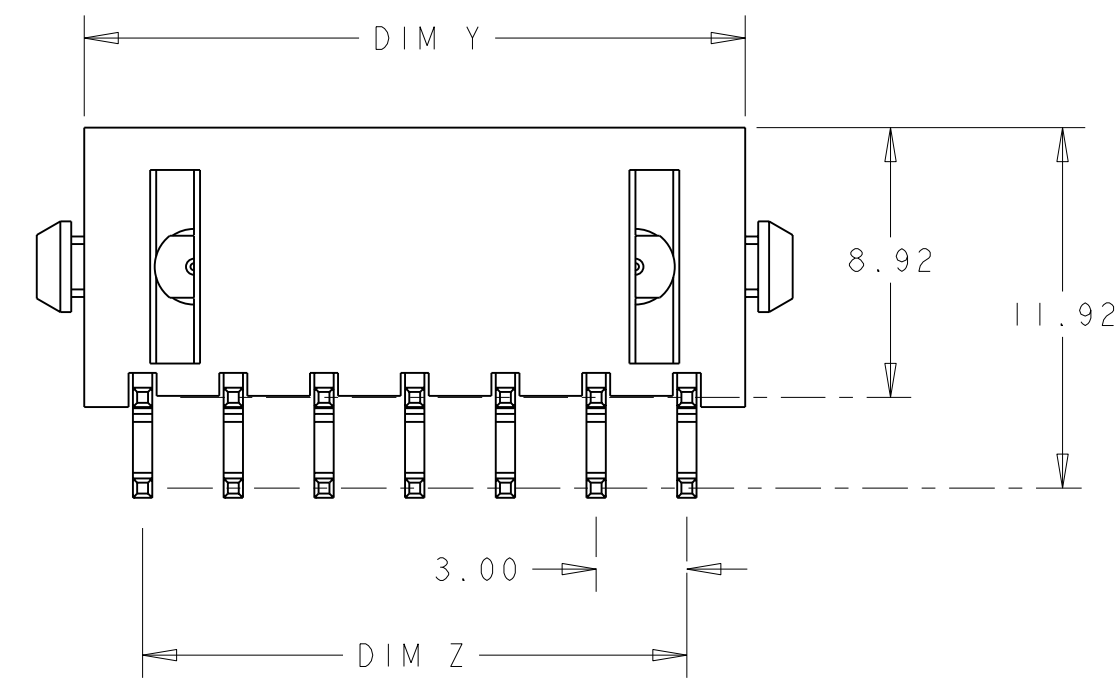


THIS DRAWING IS UNPUBLISHED. RELEASED FOR PUBLICATION 20
 © COPYRIGHT 20 BY TYCO ELECTRONICS CORPORATION. ALL RIGHTS RESERVED.

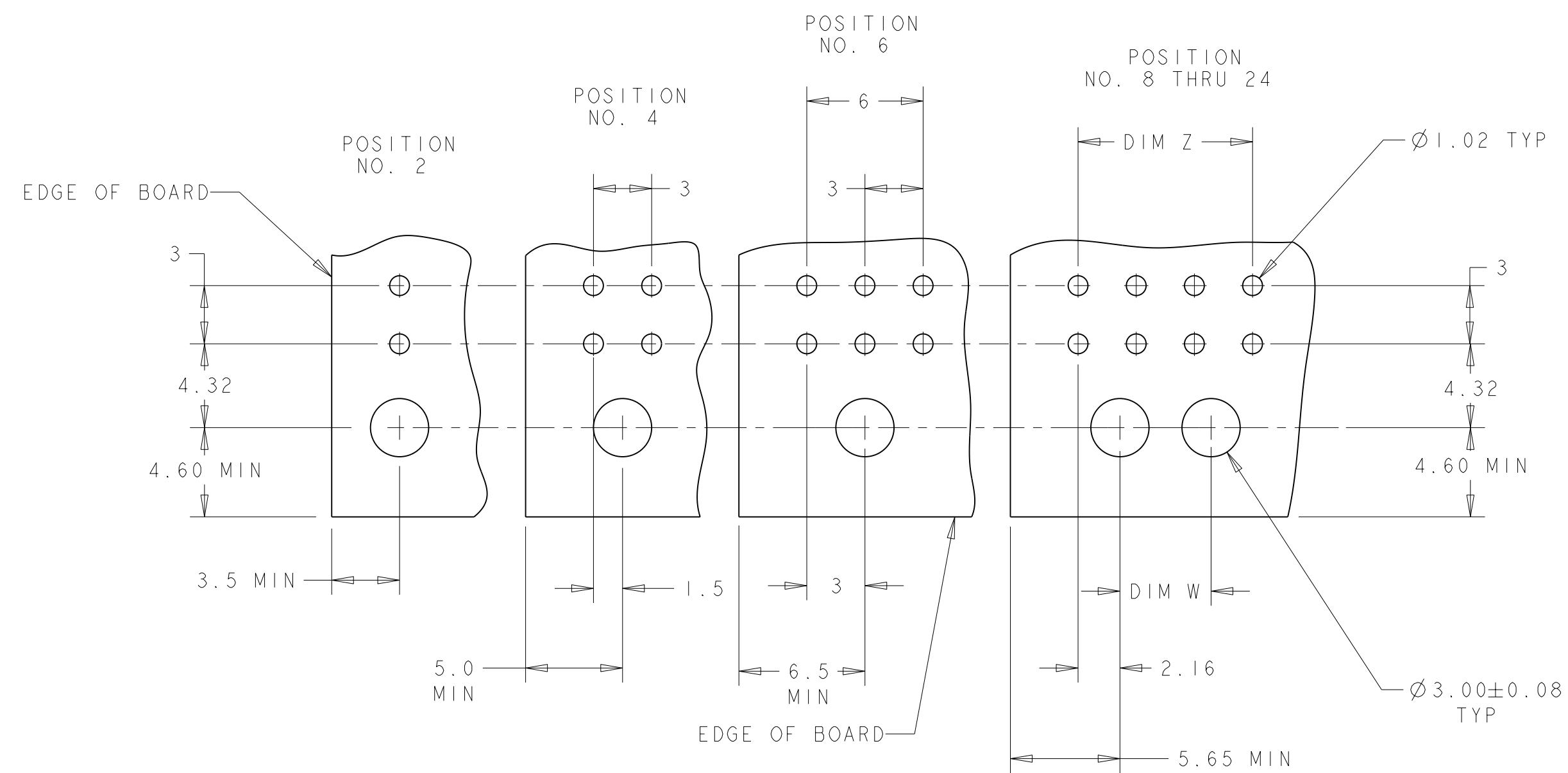
LOC		DIST		REVISIONS			
P	LTR	DESCRIPTION	DATE	DWN	APVD		
CM	00	E	REVISD PER EC 063B-0209-05	26-APR-05	KW	CJ	



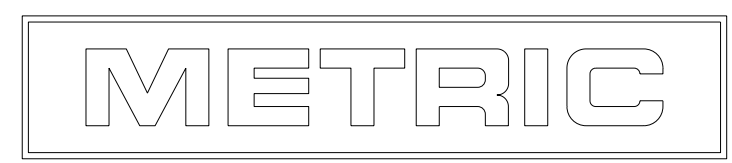
- 1 MATERIAL; CONTACTS - BRASS.
UL 94V-0 RATED HIGH TEMP NYLON, COLOR; BLACK.
- 2 PLATING; CONTACTS - 0.76µm MINIMUM GOLD OVER 2.54µm MINIMUM NICKEL ON MATING AREA.
2.54µm TIN-LEAD MINIMUM OVER 2.54µm NICKEL MINIMUM ON SOLDER TAILS.
- 4 RECOMMENDED PC BOARD THICKNESS OF 1.57.
- 5 PLATING; CONTACTS - 0.76µm MINIMUM GOLD OVER 2.54µm MINIMUM NICKEL ON MATING AREA.
2.54µm MATTE TIN MINIMUM OVER 2.54µm NICKEL MINIMUM ON SOLDER TAILS.



5	36.86	28.70	33.00	40.00	24	5-794620-4
5	33.86	25.70	30.00	37.00	22	5-794620-2
5	30.86	22.70	27.00	34.00	20	5-794620-0
5	27.86	19.70	24.00	31.00	18	4-794620-8
5	24.86	16.70	21.00	28.00	16	4-794620-6
5	21.86	13.70	18.00	25.00	14	4-794620-4
5	18.86	10.70	15.00	22.00	12	4-794620-2
5	15.86	7.70	12.00	19.00	10	4-794620-0
5	12.86	4.70	9.00	16.00	8	3-794620-8
5	9.86	-	6.00	13.00	6	3-794620-6
5	6.86	-	3.00	10.00	4	3-794620-4
5	3.86	-	-	7.00	2	3-794620-2
2	36.86	28.70	33.00	40.00	24	2-794620-4
2	33.86	25.70	30.00	37.00	22	2-794620-2
2	30.86	22.70	27.00	34.00	20	2-794620-0
2	27.86	19.70	24.00	31.00	18	1-794620-8
2	24.86	16.70	21.00	28.00	16	1-794620-6
2	21.86	13.70	18.00	25.00	14	1-794620-4
2	18.86	10.70	15.00	22.00	12	1-794620-2
2	15.86	7.70	12.00	19.00	10	1-794620-0
2	12.86	4.70	9.00	16.00	8	794620-8
2	9.86	-	6.00	13.00	6	794620-6
2	6.86	-	3.00	10.00	4	794620-4
2	3.86	-	-	7.00	2	794620-2
FINISH	DIM Y	DIM W	DIM Z	DIM X	NO. OF POSN.	PART NUMBER



RECOMMENDED PCB LAYOUT (COMPONENT SIDE)



<small>THIS DRAWING IS A CONTROLLED DOCUMENT FOR TYCO ELECTRONICS CORPORATION. IT IS SUBJECT TO CHANGE AND THE CONTROLLING ENGINEERING ORGANIZATION SHOULD BE CONTACTED FOR THE LATEST REVISION.</small>		DWN B. HAYMAKER 12AUG99 CHR K. COBLE 12AUG99 APVD K. COBLE 12AUG99	tyco Electronics AMP Incorporated Harrisburg, PA 17105-3608
DIMENSIONS: mm 	TOLERANCES UNLESS OTHERWISE SPECIFIED: 0 PLC ±. 1 PLC ±. 2 PLC ±0.13 3 PLC ±. 4 PLC ±. ANGLES ±	PRODUCT SPEC - APPLICATION SPEC - WEIGHT -	NAME THRU-HOLE, R/A, 30 GOLD HEADER, PLASTIC BOARDLOCK, DUAL ROW, MICRO MATE-N-LOK™ SIZE A2 CAGE CODE 00779 DRAWING NO. C=794620 RESTRICTED TO - CUSTOMER DRAWING SCALE 4:1 SHEET 1 OF 1 REV E