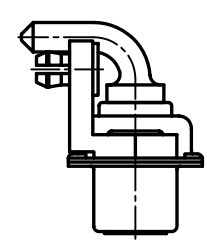
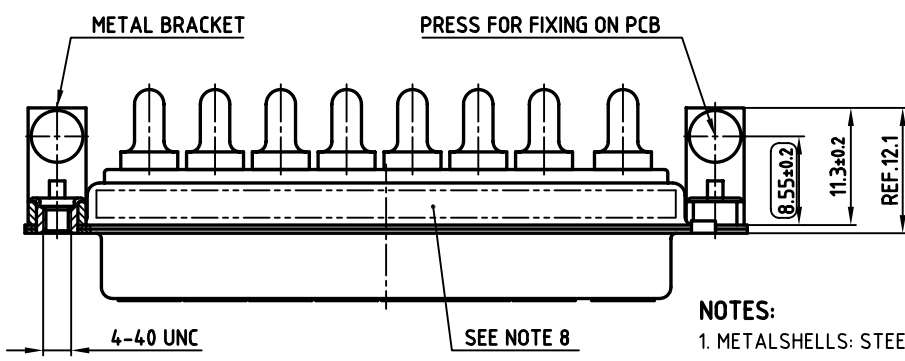
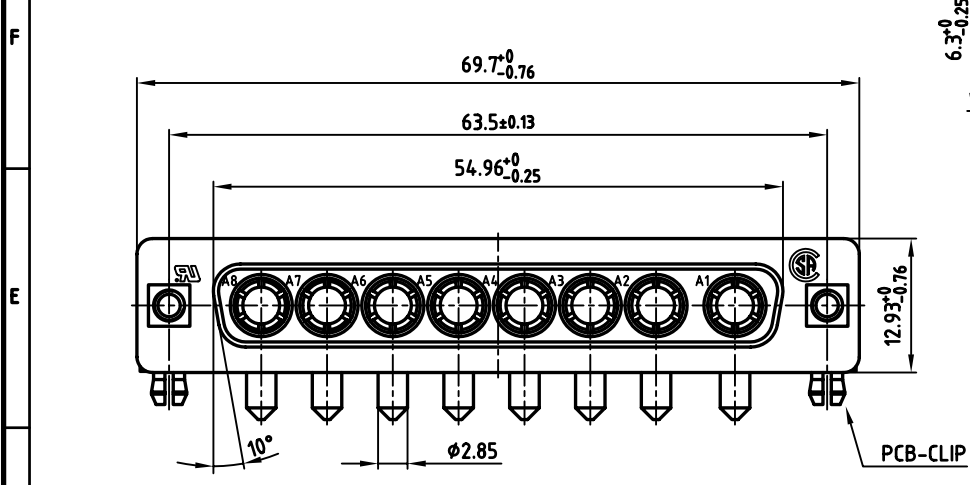
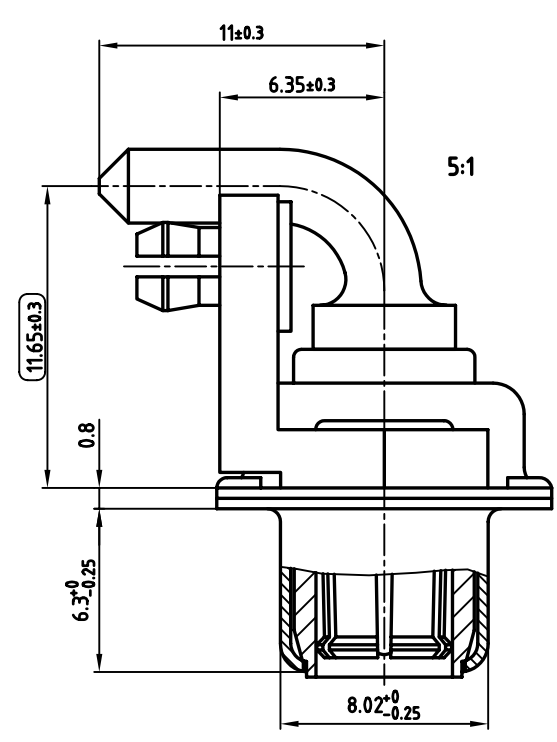


used for: D-SUB COMBINATION



- NOTES:**
- METALSHELLS: STEEL; min. 320µ" TIN
 - INSULATORS: PBT GF UL 94 V-0, GREEN
 - HIGH POWER CONTACTS 20A: COPPER ALLOY
PLATING: 30µ" HARD GOLD OVER min. 50µ" NICKEL
 - METAL BRACKET: STEEL; min. 320µ" TIN over 80µ" NICKEL
 - THREADED INSERT: COPPER ALLOY; min. 200µ" TIN over 80µ" NICKEL
 - PCB-SNAP: COPPER ALLOY; min. 200µ" TIN over 80µ" NICKEL
PCB-HOLE: $\phi 3.1 \pm 0.1$; PCB THICKNESS 1.6mm
 - MAXIMUM TORQUE VALUE FOR THREAD: 6" LBS
 - CONNECTOR IS PART MARKED: PART-NO. CONEC Y/WW
 - = CHECK DIMENSION

Directive 2002/95/EC
"RoHS"
Compliant

APPROVAL * FREIGABE * DEBLOCAGE * AUTORIZACION * APPROVAL	
CUSTOMER APPROVAL DATE:	
NAME:	TITLE:
COMPANY NAME:	
APPROVAL * FREIGABE * DEBLOCAGE * AUTORIZACION * APPROVAL	

THIS DRAWING MAY NOT BE COPIED OR REPRODUCED IN ANY WAY, AND MAY NOT BE PASSED ON TO A THIRD PARTY, WITHOUT WRITTEN PERMISSION. OWNERSHIP AND COPYRIGHT OF CONEC Gmbh DO NOT ALTER CAD DRAWING BY HAND

rev.	description	date	name

tolerance	dim. in mm	scale:	2:1 (5:1)
material:		material:	SEE NOTES
2003 date	name	title:	D-SUB COMBINATION FEMALE 90° 8W8S with threaded insert, metal bracket and clip
drawn 20.10.	Lehmenkühler	dwg no:	
appd. 20.10.	MMickenbecker		3 sh: 1/1
norm			
d-old			
CONEC		part no:	3008W8SXX56N40X