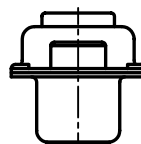
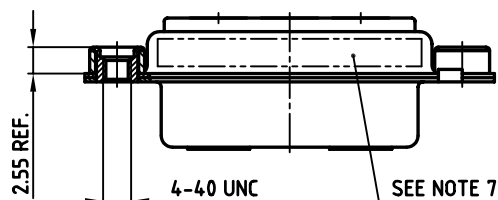
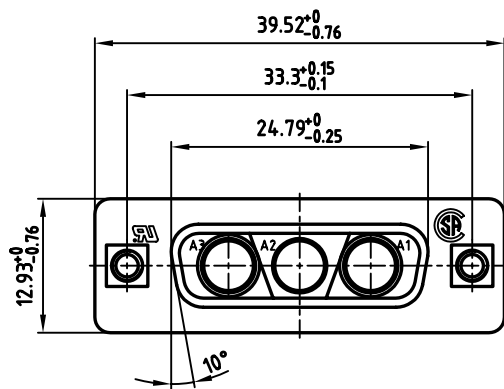
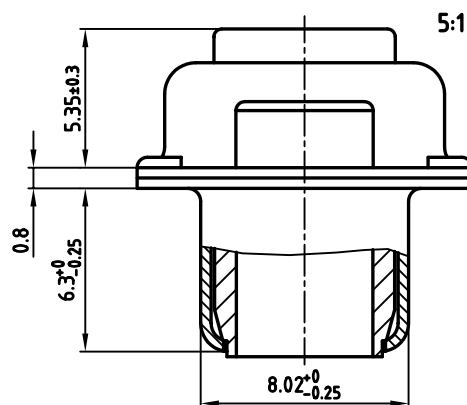


used for: D-SUB COMBINATION



**NOTES:**

1. METALSHELLS: STEEL; min. 320µ" TIN
2. INSULATORS: PBT GF UL 94 V-0, GREEN
3. NO CONTACTS ON POS. A1-A3
4. THREADED INSERT: COPPER ALLOY; min. 200µ" TIN over 80µ" NICKEL
5. COLLAR: COPPER ALLOY; min. 200µ" TIN over 80µ" NICKEL
6. MAXIMUM TORQUE VALUE FOR THREAD: 6" LBS
7. CONNECTOR IS PART MARKED: 303W3CSXX99A30X CONEC ABC
8. = CHECK DIMENSION

Directive 2002/95/EC  
RoHS  
Compliant

APPROVAL * FREIGABE * DEBLOCAGE * AUTORIZACION * APPROVAL	
CUSTOMER APPROVAL DATE:	
NAME:	TITLE:
COMPANY NAME:	
APPROVAL * FREIGABE * DEBLOCAGE * AUTORIZACION * APPROVAL	

THIS DRAWING MAY NOT BE COPIED OR REPRODUCED IN ANY WAY, AND MAY NOT BE PASSED ON TO A THIRD PARTY, WITHOUT WRITTEN PERMISSION. OWNERSHIP AND COPYRIGHT OF CONEC GmbH. DO NOT ALTER CAD DRAWING BY HAND

rev.	description	date	name
a	Origin		

tolerance			dim. in mm
2006	date		
drawn	09.02.	name	
appd.	09.02.	Mickenbecker	
norm			
d-old			

scale: 2:1 (5:1)	
material: SEE NOTES	
title: D-SUB COMBINATION FEMALE 3W3CS with threaded insert	
dwg no: AutoCAD 2004	DIN-A
13K1A1716	3
sh: 1/1	
part no: 303W3CSXX99A30X	

